

BLOCK

LIT - DIFFUSE

BLK-L-DF

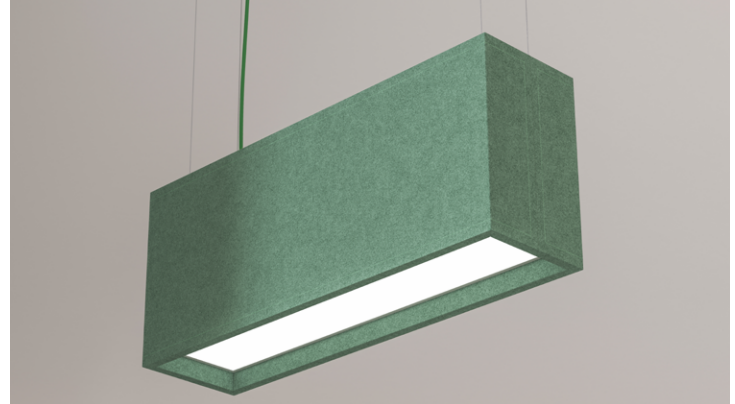
DATE	PROJECT	CATALOG #	FIXTURE TYPE
------	---------	-----------	--------------

OVERVIEW

BLOCK can do it all. The lightweight structure is crafted entirely from recycled PET acoustic material, utilizing custom cuts and folds meticulously engineered by Sabin. This design ensures full recyclability at the product's end of life. With a production and shipping time as quick as two weeks, BLOCK, both lit and unlit, is a great choice for arrays and cloud configurations within any project constraint.

QUICK FACTS

- Direct, indirect, or bidirectional light output
- Available in 2700 / 3000 / 3500 / 4000 CCT at 90+ Color Rendering Index (CRI)
- Length/width in preset dimensions ranging from 13 x 13 IN to 48 x 24 IN
- Custom heights between 8 - 36 IN
- Optional integration of motion sensors, Wi-Fi, and/or speakers
- Quick ship in 2 weeks
- NRC rating of .85+



SPECIFICATIONS

SERIES	LENGTH/WIDTH ¹	HEIGHT ¹	DIRECT OUTPUT/SIZE						
BLK-L-DF	13" X 13" (321 MM X 321 MM) 24" X 13" (621 MM X 321 MM) 48" X 13" (1231 MM X 321 MM) 24" X 24" (621 MM X 621 MM) 48" X 24" (1231 MM X 621 MM)	12" (300 MM) 24" (600 MM) 30" (750 MM) 36" (925 MM) CH___ ²	DLP	1000 LM	2000 LM	3000 LM	3000 LM	4000 LM	
			DMP	1500 LM	2250 LM	4000 LM	4000 LM	5000 LM	
			DHP	2000 LM	2500 LM	5000 LM	5000 LM	6000 LM	
INDIRECT OUTPUT ^{3,4}		CRI/CCT	CIRCUIT		CONTROL	VOLTAGE	FELT COLOR (9 MM)		
INA	NO OUTPUT	927K	SC	SINGLE CIRCUIT	10	0-10V	9___	REPLACE "___" WITH DESIRED COLOR CODE FROM SWITCHES	
I750	750 LM	930K	DC	DUAL CIRCUIT (SHARED DIMMING)		UNV	120/277V		
I1000	1000 LM	935K							
I1500	1500 LM	940K							
I3000	3000 LM								
CIO___	CUSTOM OUTPUT ⁵								
CORD COLOR ⁶		SUSPENSION TYPE		CEILING TYPE	CANOPY ⁹		FACTORY OPTIONS ¹⁰		
PC___	REPLACE "___" WITH DESIRED COLOR CODE FROM SWITCHES	AC___	60" AIRCRAFT CABLE + (COLOR CODE) ⁷	HC	HARD CEILING ⁸	RWH	ROUND WHITE	CSL___	CUSTOM SUSPENSION LENGTH 24" - 120" ¹¹
		ST___	60" STRAP + (COLOR CODE) ⁷	ST	STRUT	RBK	ROUND BLACK	EM	EMERGENCY BATTERY
		TRD	3/8" THREADED ROD	SG	STANDARD GRID	SWH	SQUARE WHITE	CT___	CUSTOM THREAD + (COLOR CODE) ⁷
		DT	DIRECT TO	TG	TEGULAR GRID	SBK	SQUARE BLACK	2CP	INCLUDE 2" CANOPIES
								FLT	SHIP FLAT ¹²
								CF	CENTER FEED
								BABA	BABA REQUIRED
								ATC	INCLUDE ATRIUM COVER ¹³

¹ IMPERIAL DIMENSIONS ARE NOMINAL. ACTUAL DIMENSIONS ARE METRIC.

² CUSTOM HEIGHTS AVAILABLE BETWEEN 8" - 36" (200 - 925MM).

³ ONLY AVAILABLE IN LAMBERTIAN DISTRIBUTION.

⁴ MINIMUM HEIGHT OF 19" (475 MM) FOR INDIRECT OUTPUT.

⁵ CONSULT FACTORY.

⁶ POWER CABLE IS 18" LONGER THAN SUSPENSION LENGTH. CONSULT FACTORY FOR LONGER LENGTHS.

⁷ REPLACE "___" WITH DESIRED COLOR CODE FROM SWITCHES.

⁸ NOT AVAILABLE IN DIRECT TO SUSPENSION TYPE.

⁹ 5" (127MM) CANOPY PROVIDED FOR FEED. 2" (50.8MM) CANOPY FOR NON-FEED PROVIDED UPON REQUEST.

¹⁰ LEAVE BLANK IF NOT APPLICABLE. STRING TOGETHER MULTIPLE SELECTIONS.

¹¹ REPLACE "___" WITH LENGTH OF DESIRED SUSPENSION.

¹² BY DEFAULT, FIXTURES WILL SHIP ASSEMBLED - SHIPPING FLAT WILL REDUCE SHIPPING VOLUME.

¹³ OPTIONAL ATRIUM COVER CAN BE INCLUDED IF FIXTURES WILL BE VISIBLE FROM ABOVE.

EXAMPLE CATALOG #: BLK-L-DF-13(321)-13(321)-30(750)-DHP-930K-SC-10-UNV-9JD-PCWH-ACBLK-HC-RWH-2CP-ATC

SABIN

© 2025 SABIN LLC. ALL RIGHTS RESERVED.
CUSTOMIZE AT SABIN.BUILD
DATE REVISED 09.17.2025



1

COLOR SWATCHES

BLK-L-DF

DATE	PROJECT	CATALOG #	FIXTURE TYPE
------	---------	-----------	--------------

FELT



POWER CORD



SUSPENSION STRAP



THREAD



AIRCRAFT CABLE

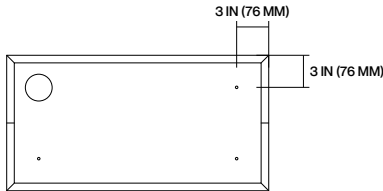


DIMENSIONS

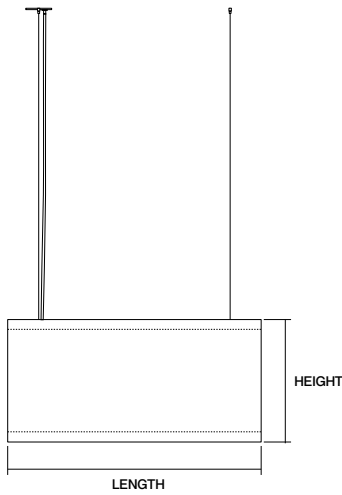
BLK-L-DF

DATE	PROJECT	CATALOG #	FIXTURE TYPE
------	---------	-----------	--------------

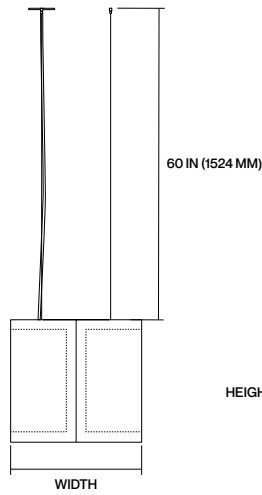
TOP



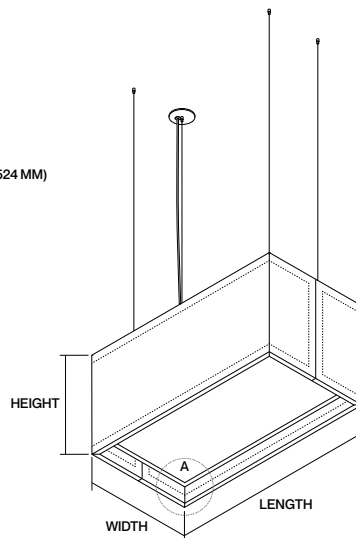
FRONT



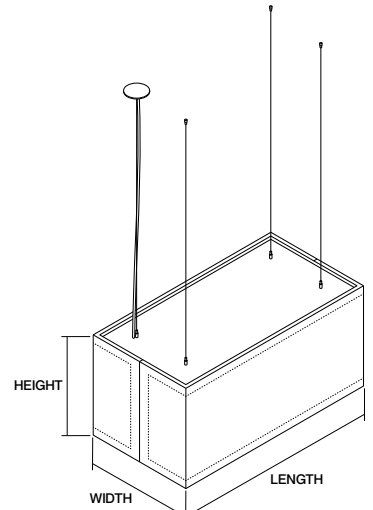
SIDE



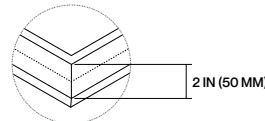
BOTTOM ISO



TOP ISO



BOTTOM



DETAIL A
LIGHT PANEL REGRESSED INTO FIXTURE

- 1 IMPERIAL DIMENSIONS ARE NOMINAL. ACTUAL DIMENSIONS ARE METRIC.
- 2 ALL STANDARD DIMENSIONS ARE ECO-CONSCIOUS, MAXIMIZING MATERIAL USE AND MINIMIZING WASTE. CUSTOM DIMENSIONS RESULT IN EXCESS MATERIAL WASTE.
- 3 PLEASE CONSULT THE FACTORY FOR WEIGHTS SPECIFIC TO CONFIGURATION.

ACOUSTIC PERFORMANCE

BLK-L-DF

TECHNICAL DATA

DATE	PROJECT	CATALOG #	FIXTURE TYPE
------	---------	-----------	--------------

BLOCK

ALL SABIN PRODUCTS ARE SUBJECT TO ACOUSTIC TESTING. PERFORMANCE VALUES WILL VARY BASED ON INSTALLATION FACTORS SUCH AS DENSITY AND MOUNTING HEIGHT.

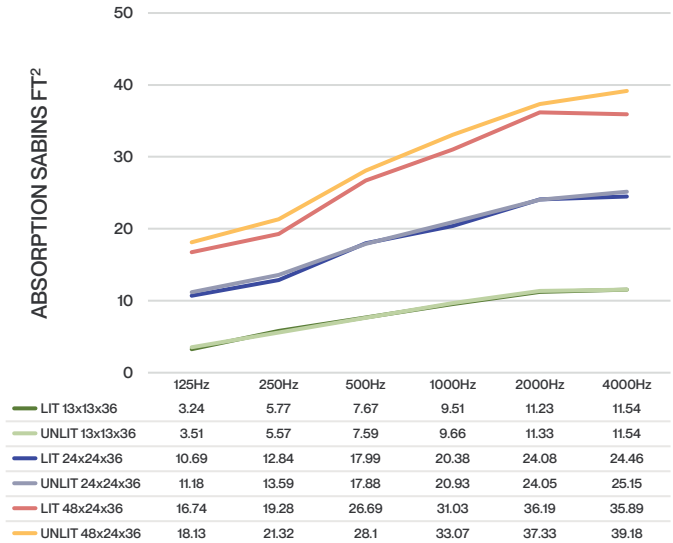
SABINS A SABIN IS A UNIT OF SOUND ABSORPTION DEFINED AS THE AMOUNT OF SOUND ABSORBED BY ONE SQUARE FOOT OF A PERFECT ABSORBER. IT WAS INITIALLY CONCEIVED AS THE EQUIVALENT OF 1 SQUARE FOOT OF OPEN WINDOW, REFLECTING NO SOUND BACK INTO THE INTERIOR. SABINS ARE USED TO EXPRESS THE TOTAL EFFECTIVE ABSORPTION FOR THE INTERIOR OF A ROOM. THIS CHART INDICATES AVERAGE SABINS PER UNIT AT THE NOTED FREQUENCIES WHICH REPRESENT THE TYPICAL RANGE OF HUMAN SPEECH OF 200-2500 HZ.

NRC NOISE REDUCTION COEFFICIENT (NRC) IS A SINGLE NUMBER VALUE RANGING FROM 0.0 TO 1.0 THAT DESCRIBES THE AVERAGE SOUND ABSORPTION PERFORMANCE OF A MATERIAL. AN NRC OF 0.0 INDICATES THE OBJECT DOES NOT ABSORB MID-FREQUENCY SOUND ENERGY, BUT REFLECTS IT. AN NRC OF 1.0 INDICATES THAT THE SOUND ABSORPTION PERFORMANCE OF THE MATERIAL IS EQUAL TO ITS SURFACE AREA (MEASURED IN UNITS SABIN), OR CONCEPTUALLY 100% SOUND ABSORPTION.

PROJECTED NRC = .95

TOTAL SOUND ABSORPTION WILL VARY BASED ON DESIGNED PRODUCT CONFIGURATION. SABIN TESTS ALL PRODUCTS IN MULTIPLE CONFIGURATIONS. PLEASE CONTACT SABIN OR YOUR LOCAL AGENT FOR MORE INFORMATION.

BLOCK
ACOUSTIC PERFORMANCE



LIGHTING PERFORMANCE

BLK-L-DF

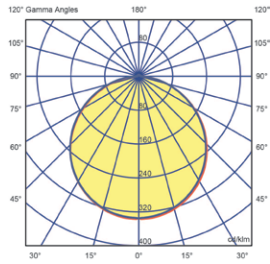
TECHNICAL DATA

DATE	PROJECT	CATALOG #	FIXTURE TYPE
------	---------	-----------	--------------

BLOCK

LIT - DIFFUSE

PHOTOMETRIC PLOTS



SIZES ALL
 WATTAGE 29.6 W
 LUMENS 3711.6 LM

DELIVERED LUMENS AND ENERGY USE

SIZE	OUTPUT (LUMENS)	DELIVERED (LUMENS)	ENERGY (WATTS)	EFFICACY (LPW)
13" X 13" (321 MM X 321 MM)	1000	1047	9.5	110.6
	1500	1515	14.2	107.0
	2000	1955	19.4	100.8
24" X 13" (621 MM X 321 MM)	2000	1971	18.1	109.0
	2250	2263	21.2	106.8
	2500	2632	25.4	103.8
48" X 13" (1231 MM X 321 MM)	3000	3340	24.8	134.6
	4000	3881	29.2	132.8
	5000	5055	39.7	127.2
24" X 24" (621 MM X 621 MM)	3000	3343	24.7	135.1
	4000	3862	29.0	133.0
	5000	5065	39.8	127.2
48" X 24" (1231 MM X 621 MM)	4000	3917	27.9	140.3
	5000	5213	38.5	135.4
	6000	6182	47.1	131.3

*Based on 3500k, ≥90CRI. Lumen output and wattage may vary +/-5%.

CCT MULTIPLIER

CCT	3000K		3500K		4000K		5000K	
CRI	80	90	80	90	80	90	80	90
MULTIPLIER	0.95	0.855	0.975	0.878	1	0.9	1.21	1.09

SABIN

© 2024 SABIN LLC. ALL RIGHTS RESERVED.
 CUSTOMIZE AT SABIN.BUILD
 DATE REVISED 09.17.2025



DATE	PROJECT	CATALOG #	FIXTURE TYPE
------	---------	-----------	--------------

ACOUSTIC MATERIAL

Our PET (polyester) felt panels contain minimum 60% post-consumer recycled polyester staple fiber. It is moisture resistant, fire rated, recyclable, and an outstanding absorber of acoustic energy.

- Fire retardant: ASTM E84 Class A, EN13501 Class B
- Construction: 100% polyester fiber (PET)
- Material certifications: OEKO-TEX® Standard 100, SCS Recycled Content, and Declare

CARE

Acoustic PET felt: Remove dust with compressed air, a vacuum or lint roller. Aluminum & polymer components: Remove dust and debris with a clean, dry, lint-free cloth.

CERTIFICATES/LISTING

This product is ETL listed and tested to meet UL standards for lit configurations. It complies with NEC and ANSI/NFPA 70 requirements, is RoHS compliant, and rated IP20 for use in dry, indoor locations only. 90 CRI configurations also meet Title 24 JA8-2016 requirements. Additionally, this product is GREENGUARD Gold certified and holds Declare, OEKO-TEX® Standard 100, and SCS Recycled Content certifications.

CONSTRUCTION

Acoustic luminaire comprised of ≥ 60% recycled PET material utilizing sewn construction to maximize strength, durability, and sound absorbency.

DIMMING (LIT ONLY)

Standard 120-277V constant current driver includes 0-10V analog dimming to 1%. Options for Lutron EcoSystem at 120/277V, TRIAC/ELV DALI, DMX, and Warm Dim available on select products. Consult factory.

ELECTRICAL (LIT ONLY)

High quality Class P isolated power supply with universal (120-277VAC) and 347V input voltage. Meets UL operation rating dry & damp (IP40) max 185°F (85°C) for 50,000 hour life. Luminaries are pre-wired with factory installed branch circuit wiring.

Power Factor:

- 0.95 @ 120VAC
- 0.90 @ 277VAC
- 0.90 @ 347VAC

For fixtures specified with an emergency battery/driver: 6W-20W integral battery (output dependent) with self-testing/metal test switch/indicator light (bi-color). Up to 15% of total lumen output for a minimum of 90 minutes. Listed to UL924 and tested to CSA 22.2 No.141 Field or Factory Installation (Indoor and Damp). Output Class 2 Compliant. Input CEC Title 20 Compliant.

ESTIMATED LIFETIME (LIT ONLY)

L70 = >60,000 Hours. Luminous flux maintenance life L70(9k) based on IES TM-28-147 9000-hour test at Ta= 45°C.

CONSULT FACTORY FOR SPECIFIC PRODUCT CONFIGURATIONS.

SABIN

© 2024 SABIN LLC. ALL RIGHTS RESERVED.
 CUSTOMIZE AT SABIN.BUILD
 DATE REVISED 09.17.2025

LED LIGHT ENGINE (LIT ONLY)

Light module incorporates premium LEDs with heat sink to maximum lifetime. Available in 2700K, 3000K, 3500K or 4000K CCT with ≥90 CRI. Color accuracy = minimum 2.2x SDCM @ 3000K ±66K ΔLUV +0.0004 Standard deviation color matching (SDCM) based on ANSI standard C78.377A indicating the visible variance in correlated color temperature, also referred to as “MacAdam ellipse.”

MOUNTING

Suspended by various methods including 1/16” aircraft cable, straps, grid clips or 3/8” threaded rod (adapters provided, threaded rod by others). Aircraft cable is available in precut lengths of 60” (1524 MM) or custom length from 24” (600 MM) to 120” (3048 MM). For lit units, fabric-covered power cord is provided along with a 5” (127 MM) feed canopy.

OPTICS (LIT ONLY)

Injection molded, cut or extruded acrylic lens designed for efficient and homogeneous light distribution with superior color over angle performance. Beam control available on select configurations down to 15° and up to +90°. Optics are field changeable.

WARRANTY

Fixture rated for operation in conditioned environments up to 77°F (25°C). Fixture is warranted to be free from defects and/or failure under normal use and proper storage for five (5) years from date of shipment.



Declare.

PET Acoustic Felt
 Sabin LLC

Final Assembly: Chicago, Illinois, USA
 Life Expectancy: 30 Year(s)
 End of Life Options: Salvageable/Reusable in its Entirety, Recyclable (100%)

Ingredients:

Polyethylene Terephthalate: Polyethylene Terephthalate; Octadecanamide, N,N'-1,2-ethanedilylbis-: Octadecanamide, N,N'-1,2-ethanedilylbis-; Stearic Acid: Stearic Acid; Benzenepropanoic acid, 3,5-bis(1,1-dimethylethyl)-4-hydroxy-, octadecyl ester: Benzenepropanoic acid, 3,5-bis(1,1-dimethylethyl)-4-hydroxy-, octadecyl ester; Benzenamine, 4-(1-methyl-1-phenylethyl)-N-[4-(1-methyl-1-phenylethyl)phenyl]-: Benzenamine, 4-(1-methyl-1-phenylethyl)-N-[4-(1-methyl-1-phenylethyl)phenyl]-; Titanium dioxide: Titanium dioxide

Living Building Challenge Criteria: Compliant

I-13 Red List:
 LBC Red List Free % Disclosed: 100% at 100ppm
 LBC Red List Approved VOC Content: Not Applicable
 Declared

I-10 Interior Performance: Not Applicable
I-14 Responsible Sourcing: Not Applicable

SAB-0001
 EXP. 01 JUN 2025
 Original Issue Date: 2023

MANUFACTURER RESPONSIBLE FOR LABEL ACCURACY
 INTERNATIONAL LIVING FUTURE INSTITUTE™ living-future.org/declare

