

LAYER DISC

LIT - LINEAR

LYR-D-L-LIN

DATE	PROJECT	CATALOG #	FIXTURE TYPE
------	---------	-----------	--------------

OVERVIEW

LAYER is a system for forming planes and activating space. It's designed to layer with other products, create visual hierarchy, or suspend as a pendant. It excels with lower ceilings, serves as an excellent build-in option for a space requiring more visual structure and sound absorption, and can adapt to other existing units. LAYER's versatility allows for discovery throughout the design process. There are 4 shapes in the LAYER family: DISC, OBROUND, TRIANGLE, and RECTANGLE.

QUICK FACTS

- Direct, indirect, or bidirectional light output
- Color temperatures 2700 / 3000 / 3500 / 4000 CCT at 90+ Color Rendering Index (CRI)
- Flexible mounting options for simple retrofit installation
- Custom diameters available between 35 - 47 IN
- NRC rating of .85+



SPECIFICATIONS

SERIES	DIAMETER ^{1,2,3}	DIRECT OUTPUT	DIRECT OPTIC	INDIRECT OUTPUT		
LYR-D-L-LIN	35" (900 MM) 47" (1200 MM) CD___ ⁴	DNA NO OUTPUT D200 200 LM/FT D500 500 LM/FT D750 750 LM/FT D1000 1000 LM/FT CDO___ CUSTOM OUTPUT	DNO NO OUTPUT (FELT INSERT) DDL DIFFUSE LENS DBL BATWING	INA NO OUTPUT I200 200 LM/FT I500 500 LM/FT I750 750 LM/FT I1000 1000 LM/FT CIO___ CUSTOM OUTPUT		
INDIRECT OPTIC		CRI/CCT	CIRCUIT	CONTROL	VOLTAGE	FELT COLOR (1.5 MM)
INO NO OUTPUT IBB BARE BOARD IDC DUST COVER IBW BATWING	927K 930K 935K 940K	SC SINGLE CIRCUIT DC DUAL CIRCUIT (SHARED DIMMING)	10 0-10V TO 1%	UNV 120V/277V 347 347V	15___ REPLACE "___" WITH DESIRED COLOR CODE FROM SWITCHES	
CORD COLOR ⁵	SUSPENSION TYPE	CEILING TYPE	CANOPY ⁸	FACTORY OPTIONS ⁹		
PC___ REPLACE "___" WITH DESIRED COLOR CODE FROM SWITCHES	AC___ 60" AIRCRAFT CABLE + (COLOR CODE) ⁶ ST___ 60" STRAP + (COLOR CODE) ⁶ TRD 3/8" THREADED ROD DT DIRECT TO	HC HARD CEILING ⁷ ST STRUT SG STANDARD GRID TG TEGULAR GRID	RWH ROUND WHITE RBK ROUND BLACK SWH SQUARE WHITE SBK SQUARE BLACK	CSL___ CUSTOM SUSPENSION LENGTH 24" - 120" ¹⁰ CT___ CUSTOM THREAD + (COLOR CODE) ⁶ 2CP INCLUDE 2" CANOPIES BABA BABA REQUIRED		

1 IMPERIAL DIMENSIONS ARE NOMINAL. ACTUAL DIMENSIONS ARE METRIC.
 2 LIGHT ENGINE LENGTH IS 12" (300 MM) LESS THAN THE DIAMETER OF FIXTURE.
 3 MINIMUM DIAMETER FOR A BI-DIRECTIONAL UNIT IN A DUAL CIRCUIT CONFIGURATION IS 47" (1200 MM).
 4 CUSTOM DIAMETERS AVAILABLE BETWEEN 35" - 47" (900 - 1200 MM).
 5 POWER CABLE IS 18" LONGER THAN SUSPENSION LENGTH. CONSULT FACTORY FOR LONGER LENGTHS.

6 REPLACE "___" WITH DESIRED COLOR CODE FROM SWITCHES.
 7 NOT AVAILABLE IN DIRECT TO SUSPENSION TYPE.
 8 5" (127 MM) CANOPY PROVIDED FOR FEED. 2" (50.8 MM) CANOPY FOR NON-FEED PROVIDED UPON REQUEST.
 9 LEAVE BLANK IF NOT APPLICABLE. STRING TOGETHER MULTIPLE SELECTIONS.
 10 REPLACE "___" WITH LENGTH OF DESIRED SUSPENSION.

EXAMPLE CATALOG #: LYR-D-L-LIN-47(1200)-D1000-DDL-I1000-IDC-C-940K-DC-10-UNV-15SP-PCBL-STSU-HC-RBK-BABA



© 2025 SABIN LLC. ALL RIGHTS RESERVED.
 CUSTOMIZE AT SABIN.BUILD
 DATE REVISED 02.17.2026



COLOR SWATCHES

LYR-D-L-LIN

DATE	PROJECT	CATALOG #	FIXTURE TYPE
------	---------	-----------	--------------

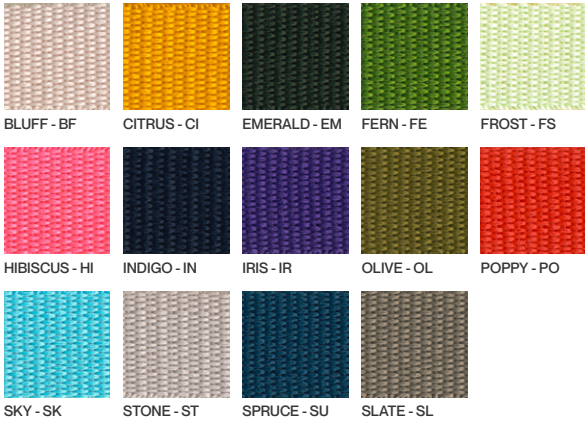
FELT



POWER CORD



SUSPENSION STRAP



THREAD



AIRCRAFT CABLE

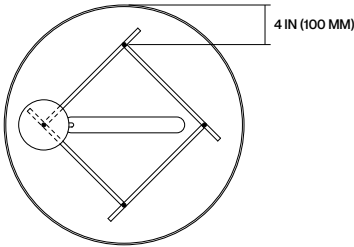


DIMENSIONS

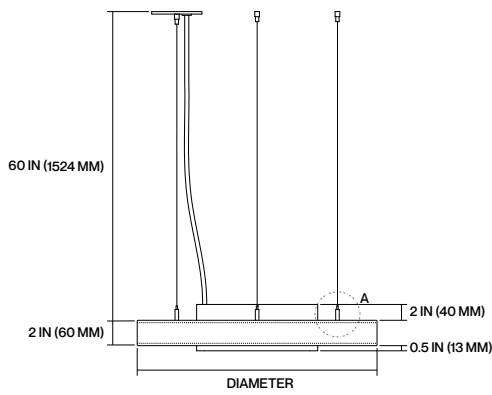
LYR-D-L-LIN

DATE	PROJECT	CATALOG #	FIXTURE TYPE
------	---------	-----------	--------------

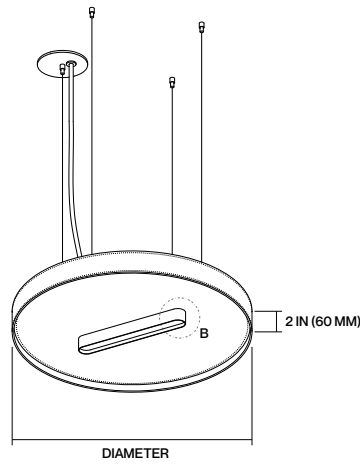
TOP



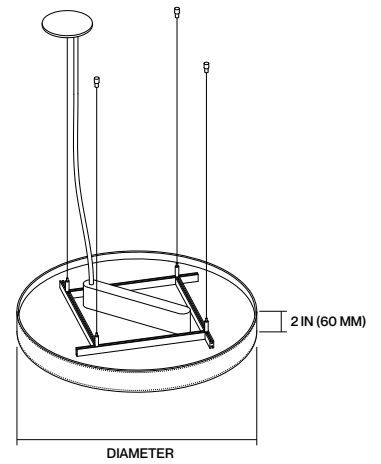
FRONT



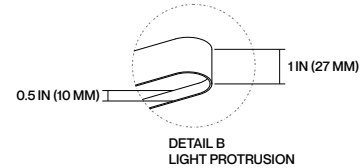
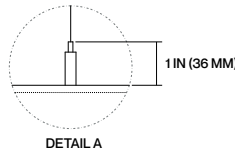
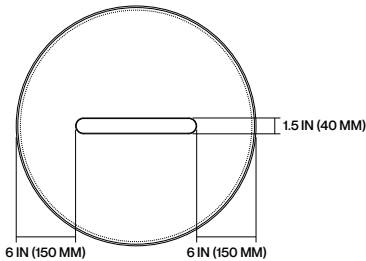
BOTTOM ISO



TOP ISO



BOTTOM



- 1 IMPERIAL DIMENSIONS ARE NOMINAL. ACTUAL DIMENSIONS ARE METRIC.
- 2 ALL STANDARD DIMENSIONS ARE ECO-CONSCIOUS, MAXIMIZING MATERIAL USE AND MINIMIZING WASTE. CUSTOM DIMENSIONS RESULT IN EXCESS MATERIAL WASTE.
- 3 PLEASE CONSULT THE FACTORY FOR WEIGHTS SPECIFIC TO CONFIGURATION.

ACOUSTIC PERFORMANCE

LYR-D-L-LIN

TECHNICAL DATA

DATE	PROJECT	CATALOG #	FIXTURE TYPE
------	---------	-----------	--------------

LAYER DISC

ALL SABIN PRODUCTS ARE SUBJECT TO ACOUSTIC TESTING. PERFORMANCE VALUES WILL VARY BASED ON INSTALLATION FACTORS SUCH AS DENSITY AND MOUNTING HEIGHT.

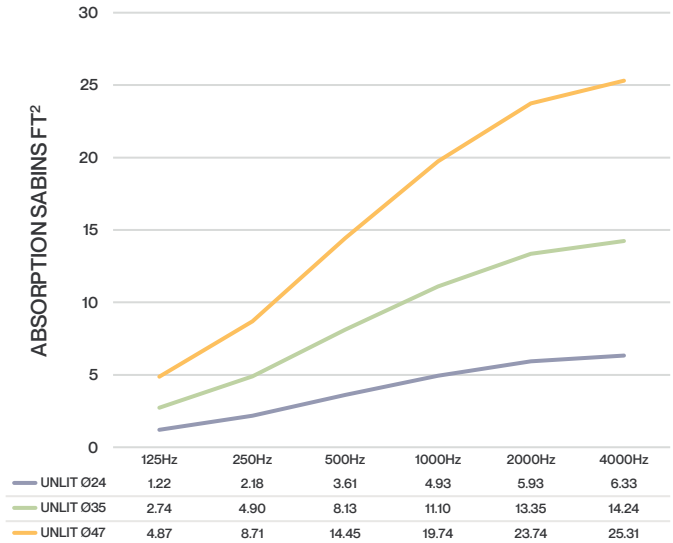
SABINS A SABIN IS A UNIT OF SOUND ABSORPTION DEFINED AS THE AMOUNT OF SOUND ABSORBED BY ONE SQUARE FOOT OF A PERFECT ABSORBER. IT WAS INITIALLY CONCEIVED AS THE EQUIVALENT OF 1 SQUARE FOOT OF OPEN WINDOW, REFLECTING NO SOUND BACK INTO THE INTERIOR. SABINS ARE USED TO EXPRESS THE TOTAL EFFECTIVE ABSORPTION FOR THE INTERIOR OF A ROOM. THIS CHART INDICATES AVERAGE SABINS PER UNIT AT THE NOTED FREQUENCIES WHICH REPRESENT THE TYPICAL RANGE OF HUMAN SPEECH OF 200-2500 HZ.

NRC NOISE REDUCTION COEFFICIENT (NRC) IS A SINGLE NUMBER VALUE RANGING FROM 0.0 TO 1.0 THAT DESCRIBES THE AVERAGE SOUND ABSORPTION PERFORMANCE OF A MATERIAL. AN NRC OF 0.0 INDICATES THE OBJECT DOES NOT ABSORB MID-FREQUENCY SOUND ENERGY, BUT REFLECTS IT. AN NRC OF 1.0 INDICATES THAT THE SOUND ABSORPTION PERFORMANCE OF THE MATERIAL IS EQUAL TO ITS SURFACE AREA (MEASURED IN UNITS SABIN), OR CONCEPTUALLY 100% SOUND ABSORPTION.

PROJECTED NRC = .95

TOTAL SOUND ABSORPTION WILL VARY BASED ON DESIGNED PRODUCT CONFIGURATION. SABIN TESTS ALL PRODUCTS IN MULTIPLE CONFIGURATIONS. PLEASE CONTACT SABIN OR YOUR LOCAL AGENT FOR MORE INFORMATION.

LAYER DISC ACOUSTIC PERFORMANCE



LIGHTING PERFORMANCE

LYR-D-L-LIN

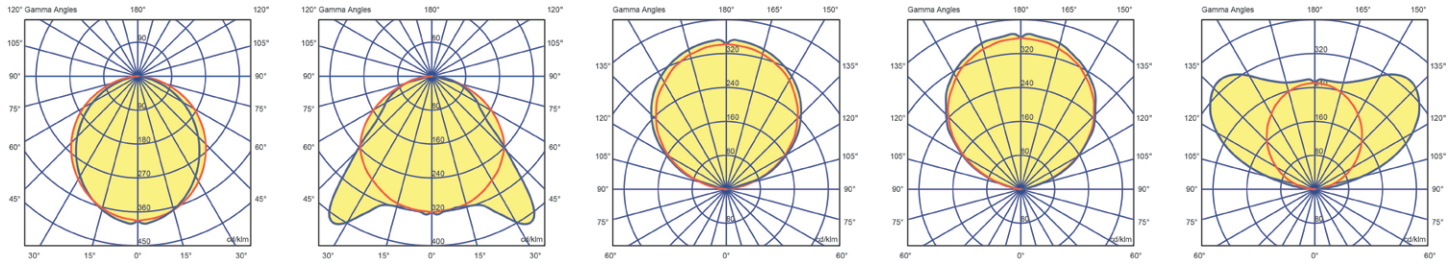
TECHNICAL DATA

DATE	PROJECT	CATALOG #	FIXTURE TYPE
------	---------	-----------	--------------

LAYER DISC

LIT - LINEAR

PHOTOMETRIC PLOTS



OPTIC	DIFFUSE (DDL)	OPTIC	BATWING (DBL)	OPTIC	BARE BOARD (IBB)	OPTIC	DUST COVER (IDC)	OPTIC	BATWING (IBW)
WATTAGE	27.3	WATTAGE	25.5	WATTAGE	18.3	WATTAGE	19.4	WATTAGE	21.6
LUMENS	2952.8	LUMENS	2952.8	LUMENS	2952.8	LUMENS	2952.8	LUMENS	2952.8
LENGTH	49" (1253 MM)	LENGTH	49" (1253 MM)	LENGTH	49" (1253 MM)	LENGTH	49" (1253 MM)	LENGTH	49" (1253 MM)

DELIVERED LUMENS AND ENERGY USE

OPTIC	OUTPUT	DELIVERED (LUMENS/FT)	ENERGY (WATTS/FT)	EFFICACY (LPW)
DIRECT DIFFUSE LENS (DDL)	D200	200	1.71	116.81
	D500	500	4.41	113.31
	D750	750	6.93	108.21
	D1000	1000	9.89	101.14
DIRECT BATWING LENS (DBL)	D200	200	1.64	121.63
	D500	500	4.18	119.68
	D750	750	6.47	115.88
	D1000	1000	9.08	110.11
INDIRECT BARE BOARD (IBB)	I200	200	1.22	163.67
	I500	500	3.06	163.14
	I750	750	4.65	161.40
	I1000	1000	6.31	158.48
INDIRECT DUST COVER (IDC)	I1250	1250	8.10	154.38
	I1500	1500	10.06	149.11
	I200	200	1.28	156.11
	I500	500	3.23	154.80
INDIRECT BATWING (IBW)	I750	750	4.92	152.36
	I1000	1000	6.72	148.71
	I1250	1250	8.69	143.85
	I1500	1500	10.89	137.76
INDIRECT BARE BOARD (IBB)	I200	200	1.42	140.80
	I500	500	3.60	139.02
	I750	750	5.50	136.39
	I1000	1000	7.54	132.70
INDIRECT BARE BOARD (IBB)	I1250	1250	9.77	127.96

*Based on 3000k, ≥90CRI. Lumen output and wattage may vary +/-5%.

CCT MULTIPLIER

CCT	2700K	3000K	3500K	4000K
CRI	90	90	90	90
MULTIPLIER	0.97	1	1	1.03



© 2024 SABIN LLC. ALL RIGHTS RESERVED.
 CUSTOMIZE AT SABIN.BUILD
 DATE REVISED 02.17.2026



DATE	PROJECT	CATALOG #	FIXTURE TYPE
------	---------	-----------	--------------

ACOUSTIC MATERIAL

Our PET (polyester) felt panels contain minimum 60% post-consumer recycled polyester staple fiber. It is moisture resistant, fire rated, recyclable, and an outstanding absorber of acoustic energy.

- Fire retardant: ASTM E84 Class A, EN13501 Class B
- Construction: 100% polyester fiber (PET)
- Material certifications: OEKO-TEX® Standard 100, SCS Recycled Content, and Declare

CARE

Acoustic PET felt: Remove dust with compressed air, a vacuum or lint roller. Aluminum & polymer components: Remove dust and debris with a clean, dry, lint-free cloth.

CERTIFICATES/LISTING

This product is ETL listed and tested to meet UL standards for lit configurations. It complies with NEC and ANSI/NFPA 70 requirements, is RoHS compliant, and rated IP20 for use in dry, indoor locations only. 90 CRI configurations also meet Title 24 JA8-2016 requirements. Additionally, this product is GREENGUARD Gold certified and holds Declare, OEKO-TEX® Standard 100, and SCS Recycled Content certifications.

CONSTRUCTION

Acoustic luminaire comprised of ≥ 60% recycled PET material utilizing sewn construction to maximize strength, durability, and sound absorbency.

DIMMING (LIT ONLY)

Standard 120-277V constant current driver includes 0-10V analog dimming to 1%. Options for Lutron EcoSystem at 120/277V, TRIAC/ELV DALI, DMX, and Warm Dim available on select products. Consult factory.

ELECTRICAL (LIT ONLY)

High quality Class P isolated power supply with universal (120-277VAC) and 347V input voltage. Meets UL operation rating dry & damp (IP40) max 185°F (85°C) for 50,000 hour life. Luminaries are pre-wired with factory installed branch circuit wiring.

Power Factor:

- 0.95 @ 120VAC
- 0.90 @ 277VAC
- 0.90 @ 347VAC

For fixtures specified with an emergency battery/driver: 6W-20W integral battery (output dependent) with self-testing/metal test switch/indicator light (bi-color). Up to 15% of total lumen output for a minimum of 90 minutes. Listed to UL924 and tested to CSA 22.2 No.141 Field or Factory Installation (Indoor and Damp). Output Class 2 Compliant. Input CEC Title 20 Compliant.

ESTIMATED LIFETIME (LIT ONLY)

L70 = >60,000 Hours. Luminous flux maintenance life L70(9k) based on IES TM-28-147 9000-hour test at Ta= 45°C.

CONSULT FACTORY FOR SPECIFIC PRODUCT CONFIGURATIONS.

SABIN

© 2024 SABIN LLC. ALL RIGHTS RESERVED.
CUSTOMIZE AT SABIN.BUILD
DATE REVISED 02.17.2026

LED LIGHT ENGINE (LIT ONLY)

Light module incorporates premium LEDs with heat sink to maximum lifetime. Available in 2700K, 3000K, 3500K or 4000K CCT with ≥90 CRI. Color accuracy = minimum 2.2x SDCM @ 3000K ±66K ΔLUV +0.0004 Standard deviation color matching (SDCM) based on ANSI standard C78.377A indicating the visible variance in correlated color temperature, also referred to as “MacAdam ellipse.”

MOUNTING

Suspended by various methods including 1/16” aircraft cable, straps, grid clips or 3/8” threaded rod (adapters provided, threaded rod by others). Aircraft cable is available in precut lengths of 60” (1524 MM) or custom length from 24” (600 MM) to 120” (3048 MM). For lit units, fabric-covered power cord is provided along with a 5” (127 MM) feed canopy.

OPTICS (LIT ONLY)

Injection molded, cut or extruded acrylic lens designed for efficient and homogeneous light distribution with superior color over angle performance. Beam control available on select configurations down to 15° and up to +90°. Optics are field changeable.

WARRANTY

Fixture rated for operation in conditioned environments up to 77°F (25°C). Fixture is warranted to be free from defects and/or failure under normal use and proper storage for five (5) years from date of shipment.



Declare.

PET Acoustic Felt
Sabin LLC

Final Assembly: Chicago, Illinois, USA
Life Expectancy: 30 Year(s)
End of Life Options: Salvageable/Reusable in its Entirety, Recyclable (100%)

Ingredients:

Polyethylene Terephthalate; Polyethylene Terephthalate; Octadecanamide, N,N'-1,2-ethanediybis-; Octadecanamide, N,N'-1,2-ethanediybis-; Stearic Acid; Stearic Acid; Benzenepropanoic acid, 3,5-bis(1,1-dimethylethyl)-4-hydroxy-, octadecyl ester; Benzenepropanoic acid, 3,5-bis(1,1-dimethylethyl)-4-hydroxy-, octadecyl ester; Benzenamine, 4-(1-methyl-1-phenylethyl)-N-[4-(1-methyl-1-phenylethyl)phenyl]-; Benzenamine, 4-(1-methyl-1-phenylethyl)-N-[4-(1-methyl-1-phenylethyl)phenyl]; Titanium dioxide; Titanium dioxide

Living Building Challenge Criteria: Compliant

I-13 Red List:

- LBC Red List Free % Disclosed: 100% at 100ppm
- LBC Red List Approved VOC Content: Not Applicable
- Declared

I-10 Interior Performance: Not Applicable
I-14 Responsible Sourcing: Not Applicable

SAB-0001
EXP. 01 JUN 2025
Original Issue Date: 2023

MANUFACTURER RESPONSIBLE FOR LABEL ACCURACY
INTERNATIONAL LIVING FUTURE INSTITUTE™ living-future.org/declare

