

LAYER RECTANGLE

LIT - LIGHT BY OTHERS (LBO)™

LYR-R-L-LBO

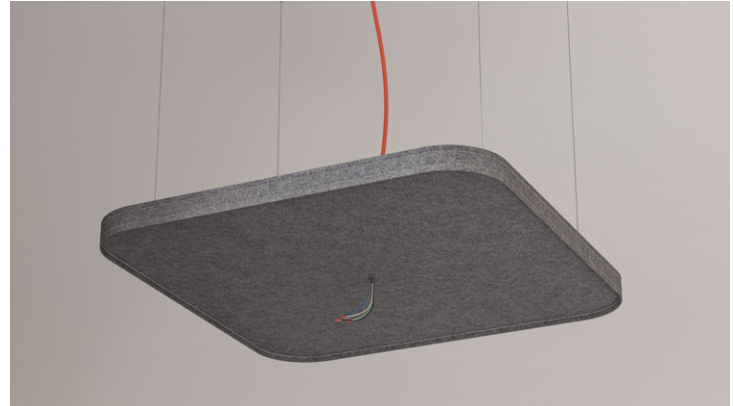
DATE	PROJECT	CATALOG #	FIXTURE TYPE
------	---------	-----------	--------------

OVERVIEW

LAYER is a system for forming planes and activating space. It's designed to layer with other products, create visual hierarchy, or suspend as a pendant. It excels with lower ceilings, serves as an excellent build-in option for a space requiring more visual structure and sound absorption, and can adapt to other existing units. LAYER's versatility allows for discovery throughout the design process. There are 4 shapes in the LAYER family: DISC, OBROUND, TRIANGLE, and RECTANGLE.

QUICK FACTS

- Light by Others (LBO)™ enables a customer to integrate their preferred light engine
- Location of aperture / cord / stem can be centered, offset, cornered, or custom
- Custom lengths between 35 - 94 IN and widths between 12 - 47 IN
- Flexible mounting options for simple retrofit installation
- NRC rating of .85+



SPECIFICATIONS

SERIES	LAYER LENGTH ^{1,2}	LAYER WIDTH ^{1,2}	APERTURE/CORD/STEM DIAMETER ^{1,5}	APERTURE/CORD/STEM LOCATION
LYR-R-L-LBO	35" (900 MM) 47" (1200 MM) 59" (1500 MM) 71" (1800 MM) 83" (2100 MM) 94" (2400 MM) CL___ ³	12" (300 MM) 24" (600 MM) 35" (900 MM) 47" (1200 MM) CW___ ⁴	3/8" (10 MM) 1/2" (13 MM) 3" (76 MM) 4" (102 MM) 5" (127 MM) CHD___ ⁶	CEN CENTERED OFF OFFSET ⁷ CNR CORNER ⁸ CLL CUSTOM ⁸
FELT COLOR (1.5 MM)			CORD COLOR ⁹	
15___ REPLACE "___" WITH DESIRED COLOR CODE FROM SWATCHES			PC___ REPLACE "___" WITH DESIRED COLOR CODE FROM SWATCHES	
SUSPENSION TYPE		CEILING TYPE	CANOPY ¹²	FACTORY OPTIONS ¹³
AC___ 60" AIRCRAFT CABLE + (COLOR CODE) ¹⁰	ST___ 60" STRAP + (COLOR CODE) ¹⁰	HC HARD CEILING ¹¹	RWH ROUND WHITE	CSL___ CUSTOM SUSPENSION LENGTH 24" - 120" ¹⁴
TRD 3/8" THREADED ROD	DT DIRECT TO	ST STRUT	RBK ROUND BLACK	CT___ CUSTOM THREAD + (COLOR CODE) ¹⁰
		SG STANDARD GRID	SWH SQUARE WHITE	2CP INCLUDE 2" CANOPIES
		TG TEGULAR GRID	SBK SQUARE BLACK	CF CENTER FEED
				BABA BABA REQUIRED

1 IMPERIAL DIMENSIONS ARE NOMINAL. ACTUAL DIMENSIONS ARE METRIC.
 2 LAYER LENGTH/WIDTH MUST BE ≥ 12" (300 MM) LARGER THAN THE APERTURE/CORD/STEM DIAMETER.
 3 CUSTOM LENGTHS AVAILABLE BETWEEN 35" - 94" (900 - 2400 MM).
 4 CUSTOM WIDTHS AVAILABLE BETWEEN 12" - 47" (300 - 1200 MM).
 5 DIAMETER OF THE HOLE TO ACCOMMODATE DOWNLIGHT/POWER CABLE/STEM.
 6 MINIMUM 0.25" (6 MM) CUSTOM HOLE DIAMETER.
 7 OFFSET NOT AVAILABLE ON SQUARE FIXTURES. SEE DRAWING FOR OFFSET LOCATION.

8 CONSULT FACTORY.
 9 POWER CABLE IS 18" LONGER THAN SUSPENSION LENGTH. CONSULT FACTORY FOR LONGER LENGTHS.
 10 REPLACE "___" WITH DESIRED COLOR CODE FROM SWATCHES.
 11 NOT AVAILABLE IN DIRECT TO SUSPENSION TYPE.
 12 5" (127 MM) CANOPY PROVIDED FOR FEED. 2" (50.8 MM) CANOPIES FOR NON-FEED UPON REQUEST.
 13 LEAVE BLANK IF NOT APPLICABLE. STRING TOGETHER MULTIPLE SELECTIONS.
 14 REPLACE "___" WITH LENGTH OF DESIRED SUSPENSION.

EXAMPLE CATALOG #: LYR-R-L-LBO-59(1500)-35(900)-1/2(13)-CNR-15SF-PCCY-TRD-HC-SWH-CF

SABIN

© 2025 SABIN LLC. ALL RIGHTS RESERVED.
 CUSTOMIZE AT SABIN.BUILD
 DATE REVISED 09.17.2025



COLOR SWATCHES

LYR-R-L-LBO

DATE	PROJECT	CATALOG #	FIXTURE TYPE
------	---------	-----------	--------------

FELT



POWER CORD



SUSPENSION STRAP



THREAD



AIRCRAFT CABLE



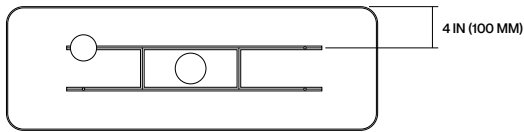
DIMENSIONS

LYR-R-L-LBO

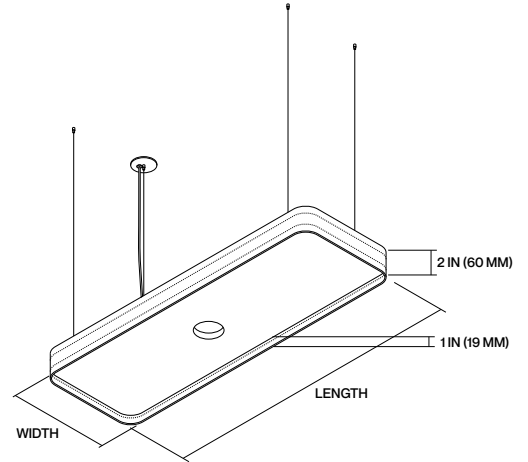
DATE	PROJECT	CATALOG #	FIXTURE TYPE
------	---------	-----------	--------------

CENTERED APERTURE/CORD/STEM

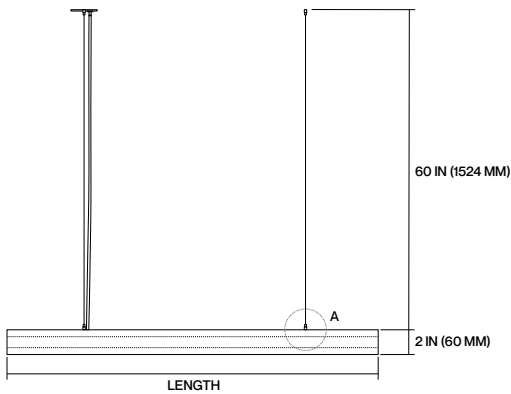
TOP



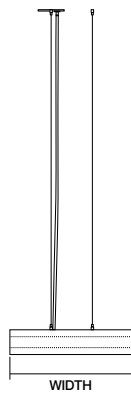
BOTTOM ISO



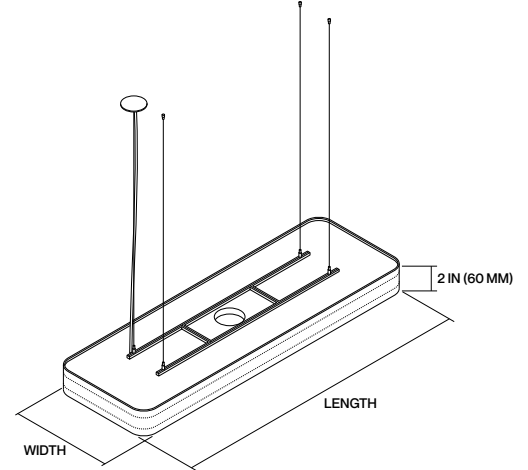
FRONT



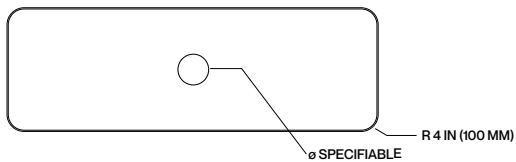
SIDE



TOP ISO



BOTTOM



- 1 IMPERIAL DIMENSIONS ARE NOMINAL. ACTUAL DIMENSIONS ARE METRIC.
- 2 ALL STANDARD DIMENSIONS ARE ECO-CONSCIOUS, MAXIMIZING MATERIAL USE AND MINIMIZING WASTE. CUSTOM DIMENSIONS RESULT IN EXCESS MATERIAL WASTE.
- 3 PLEASE CONSULT THE FACTORY FOR WEIGHTS SPECIFIC TO CONFIGURATION.

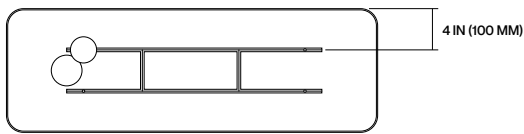
DIMENSIONS

LYR-R-L-LBO

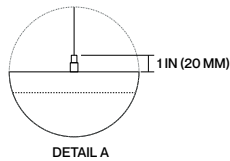
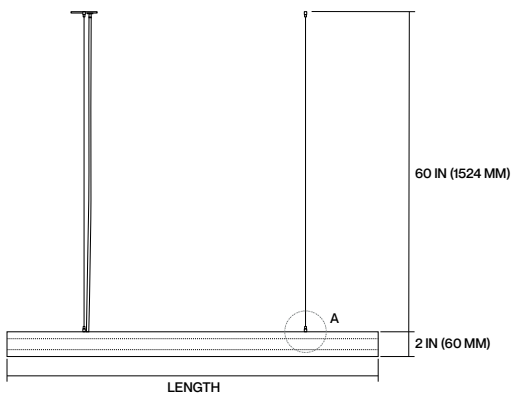
DATE	PROJECT	CATALOG #	FIXTURE TYPE
------	---------	-----------	--------------

OFFSET APERTURE/CORD/STEM

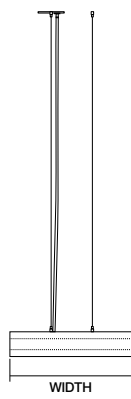
TOP



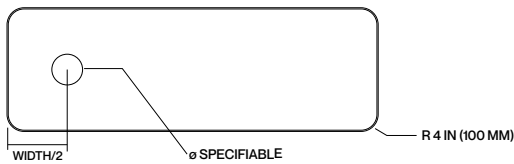
FRONT



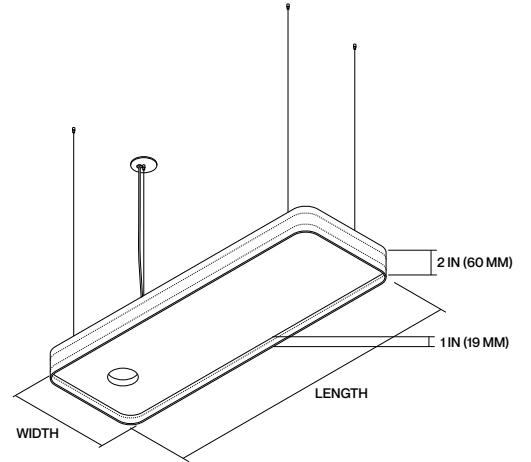
SIDE



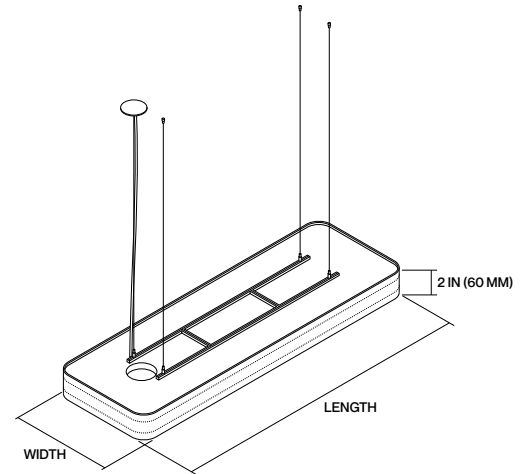
BOTTOM



BOTTOM ISO



TOP ISO



- 1 IMPERIAL DIMENSIONS ARE NOMINAL. ACTUAL DIMENSIONS ARE METRIC.
- 2 ALL STANDARD DIMENSIONS ARE ECO-CONSCIOUS, MAXIMIZING MATERIAL USE AND MINIMIZING WASTE. CUSTOM DIMENSIONS RESULT IN EXCESS MATERIAL WASTE.
- 3 PLEASE CONSULT THE FACTORY FOR WEIGHTS SPECIFIC TO CONFIGURATION.

ACOUSTIC PERFORMANCE

LYR-R-L-LBO

TECHNICAL DATA

DATE	PROJECT	CATALOG #	FIXTURE TYPE
------	---------	-----------	--------------

LAYER RECTANGLE

ALL SABIN PRODUCTS ARE SUBJECT TO ACOUSTIC TESTING. PERFORMANCE VALUES WILL VARY BASED ON INSTALLATION FACTORS SUCH AS DENSITY AND MOUNTING HEIGHT.

SABINS A SABIN IS A UNIT OF SOUND ABSORPTION DEFINED AS THE AMOUNT OF SOUND ABSORBED BY ONE SQUARE FOOT OF A PERFECT ABSORBER. IT WAS INITIALLY CONCEIVED AS THE EQUIVALENT OF 1 SQUARE FOOT OF OPEN WINDOW, REFLECTING NO SOUND BACK INTO THE INTERIOR. SABINS ARE USED TO EXPRESS THE TOTAL EFFECTIVE ABSORPTION FOR THE INTERIOR OF A ROOM. THIS CHART INDICATES AVERAGE SABINS PER UNIT AT THE NOTED FREQUENCIES WHICH REPRESENT THE TYPICAL RANGE OF HUMAN SPEECH OF 200-2500 HZ.

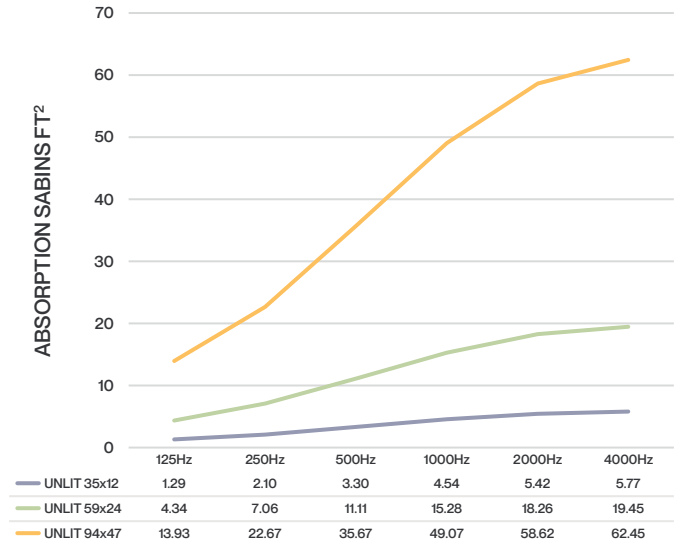
NRC NOISE REDUCTION COEFFICIENT (NRC) IS A SINGLE NUMBER VALUE RANGING FROM 0.0 TO 1.0 THAT DESCRIBES THE AVERAGE SOUND ABSORPTION PERFORMANCE OF A MATERIAL. AN NRC OF 0.0 INDICATES THE OBJECT DOES NOT ABSORB MID-FREQUENCY SOUND ENERGY, BUT REFLECTS IT. AN NRC OF 1.0 INDICATES THAT THE SOUND ABSORPTION PERFORMANCE OF THE MATERIAL IS EQUAL TO ITS SURFACE AREA (MEASURED IN UNITS SABIN), OR CONCEPTUALLY 100% SOUND ABSORPTION.

PROJECTED NRC = .95

TOTAL SOUND ABSORPTION WILL VARY BASED ON DESIGNED PRODUCT CONFIGURATION. SABIN TESTS ALL PRODUCTS IN MULTIPLE CONFIGURATIONS. PLEASE CONTACT SABIN OR YOUR LOCAL AGENT FOR MORE INFORMATION.

LAYER RECTANGLE

ACOUSTIC PERFORMANCE



DATE	PROJECT	CATALOG #	FIXTURE TYPE
------	---------	-----------	--------------

ACOUSTIC MATERIAL

Our PET (polyester) felt panels contain minimum 60% post-consumer recycled polyester staple fiber. It is moisture resistant, fire rated, recyclable, and an outstanding absorber of acoustic energy.

- Fire retardant: ASTM E84 Class A, EN13501 Class B
- Construction: 100% polyester fiber (PET)
- Material certifications: OEKO-TEX® Standard 100, SCS Recycled Content, and Declare

CARE

Acoustic PET felt: Remove dust with compressed air, a vacuum or lint roller. Aluminum & polymer components: Remove dust and debris with a clean, dry, lint-free cloth.

CERTIFICATES/LISTING

This product is ETL listed and tested to meet UL standards for lit configurations. It complies with NEC and ANSI/NFPA 70 requirements, is RoHS compliant, and rated IP20 for use in dry, indoor locations only. 90 CRI configurations also meet Title 24 JA8-2016 requirements. Additionally, this product is GREENGUARD Gold certified and holds Declare, OEKO-TEX® Standard 100, and SCS Recycled Content certifications.

CONSTRUCTION

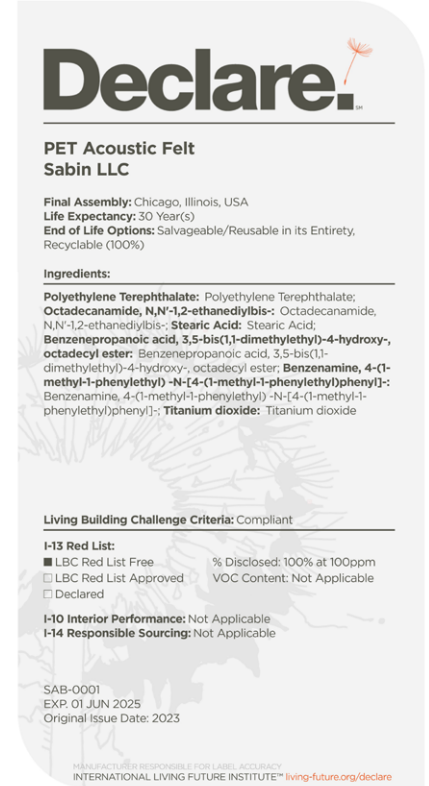
Acoustic luminaire comprised of ≥ 60% recycled PET material utilizing sewn construction to maximize strength, durability, and sound absorbency.

MOUNTING

Suspended by various methods including 1/16" aircraft cable, straps, grid clips or 3/8" threaded rod (adapters provided, threaded rod by others). Aircraft cable is available in pre-cut lengths of 60" (1524 MM) or custom length from 24" (600 MM) to 120" (3048 MM). For lit units, fabric-covered power cord is provided along with a 5" (127 MM) feed canopy.

WARRANTY

Fixture rated for operation in conditioned environments up to 77°F (25°C). Fixture is warranted to be free from defects and/or failure under normal Use and proper storage for five (5) years from date of shipment.



CONSULT FACTORY FOR SPECIFIC PRODUCT CONFIGURATIONS.