

# LINEAR RAFT

# L-RFT-L

LIT

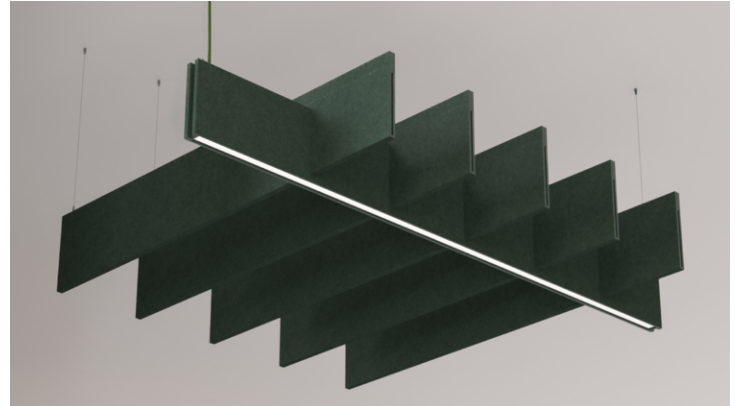
DATE	PROJECT	CATALOG #	FIXTURE TYPE
------	---------	-----------	--------------

## OVERVIEW

RAFT is a patterned product using combinations of LINEAR STANDARD and STADIA products to compose unique integrated arrays. Designed to meet a range of acoustic and lighting needs, RAFT is offered lit and unlit, boasting an unparalleled offering with customizable sizes and colors.

## QUICK FACTS

- Configuration with STANDARD or STADIA 60 + LAUTNA 27
- Available in 2700/3000/3500/4000 CCT at 90+ Color Rendering Index (CRI)
- Custom lengths between 26 - 132 IN, widths between 38 - 95 IN, and heights between 12 - 20 IN
- Optional integration of motion sensors, Wi-Fi, and/or speakers
- NRC rating of .85+



## SPECIFICATIONS

SERIES	CONFIGURATION	LAYOUT	LENGTH <sup>1,2,3</sup>		WIDTH <sup>1</sup>	HEIGHT <sup>1</sup>	UNLIT BAFFLE SPACING	
L-RFT-L	SS STANDARD 60 / STANDARD 27	DS DIRECT SINGLE	26" (653 MM)	92" (2328 MM)	38" (953 MM)	12" (300 MM)	8OC	8" (200 MM) ON CENTER
	SL STADIA 60 / LAUTNA 27	DD DIRECT DOUBLE	38" (953 MM)	98" (2491 MM) <sup>4,5</sup>	49" (1253 MM)	16" (400 MM)	12OC	12" (300 MM) ON CENTER
		IS INDIRECT SINGLE	49" (1253 MM)	132" (3350 MM) <sup>4</sup>	61" (1553 MM)	20" (500 MM)	16OC	16" (400 MM) ON CENTER
		ID INDIRECT DOUBLE	61" (1553 MM)	CL <sup>6</sup>	74" (1878 MM)	CH <sup>8</sup>	20OC	20" (500 MM) ON CENTER
			74" (1878 MM)		86" (2178 MM)		24OC	24" (600 MM) ON CENTER
			86" (2178 MM)		92" (2328 MM)			
					CW <sup>7</sup>			

OUTPUT		OPTIC	CRI/CCT	CIRCUIT	CONTROL	VOLTAGE	FELT COLOR (9 MM)	
200	200 LM/FT	BB BARE BOARD	927K	SC SINGLE CIRCUIT	10 0-10V TO 1%	UNV 120V/277V	9 <sup>9</sup>	REPLACE " <sup>9</sup> " WITH DESIRED COLOR CODE FROM SWITCHES
500	500 LM/FT	DL DIFFUSE	930K			347 347V		
750	750 LM/FT	BW BATWING	935K					
1000	1000 LM/FT		940K					
1250	1250 LM/FT							
1500	1500 LM/FT <sup>9</sup>							
CO <sup>9</sup>	CUSTOM OUTPUT							

CORD COLOR <sup>10</sup>		SUSPENSION TYPE		CEILING TYPE		CANOPY <sup>13</sup>		FACTORY OPTIONS <sup>14</sup>	
PC <sup>9</sup>	REPLACE " <sup>9</sup> " WITH DESIRED COLOR CODE FROM SWITCHES	AC <sup>9</sup>	60" AIRCRAFT CABLE + (COLOR CODE) <sup>11</sup>	HC	HARD CEILING <sup>12</sup>	RWH	ROUND WHITE	CSL <sup>9</sup>	CUSTOM SUSPENSION LENGTH 24" - 120" <sup>15</sup>
		ST <sup>9</sup>	60" STRAP + (COLOR CODE) <sup>11</sup>	ST	STRUT	RBK	ROUND BLACK	EM	EMERGENCY BATTERY <sup>16,17</sup>
		TRD	3/8" THREADED ROD	SG	STANDARD GRID	SWH	SQUARE WHITE	CT <sup>9</sup>	CUSTOM THREAD + (COLOR CODE) <sup>11</sup>
		DT	DIRECT TO	TG	TEGULAR GRID	SBK	SQUARE BLACK	2CP	INCLUDE 2" CANOPIES
								BABA	BABA REQUIRED

1 IMPERIAL DIMENSIONS ARE NOMINAL. ACTUAL DIMENSIONS ARE METRIC.  
 2 LENGTH OF SYSTEM IS EQUAL TO LENGTH OF L-60 FIXTURE.  
 3 ILLUMINATED SECTION OF FIXTURE IS 2" (53 MM) SHORTER THAN TOTAL FIXTURE LENGTH.  
 4 PET FELT REQUIRES A VERTICAL PART LINE DOWN CENTER OF BAFFLE.  
 5 TRUE 8' CONTINUOUS LENS.  
 6 CUSTOM LENGTHS AVAILABLE BETWEEN 26" - 132" (653 - 3350 MM).  
 7 CUSTOM WIDTHS AVAILABLE BETWEEN 38" - 95" (953 - 2420 MM).  
 8 CUSTOM HEIGHTS AVAILABLE BETWEEN 12" - 20" (300 - 500 MM).  
 9 1500LM/FT NOT AVAILABLE IN DIRECT OUTPUT AT 927K CRI/CCT.  
 10 POWER CABLE IS 18" LONGER THAN SUSPENSION LENGTH. CONSULT FACTORY FOR LONGER LENGTHS.  
 11 REPLACE " <sup>9</sup> " WITH DESIRED COLOR CODE FROM SWITCHES.  
 12 NOT AVAILABLE IN DIRECT TO SUSPENSION TYPE.  
 13 5" (127 MM) CANOPY PROVIDED FOR FEED. 2" (50.8 MM) CANOPY FOR NON-FEED PROVIDED UPON REQUEST.  
 14 LEAVE BLANK IF NOT APPLICABLE. STRING TOGETHER MULTIPLE SELECTIONS.  
 15 REPLACE " <sup>9</sup> " WITH LENGTH OF DESIRED SUSPENSION.  
 16 MINIMUM LENGTH FOR EM IS 49" (1253 MM).  
 17 CONTACT FACTORY FOR EM QUANTITY/PLACEMENT.

EXAMPLE CATALOG #: L-RFT-L-SL-DD-49(1253)-49(1253)-12(300)-8OC-500-BB-930K-SC-10-UNV-9JD-PCGR-ACSLV-HC-RBK-2CP



© 2025 SABIN LLC. ALL RIGHTS RESERVED.  
 CUSTOMIZE AT SABIN.BUILD  
 DATE REVISED 09.23.2025



# COLOR SWATCHES

# L-RFT-L

DATE	PROJECT	CATALOG #	FIXTURE TYPE
------	---------	-----------	--------------

## FELT



## POWER CORD



## SUSPENSION STRAP



## THREAD



## AIRCRAFT CABLE

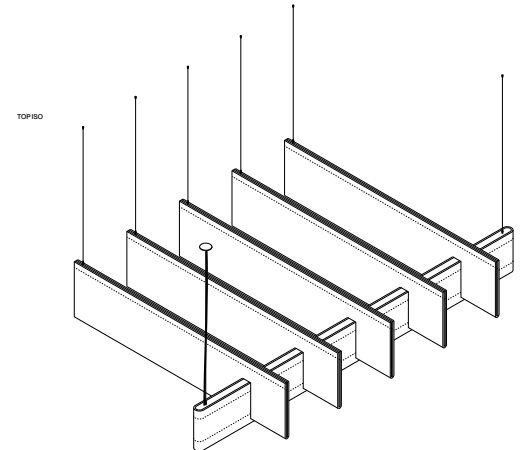
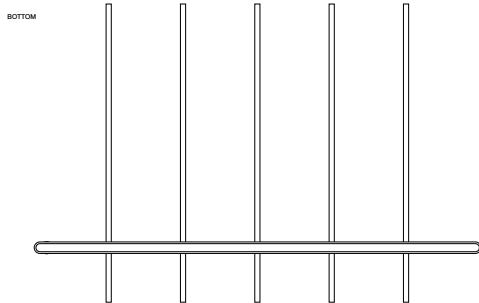
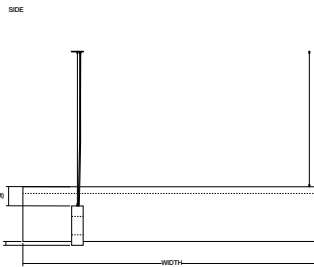
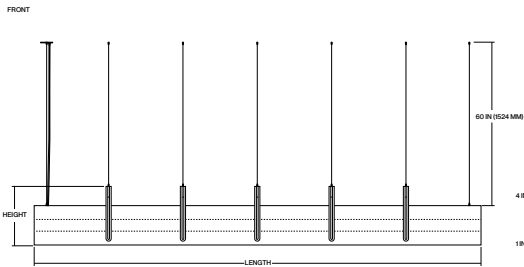
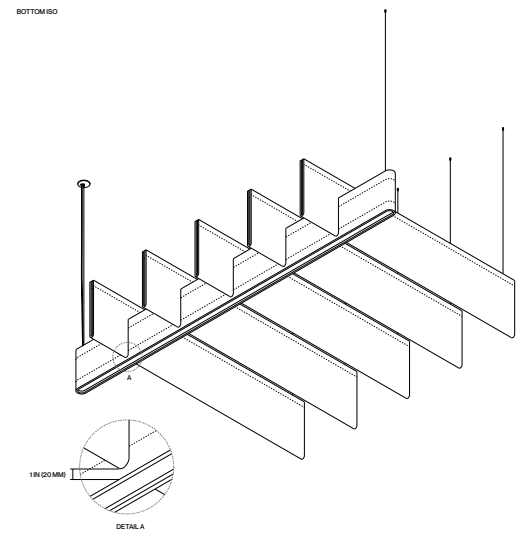
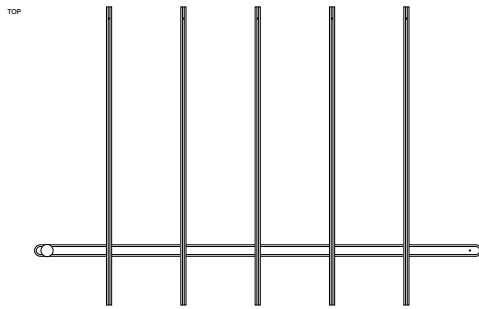


# DIMENSIONS

# L-RFT-L

DATE	PROJECT	CATALOG #	FIXTURE TYPE
------	---------	-----------	--------------

## DIRECT SINGLE LAUTNA 27/STADIA 60



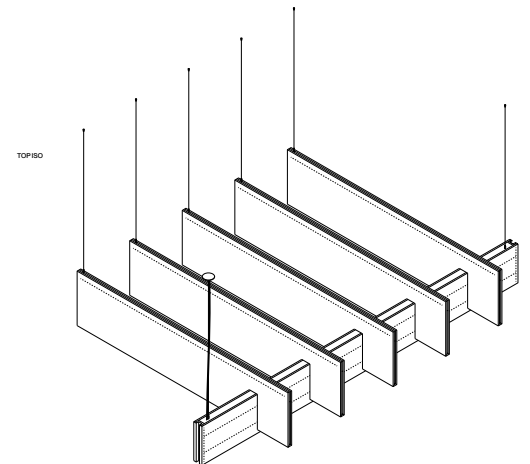
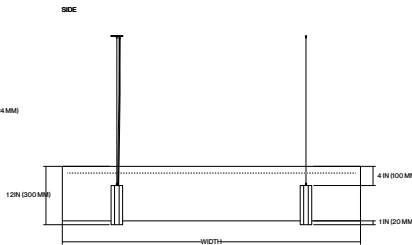
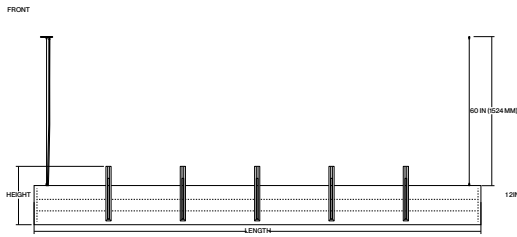
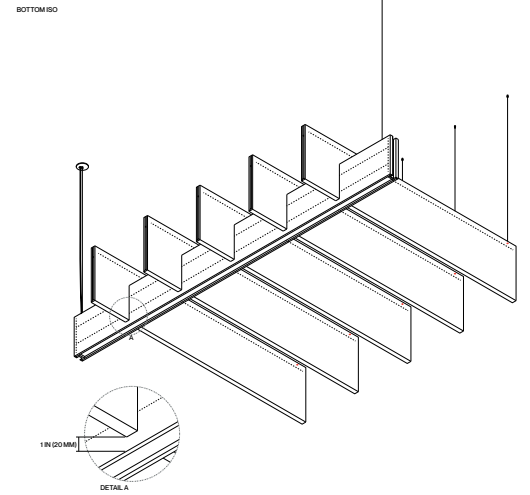
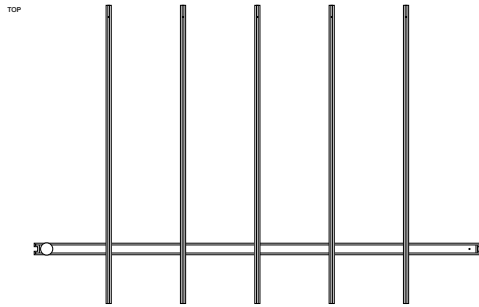
- 1 IMPERIAL DIMENSIONS ARE NOMINAL. ACTUAL DIMENSIONS ARE METRIC.
- 2 ALL STANDARD DIMENSIONS ARE ECO-CONSCIOUS, MAXIMIZING MATERIAL USE AND MINIMIZING WASTE. CUSTOM DIMENSIONS RESULT IN EXCESS MATERIAL WASTE.
- 3 PLEASE CONSULT THE FACTORY FOR WEIGHTS SPECIFIC TO CONFIGURATION.

# DIMENSIONS

# L-RFT-L

DATE	PROJECT	CATALOG #	FIXTURE TYPE
------	---------	-----------	--------------

## DIRECT SINGLE STANDARD 27/STANDARD 60



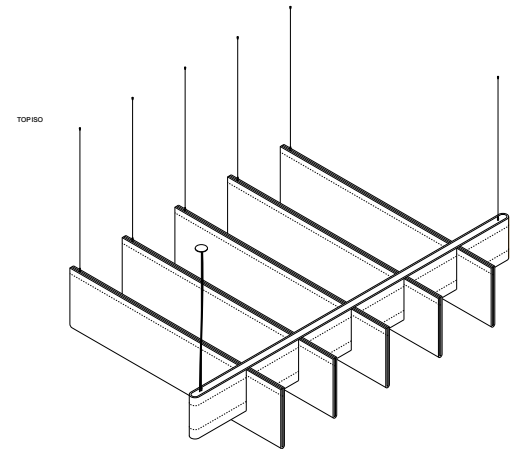
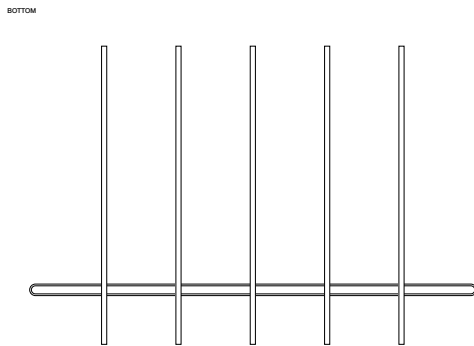
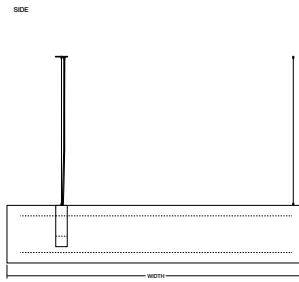
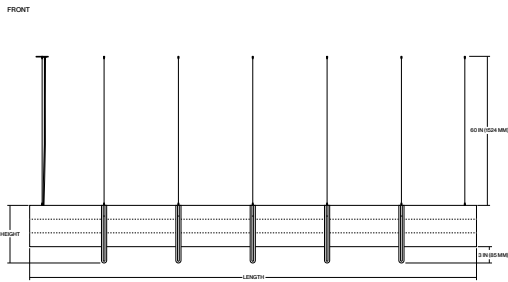
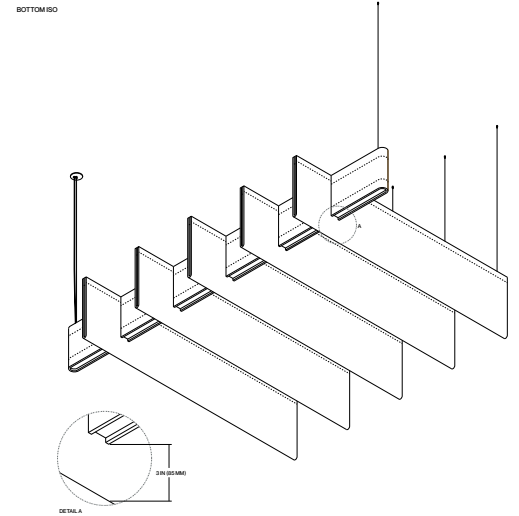
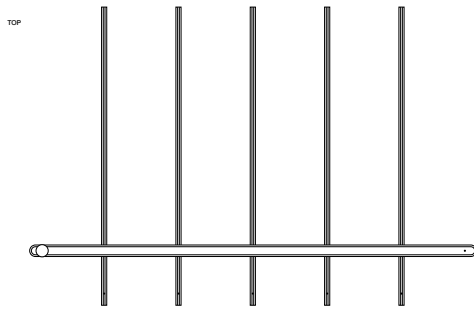
- 1 IMPERIAL DIMENSIONS ARE NOMINAL. ACTUAL DIMENSIONS ARE METRIC.
- 2 ALL STANDARD DIMENSIONS ARE ECO-CONSCIOUS, MAXIMIZING MATERIAL USE AND MINIMIZING WASTE. CUSTOM DIMENSIONS RESULT IN EXCESS MATERIAL WASTE.
- 3 PLEASE CONSULT THE FACTORY FOR WEIGHTS SPECIFIC TO CONFIGURATION.

# DIMENSIONS

# L-RFT-L

DATE	PROJECT	CATALOG #	FIXTURE TYPE
------	---------	-----------	--------------

## INDIRECT SINGLE LAUTNA 27/STADIA 60



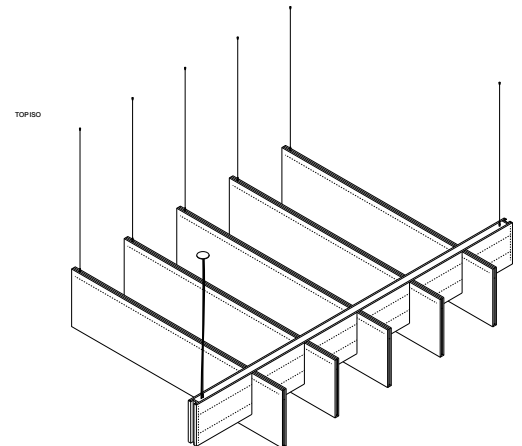
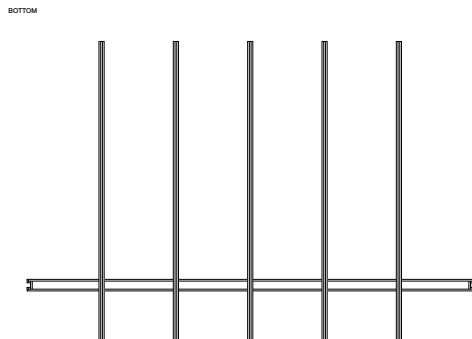
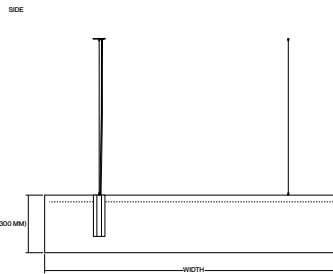
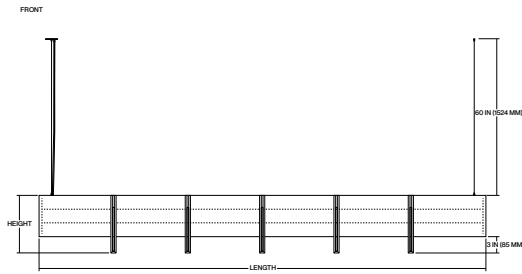
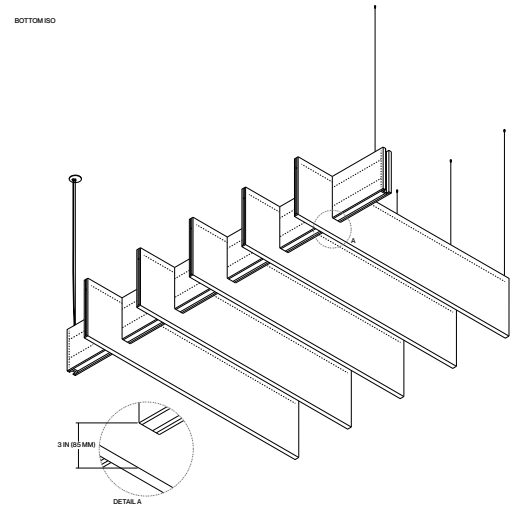
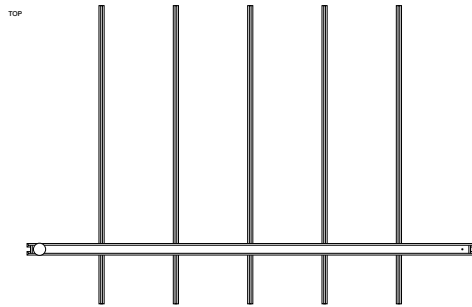
- 1 IMPERIAL DIMENSIONS ARE NOMINAL. ACTUAL DIMENSIONS ARE METRIC.
- 2 ALL STANDARD DIMENSIONS ARE ECO-CONSCIOUS, MAXIMIZING MATERIAL USE AND MINIMIZING WASTE. CUSTOM DIMENSIONS RESULT IN EXCESS MATERIAL WASTE.
- 3 PLEASE CONSULT THE FACTORY FOR WEIGHTS SPECIFIC TO CONFIGURATION.

# DIMENSIONS

# L-RFT-L

DATE	PROJECT	CATALOG #	FIXTURE TYPE
------	---------	-----------	--------------

## INDIRECT SINGLE STANDARD 27/STANDARD 60



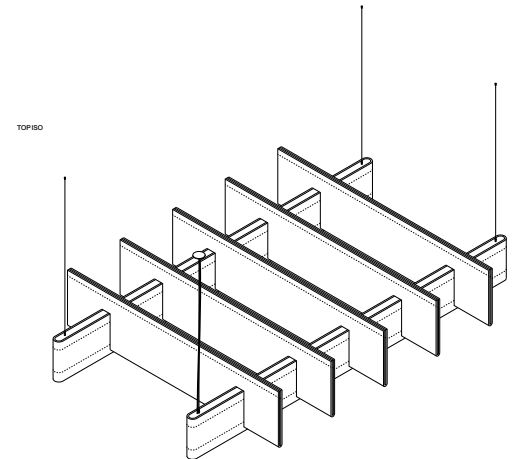
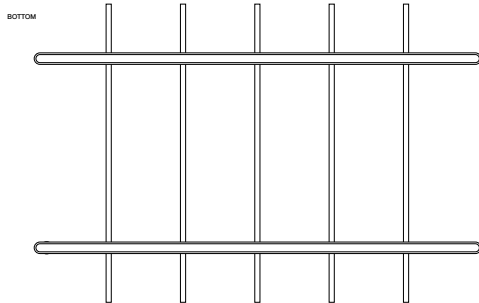
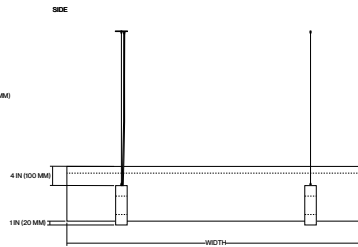
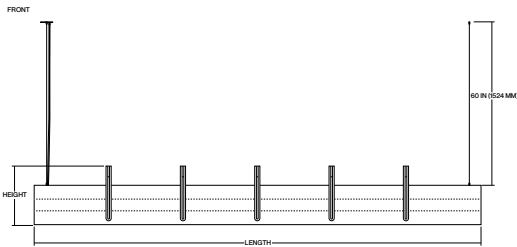
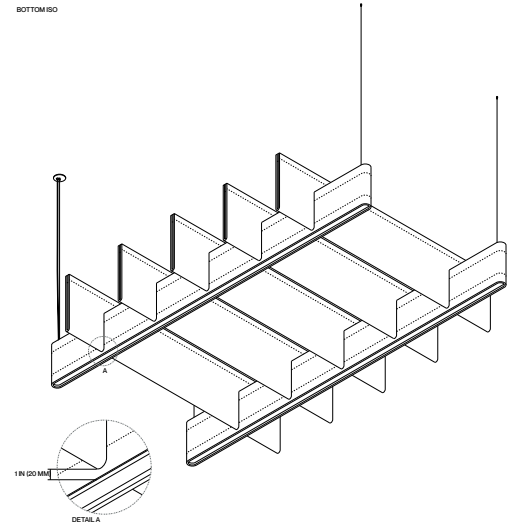
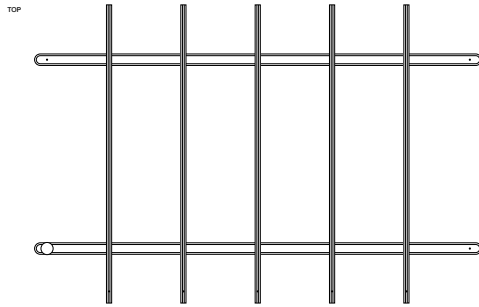
- 1 IMPERIAL DIMENSIONS ARE NOMINAL. ACTUAL DIMENSIONS ARE METRIC.
- 2 ALL STANDARD DIMENSIONS ARE ECO-CONSCIOUS, MAXIMIZING MATERIAL USE AND MINIMIZING WASTE. CUSTOM DIMENSIONS RESULT IN EXCESS MATERIAL WASTE.
- 3 PLEASE CONSULT THE FACTORY FOR WEIGHTS SPECIFIC TO CONFIGURATION.

# DIMENSIONS

# L-RFT-L

DATE	PROJECT	CATALOG #	FIXTURE TYPE
------	---------	-----------	--------------

## DIRECT DOUBLE LAUTNA 27/STADIA 60



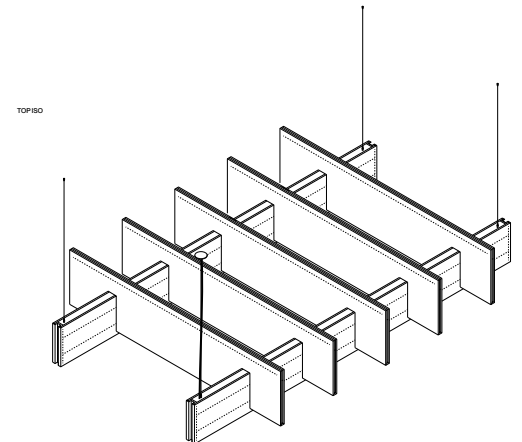
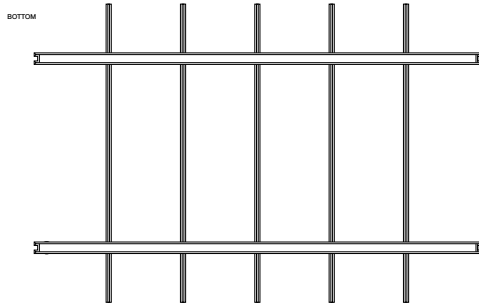
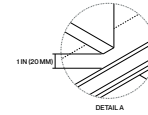
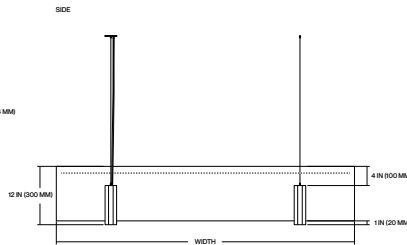
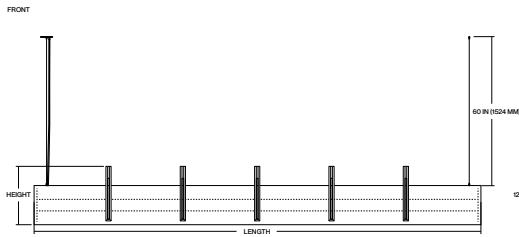
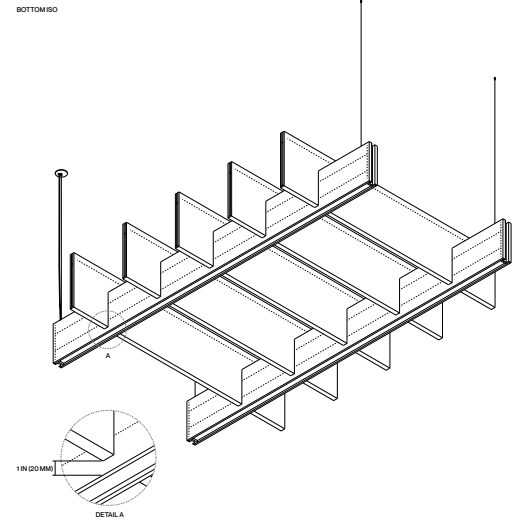
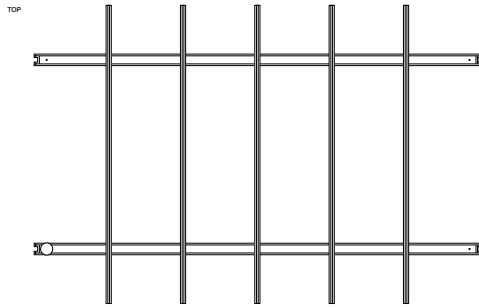
- 1 IMPERIAL DIMENSIONS ARE NOMINAL. ACTUAL DIMENSIONS ARE METRIC.
- 2 ALL STANDARD DIMENSIONS ARE ECO-CONSCIOUS, MAXIMIZING MATERIAL USE AND MINIMIZING WASTE. CUSTOM DIMENSIONS RESULT IN EXCESS MATERIAL WASTE.
- 3 PLEASE CONSULT THE FACTORY FOR WEIGHTS SPECIFIC TO CONFIGURATION.

# DIMENSIONS

# L-RFT-L

DATE	PROJECT	CATALOG #	FIXTURE TYPE
------	---------	-----------	--------------

## DIRECT DOUBLE STANDARD 27/STANDARD 60



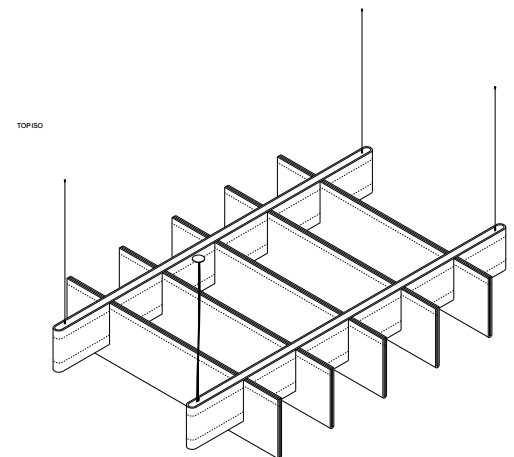
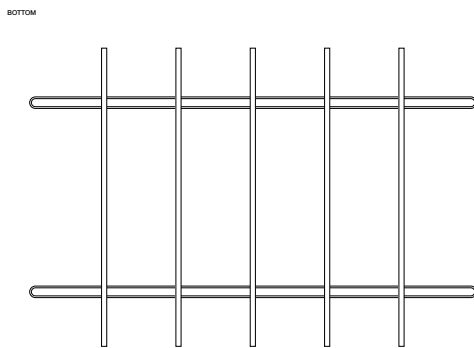
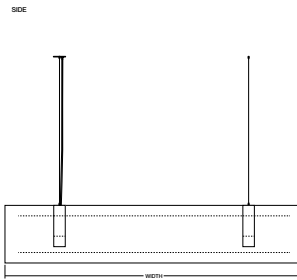
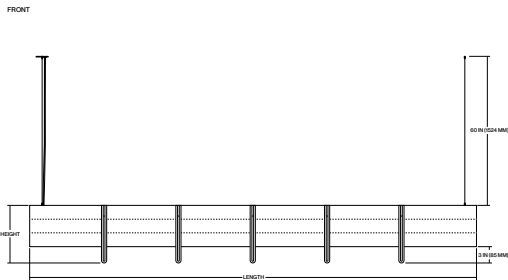
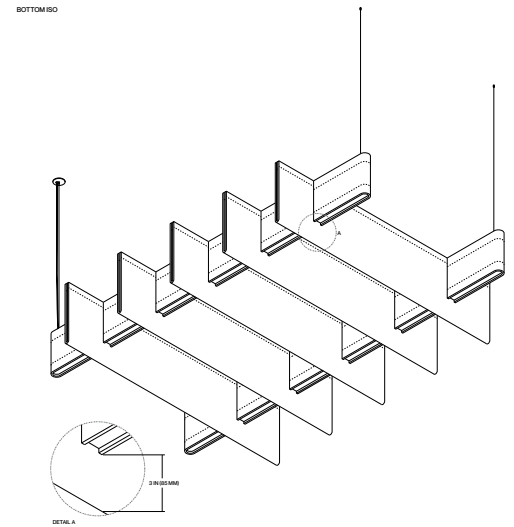
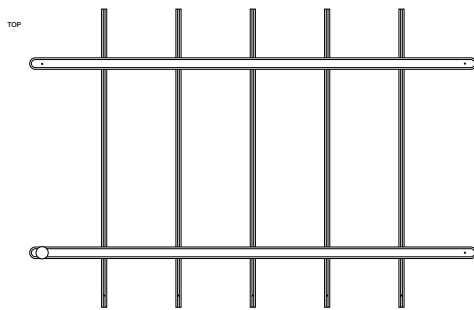
- 1 IMPERIAL DIMENSIONS ARE NOMINAL. ACTUAL DIMENSIONS ARE METRIC.
- 2 ALL STANDARD DIMENSIONS ARE ECO-CONSCIOUS, MAXIMIZING MATERIAL USE AND MINIMIZING WASTE. CUSTOM DIMENSIONS RESULT IN EXCESS MATERIAL WASTE.
- 3 PLEASE CONSULT THE FACTORY FOR WEIGHTS SPECIFIC TO CONFIGURATION.

# DIMENSIONS

# L-RFT-L

DATE	PROJECT	CATALOG #	FIXTURE TYPE
------	---------	-----------	--------------

## INDIRECT DOUBLE LAUTNA 27/STADIA 60



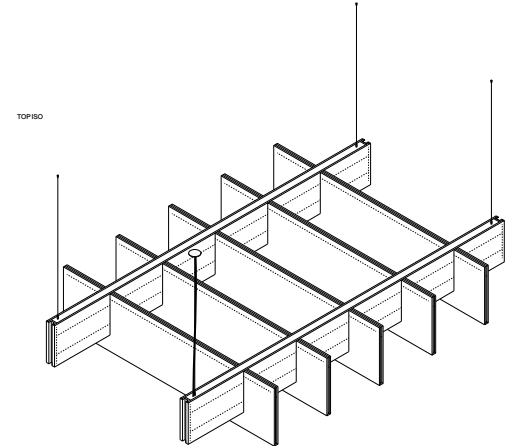
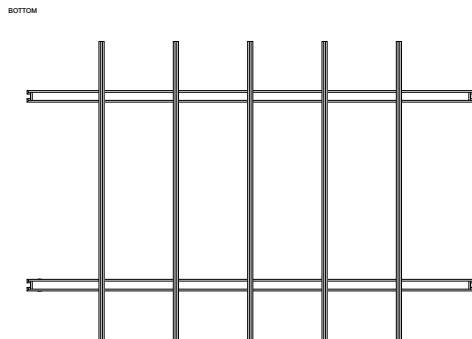
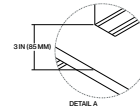
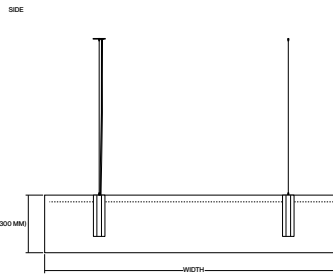
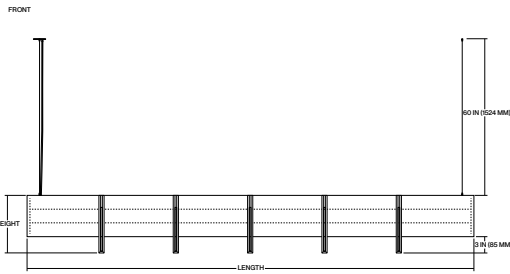
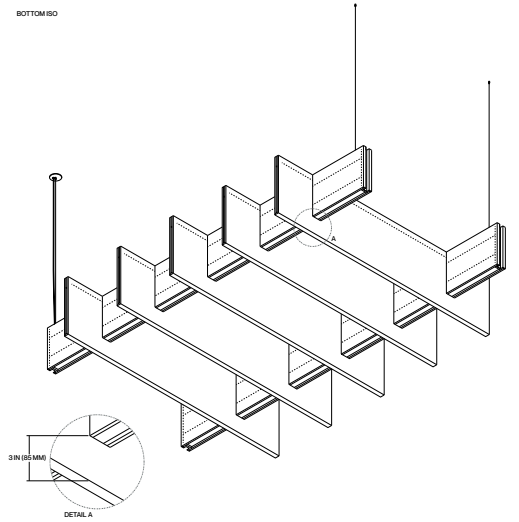
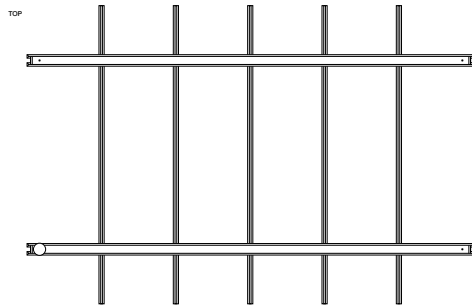
- 1 IMPERIAL DIMENSIONS ARE NOMINAL. ACTUAL DIMENSIONS ARE METRIC.
- 2 ALL STANDARD DIMENSIONS ARE ECO-CONSCIOUS, MAXIMIZING MATERIAL USE AND MINIMIZING WASTE. CUSTOM DIMENSIONS RESULT IN EXCESS MATERIAL WASTE.
- 3 PLEASE CONSULT THE FACTORY FOR WEIGHTS SPECIFIC TO CONFIGURATION.

# DIMENSIONS

# L-RFT-L

DATE	PROJECT	CATALOG #	FIXTURE TYPE
------	---------	-----------	--------------

## INDIRECT DOUBLE STANDARD 27/STANDARD 60



- 1 IMPERIAL DIMENSIONS ARE NOMINAL. ACTUAL DIMENSIONS ARE METRIC.
- 2 ALL STANDARD DIMENSIONS ARE ECO-CONSCIOUS, MAXIMIZING MATERIAL USE AND MINIMIZING WASTE. CUSTOM DIMENSIONS RESULT IN EXCESS MATERIAL WASTE.
- 3 PLEASE CONSULT THE FACTORY FOR WEIGHTS SPECIFIC TO CONFIGURATION.

# LIGHTING PERFORMANCE

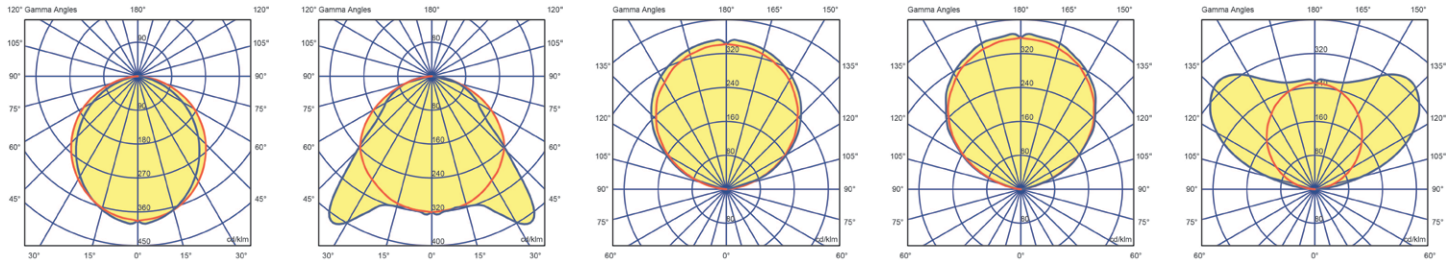
# L-RFT-L

## TECHNICAL DATA

DATE	PROJECT	CATALOG #	FIXTURE TYPE
------	---------	-----------	--------------

## LINEAR RAFT

### PHOTOMETRIC PLOTS



OPTIC	DIFFUSE (DDL)	OPTIC	BATWING (DBL)	OPTIC	BARE BOARD (IBB)	OPTIC	DUST COVER (IDC)	OPTIC	BATWING (IBW)
WATTAGE	27.3	WATTAGE	25.5	WATTAGE	18.3	WATTAGE	19.4	WATTAGE	21.6
LUMENS	2952.8	LUMENS	2952.8	LUMENS	2952.8	LUMENS	2952.8	LUMENS	2952.8
LENGTH	49" (1253 MM)	LENGTH	49" (1253 MM)	LENGTH	49" (1253 MM)	LENGTH	49" (1253 MM)	LENGTH	49" (1253 MM)

### DELIVERED LUMENS AND ENERGY USE

OPTIC	OUTPUT	DELIVERED (LUMENS/FT)	ENERGY (WATTS/FT)	EFFICACY (LPW)
DIRECT DIFFUSE LENS (DDL)	D200	200	1.71	116.81
	D500	500	4.41	113.31
	D750	750	6.93	108.21
	D1000	1000	9.89	101.14
DIRECT BATWING LENS (DBL)	D200	200	1.64	121.63
	D500	500	4.18	119.68
	D750	750	6.47	115.88
	D1000	1000	9.08	110.11
INDIRECT BARE BOARD (IBB)	I200	200	1.22	163.67
	I500	500	3.06	163.14
	I750	750	4.65	161.40
	I1000	1000	6.31	158.48
INDIRECT DUST COVER (IDC)	I1250	1250	8.10	154.38
	I1500	1500	10.06	149.11
	I200	200	1.28	156.11
	I500	500	3.23	154.80
INDIRECT BATWING (IBW)	I750	750	4.92	152.36
	I1000	1000	6.72	148.71
	I1250	1250	8.69	143.85
	I1500	1500	10.89	137.76
INDIRECT DUST COVER (IDC)	I200	200	1.42	140.80
	I500	500	3.60	139.02
	I750	750	5.50	136.39
	I1000	1000	7.54	132.70
INDIRECT BATWING (IBW)	I1250	1250	9.77	127.96

\*Based on 3000k, ≥90CRI. Lumen output and wattage may vary +/-5%.

### CCT MULTIPLIER

CCT	2700K	3000K	3500K	4000K
CRI	90	90	90	90
MULTIPLIER	0.98	1	1	1.03



© 2024 SABIN LLC. ALL RIGHTS RESERVED.  
 CUSTOMIZE AT SABIN.BUILD  
 DATE REVISED 09.23.2025



# NOTES

# L-RFT-L

DATE	PROJECT	CATALOG #	FIXTURE TYPE

## ACOUSTIC MATERIAL

Our PET (polyester) felt panels contain minimum 60% post-consumer recycled polyester staple fiber. It is moisture resistant, fire rated, recyclable, and an outstanding absorber of acoustic energy.

- Fire retardant: ASTM E84 Class A, EN13501 Class B
- Construction: 100% polyester fiber (PET)
- Material certifications: OEKO-TEX® Standard 100, SCS Recycled Content, and Declare

## CARE

Acoustic PET felt: Remove dust with compressed air, a vacuum or lint roller. Aluminum & polymer components: Remove dust and debris with a clean, dry, lint-free cloth.

## CERTIFICATES/LISTING

This product is ETL listed and tested to meet UL standards for lit configurations. It complies with NEC and ANSI/NFPA 70 requirements, is RoHS compliant, and rated IP20 for use in dry, indoor locations only. 90 CRI configurations also meet Title 24 JA8-2016 requirements. Additionally, this product is GREENGUARD Gold certified and holds Declare, OEKO-TEX® Standard 100, and SCS Recycled Content certifications.

## CONSTRUCTION

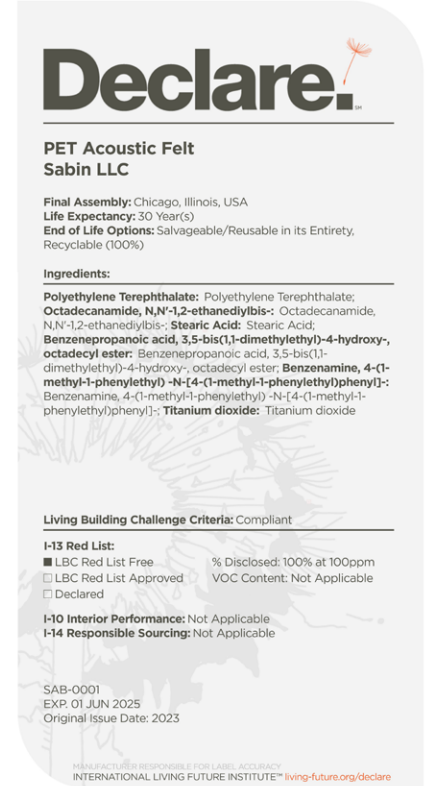
Acoustic luminaire comprised of ≥ 60% recycled PET material utilizing sewn construction to maximize strength, durability, and sound absorbency.

## MOUNTING

Suspended by various methods including 1/16" aircraft cable, straps, grid clips or 3/8" threaded rod (adapters provided, threaded rod by others). Aircraft cable is available in precut lengths of 60" (1524 MM) or custom length from 24" (600 MM) to 120" (3048 MM). For lit units, fabric-covered power cord is provided along with a 5" (127 MM) feed canopy.

## WARRANTY

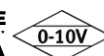
Fixture rated for operation in conditioned environments up to 77°F (25°C). Fixture is warranted to be free from defects and/or failure under normal Use and proper storage for five (5) years from date of shipment.



CONSULT FACTORY FOR SPECIFIC PRODUCT CONFIGURATIONS.

# SABIN

© 2024 SABIN LLC. ALL RIGHTS RESERVED.  
CUSTOMIZE AT SABIN.BUILD  
DATE REVISED 09.23.2025



# 12

PET