

# LINEAR RAFT

# L-RFT-U

UNLIT

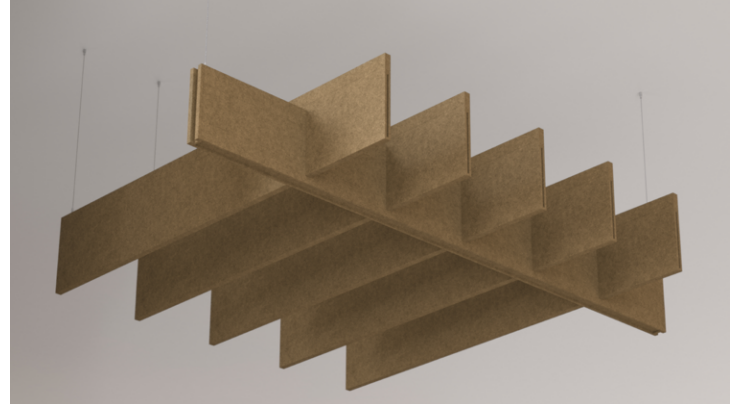
|      |         |           |              |
|------|---------|-----------|--------------|
| DATE | PROJECT | CATALOG # | FIXTURE TYPE |
|------|---------|-----------|--------------|

## OVERVIEW

RAFT is a patterned product using combinations of LINEAR STANDARD and STADIA products to compose unique integrated arrays. Designed to meet a range of acoustic and lighting needs, RAFT is offered lit and unlit, boasting an unparalleled offering with customizable sizes and colors.

## QUICK FACTS

- Configuration with STANDARD or STADIA / LAUTNA
- Baffle spacing available in 8, 12, 16, 20, or 24 IN
- Custom lengths between 26 - 132 IN, widths between 38 - 95 IN, and heights between 12 - 20 IN
- Flexible mounting options for simple retrofit installation
- Optional integration of motion sensors, Wi-Fi, and/or speakers
- NRC rating of .85+



## SPECIFICATIONS

| SERIES   | CONFIGURATION  | LAYOUT  | LENGTH <sup>1,2</sup>  | WIDTH <sup>1</sup>  | HEIGHT <sup>1</sup>           | BAFFLE SPACING              |
|--|--|---|--|---|-------------------------------|-----------------------------|
| L-RFT-U  | SS STANDARD 60 / STANDARD 27   | DS DIRECT SINGLE  | 26" (653 MM) 92" (2328 MM)   | 38" (953 MM)  | 12" (300 MM)                  | 8OC 8" (200 MM) ON CENTER   |
|  | SL STADIA 60 / LAUTNA 27   | DD DIRECT DOUBLE  | 38" (953 MM) 98" (2491 MM) <sup>3</sup>  | 49" (1253 MM)   | 16" (400 MM)                  | 12OC 12" (300 MM) ON CENTER |
|  |  | IS INDIRECT SINGLE  | 49" (1253 MM) 132" (3350 MM) <sup>3</sup>  | 61" (1553 MM)   | 20" (500 MM)                  | 16OC 16" (400 MM) ON CENTER |
|  |  | ID INDIRECT DOUBLE  | 61" (1553 MM) CL___ <sup>4</sup>   | 74" (1878 MM)   | CH___ <sup>6</sup>            | 20OC 20" (500 MM) ON CENTER |
|  |  |   | 74" (1878 MM)  | 86" (2178 MM)   |                               | 24OC 24" (600 MM) ON CENTER |
|  |  |   | 86" (2178 MM)  | 92" (2328 MM)   |                               |                             |
|  |  |   |  | CW___ <sup>5</sup>  |                               |                             |
| FELT COLOR (9 MM)  |  | SUSPENSION TYPE   | CEILING TYPE   | CANOPY <sup>9</sup>   | FACTORY OPTIONS <sup>10</sup> |                             |
| 9___ REPLACE "___" WITH DESIRED COLOR CODE FROM SWATCHES | AC___ 60" AIRCRAFT CABLE + (COLOR CODE) <sup>7</sup><br>ST___ 60" STRAP + (COLOR CODE) <sup>7</sup><br>TRD 3/8" THREADED ROD<br>DT DIRECT TO | HC HARD CEILING <sup>8</sup><br>ST STRUT<br>SG STANDARD GRID<br>TG TEGULAR GRID | NC NO CANOPIES<br>RWH ROUND WHITE<br>RBK ROUND BLACK<br>SWH SQUARE WHITE<br>SBK SQUARE BLACK | CSL___ CUSTOM SUSPENSION LENGTH 24" - 120" <sup>11</sup><br>CT___ CUSTOM THREAD + (COLOR CODE) <sup>7</sup><br>BABA BABA REQUIRED |                               |                             |

1 IMPERIAL DIMENSIONS ARE NOMINAL. ACTUAL DIMENSIONS ARE METRIC.  
 2 LENGTH OF SYSTEM IS EQUAL TO LENGTH OF L-60 FIXTURE.  
 3 PET FELT REQUIRES A VERTICAL PART LINE DOWN CENTER OF BAFFLE.  
 4 CUSTOM LENGTHS AVAILABLE BETWEEN 26" - 132" (653 - 3350 MM).  
 5 CUSTOM WIDTHS AVAILABLE BETWEEN 38" - 95" (953 - 2420 MM).  
 6 CUSTOM HEIGHTS AVAILABLE BETWEEN 12" - 20" (300 - 500 MM).

7 REPLACE "\_\_\_" WITH DESIRED COLOR CODE FROM SWATCHES.  
 8 NOT AVAILABLE IN DIRECT TO SUSPENSION TYPE.  
 9 OPTIONAL 2IN CANOPIES CAN BE INCLUDED FOR CABLE, STRAP, OR GRID SUSPENSION.  
 10 LEAVE BLANK IF NOT APPLICABLE. STRING TOGETHER MULTIPLE SELECTIONS.  
 11 REPLACE "\_\_\_" WITH LENGTH OF DESIRED SUSPENSION.

EXAMPLE CATALOG #: L-RFT-U-SS-DA-49(1253)-49(1253)-12(300)-12OC-9JD-ACBLK-HC-NC

**SABIN**

© 2025 SABIN LLC. ALL RIGHTS RESERVED.  
 CUSTOMIZE AT SABIN.BUILD  
 DATE REVISED 09.23.2025



# COLOR SWATCHES

# L-RFT-U

|      |         |           |              |
|------|---------|-----------|--------------|
| DATE | PROJECT | CATALOG # | FIXTURE TYPE |
|------|---------|-----------|--------------|

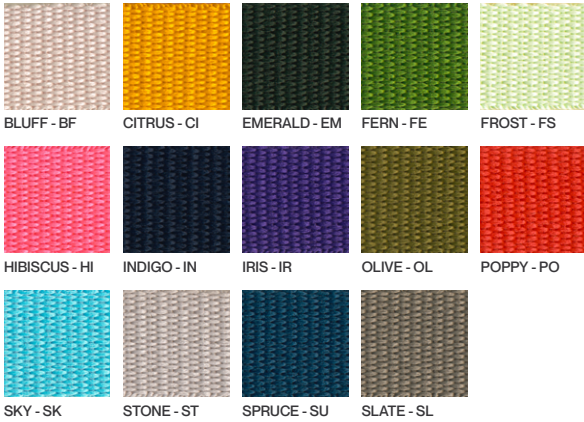
## FELT



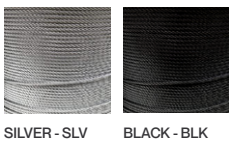
## PIPING



## SUSPENSION STRAP



## AIRCRAFT CABLE



## THREAD

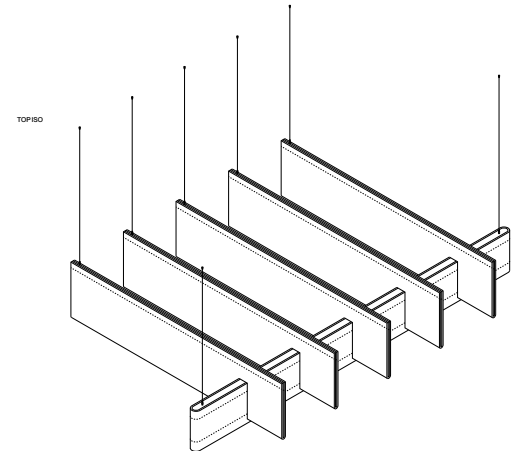
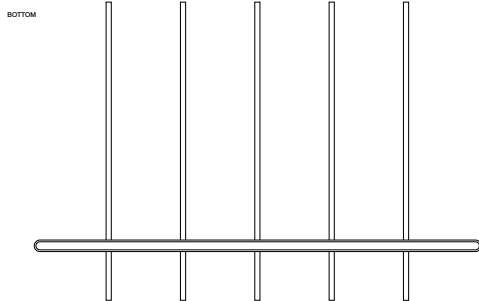
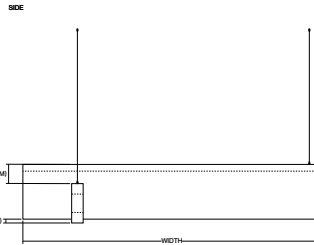
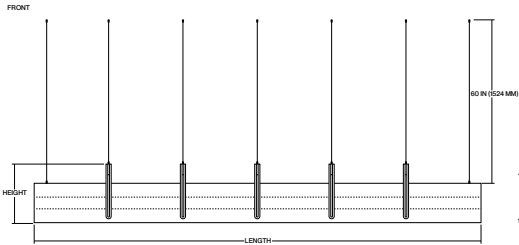
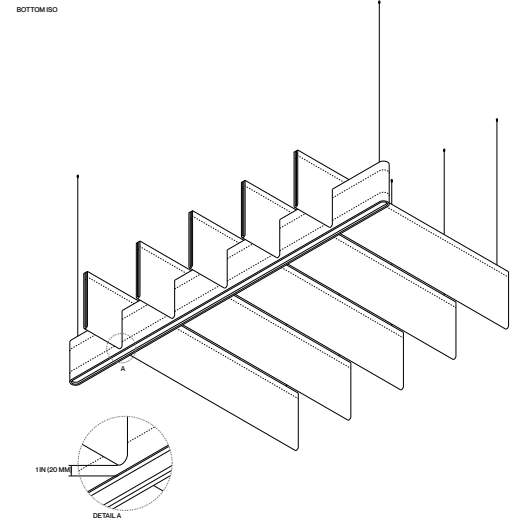
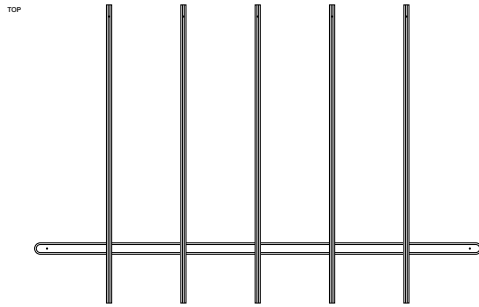


# DIMENSIONS

# L-RFT-U

| DATE | PROJECT | CATALOG # | FIXTURE TYPE |
|------|---------|-----------|--------------|
|------|---------|-----------|--------------|

## DIRECT SINGLE LAUTNA 27/STADIA 60



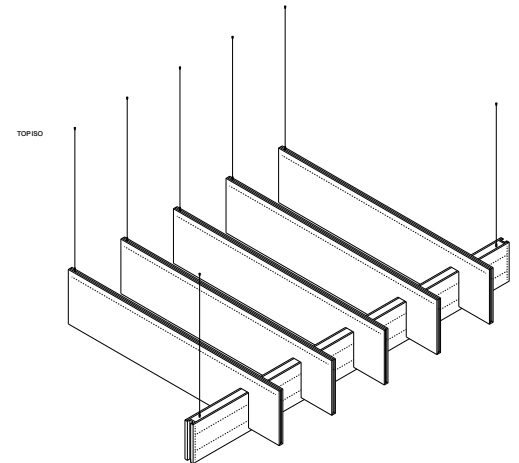
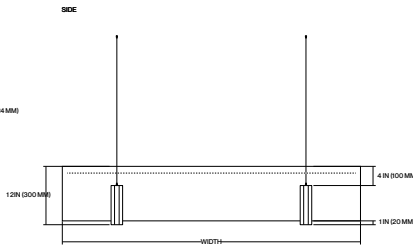
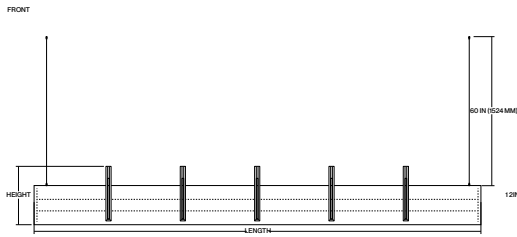
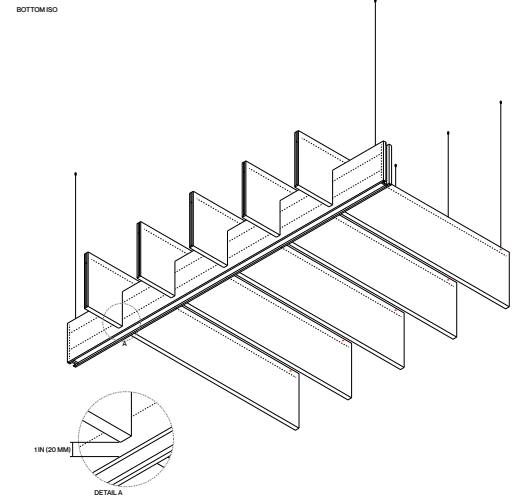
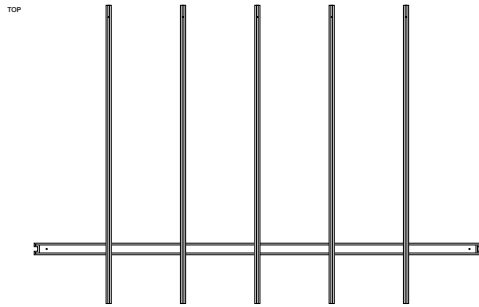
- 1 IMPERIAL DIMENSIONS ARE NOMINAL. ACTUAL DIMENSIONS ARE METRIC.
- 2 ALL STANDARD DIMENSIONS ARE ECO-CONSCIOUS, MAXIMIZING MATERIAL USE AND MINIMIZING WASTE. CUSTOM DIMENSIONS RESULT IN EXCESS MATERIAL WASTE.
- 3 PLEASE CONSULT THE FACTORY FOR WEIGHTS SPECIFIC TO CONFIGURATION.

# DIMENSIONS

# L-RFT-U

| DATE | PROJECT | CATALOG # | FIXTURE TYPE |
|------|---------|-----------|--------------|
|------|---------|-----------|--------------|

## DIRECT SINGLE STANDARD 27/STANDARD 60



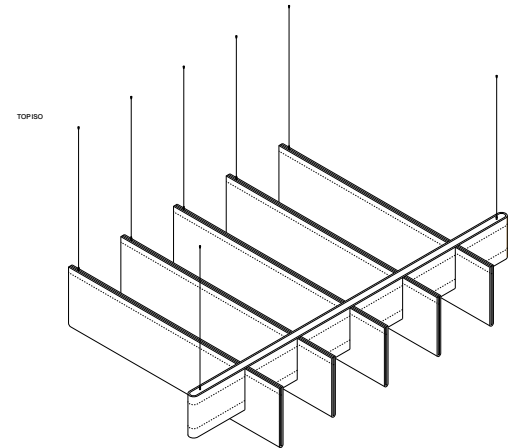
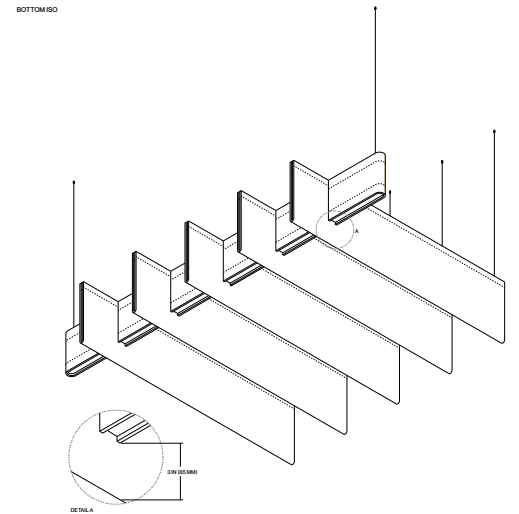
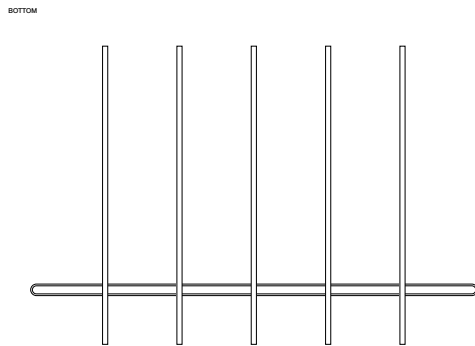
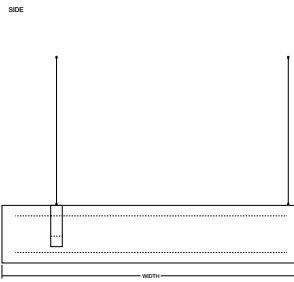
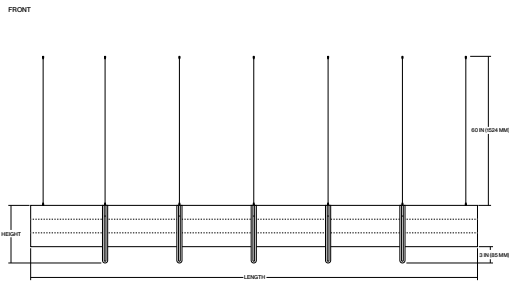
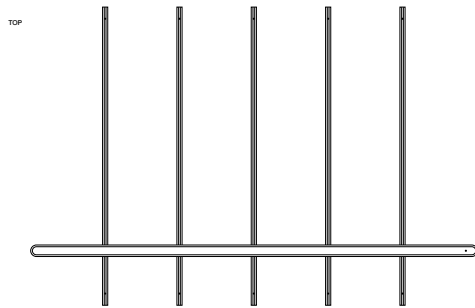
- 1 IMPERIAL DIMENSIONS ARE NOMINAL. ACTUAL DIMENSIONS ARE METRIC.
- 2 ALL STANDARD DIMENSIONS ARE ECO-CONSCIOUS, MAXIMIZING MATERIAL USE AND MINIMIZING WASTE. CUSTOM DIMENSIONS RESULT IN EXCESS MATERIAL WASTE.
- 3 PLEASE CONSULT THE FACTORY FOR WEIGHTS SPECIFIC TO CONFIGURATION.

# DIMENSIONS

# L-RFT-U

| DATE | PROJECT | CATALOG # | FIXTURE TYPE |
|------|---------|-----------|--------------|
|------|---------|-----------|--------------|

## INDIRECT SINGLE LAUTNA 27/STADIA 60



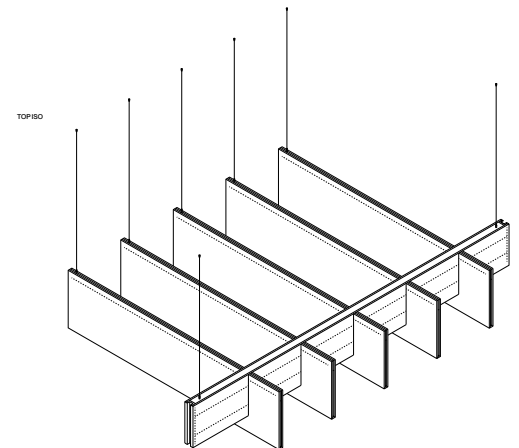
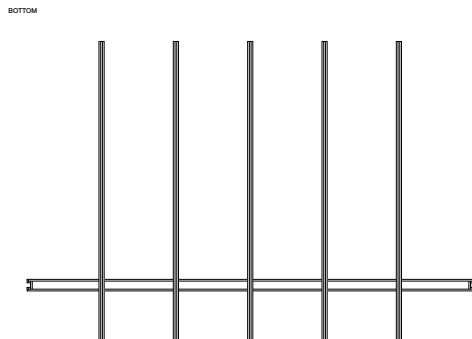
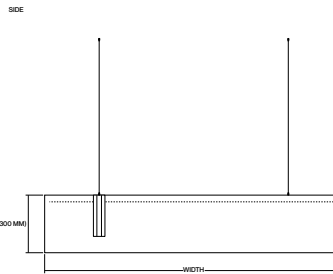
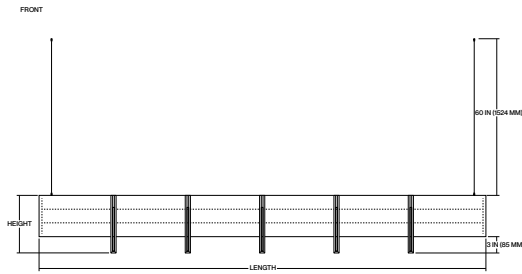
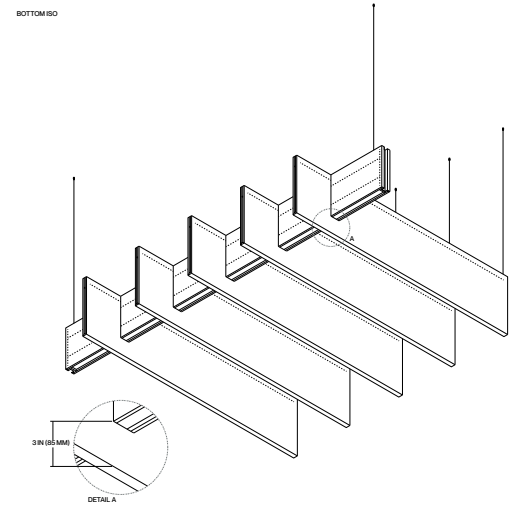
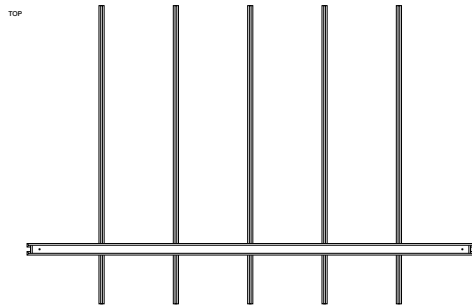
- 1 IMPERIAL DIMENSIONS ARE NOMINAL. ACTUAL DIMENSIONS ARE METRIC.
- 2 ALL STANDARD DIMENSIONS ARE ECO-CONSCIOUS, MAXIMIZING MATERIAL USE AND MINIMIZING WASTE. CUSTOM DIMENSIONS RESULT IN EXCESS MATERIAL WASTE.
- 3 PLEASE CONSULT THE FACTORY FOR WEIGHTS SPECIFIC TO CONFIGURATION.

# DIMENSIONS

# L-RFT-U

|      |         |           |              |
|------|---------|-----------|--------------|
| DATE | PROJECT | CATALOG # | FIXTURE TYPE |
|------|---------|-----------|--------------|

## INDIRECT SINGLE STANDARD 27/STANDARD 60



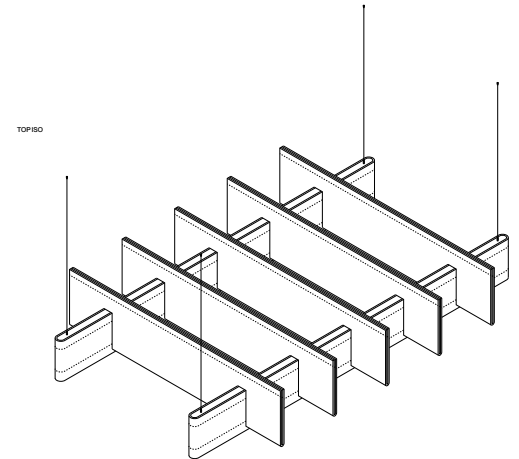
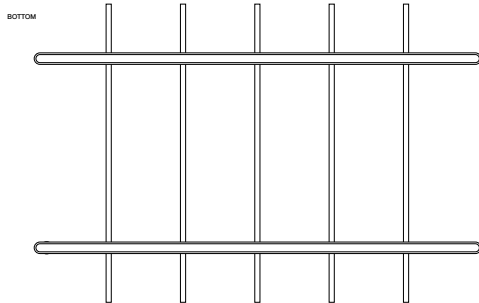
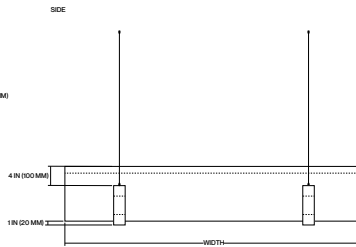
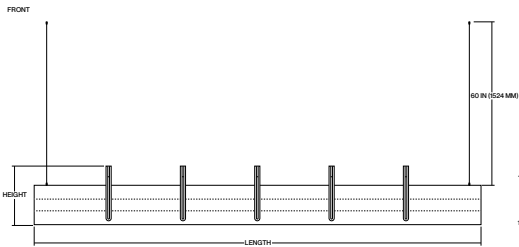
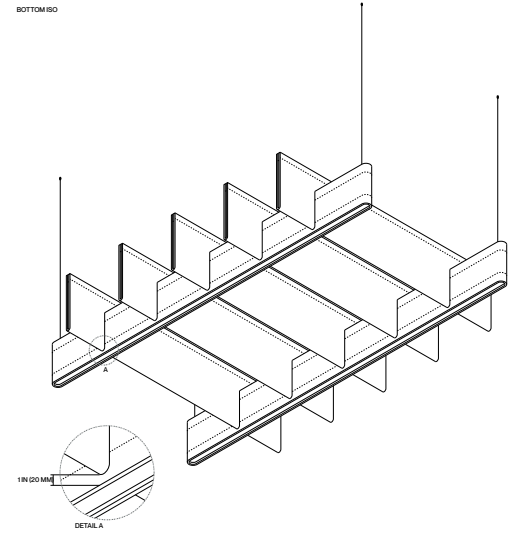
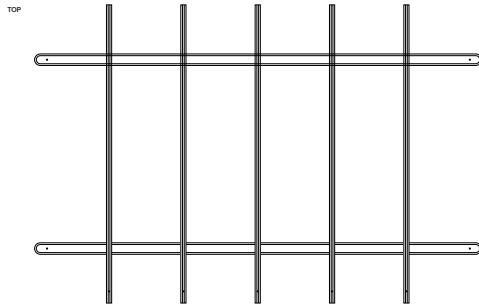
- 1 IMPERIAL DIMENSIONS ARE NOMINAL. ACTUAL DIMENSIONS ARE METRIC.
- 2 ALL STANDARD DIMENSIONS ARE ECO-CONSCIOUS, MAXIMIZING MATERIAL USE AND MINIMIZING WASTE. CUSTOM DIMENSIONS RESULT IN EXCESS MATERIAL WASTE.
- 3 PLEASE CONSULT THE FACTORY FOR WEIGHTS SPECIFIC TO CONFIGURATION.

# DIMENSIONS

# L-RFT-U

| DATE | PROJECT | CATALOG # | FIXTURE TYPE |
|------|---------|-----------|--------------|
|------|---------|-----------|--------------|

## DIRECT DOUBLE LAUTNA 27/STADIA 60



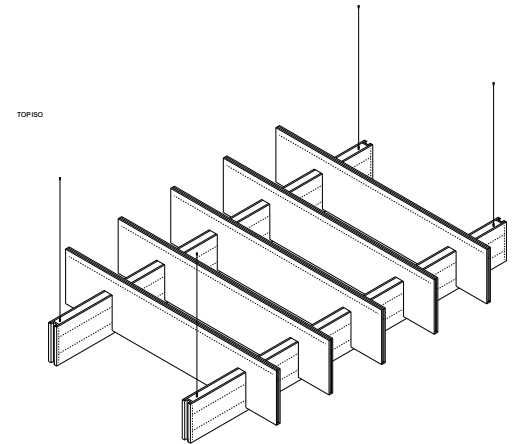
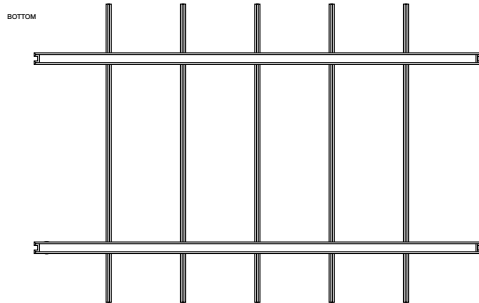
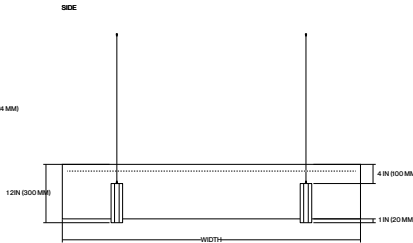
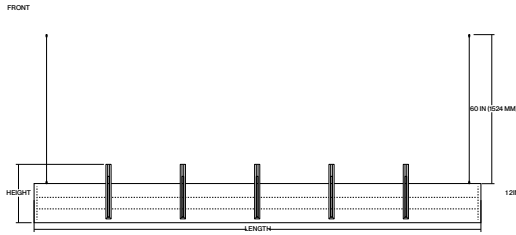
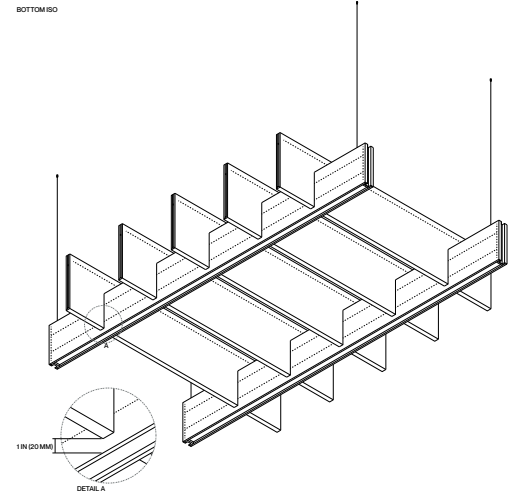
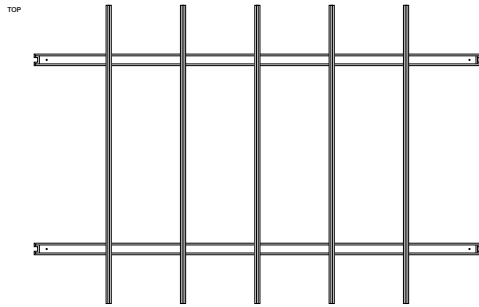
- 1 IMPERIAL DIMENSIONS ARE NOMINAL. ACTUAL DIMENSIONS ARE METRIC.
- 2 ALL STANDARD DIMENSIONS ARE ECO-CONSCIOUS, MAXIMIZING MATERIAL USE AND MINIMIZING WASTE. CUSTOM DIMENSIONS RESULT IN EXCESS MATERIAL WASTE.
- 3 PLEASE CONSULT THE FACTORY FOR WEIGHTS SPECIFIC TO CONFIGURATION.

# DIMENSIONS

# L-RFT-U

|      |         |           |              |
|------|---------|-----------|--------------|
| DATE | PROJECT | CATALOG # | FIXTURE TYPE |
|------|---------|-----------|--------------|

## DIRECT DOUBLE STANDARD 27/STANDARD 60



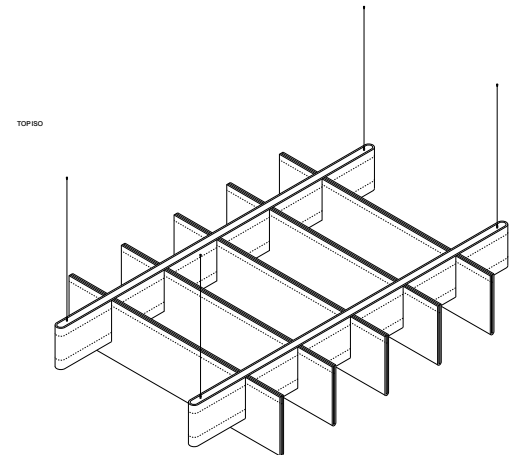
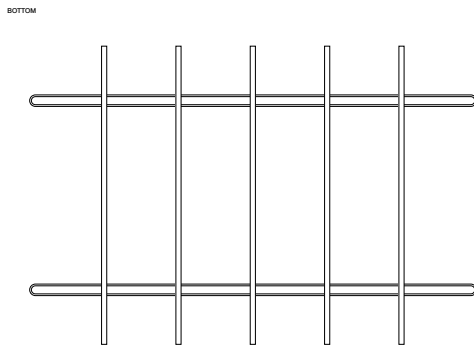
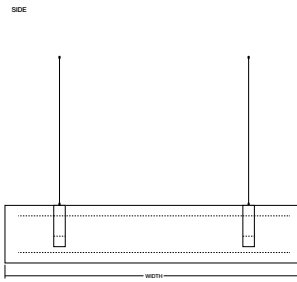
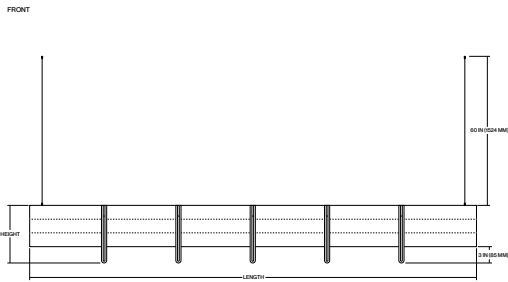
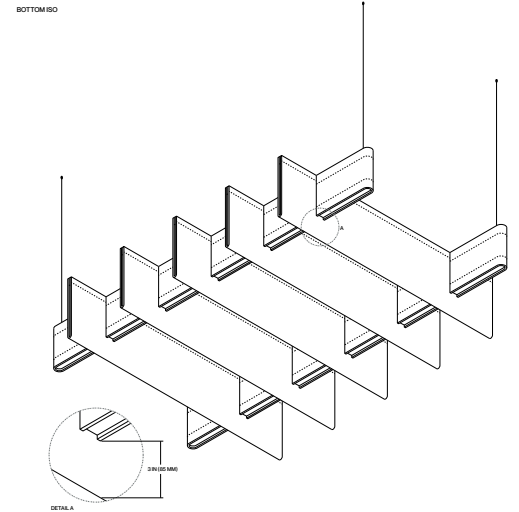
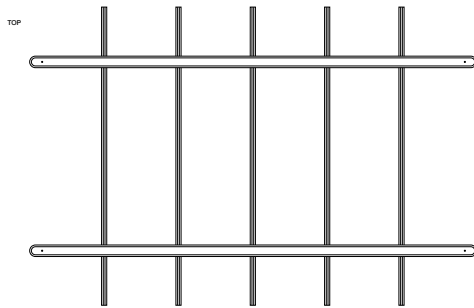
- 1 IMPERIAL DIMENSIONS ARE NOMINAL. ACTUAL DIMENSIONS ARE METRIC.
- 2 ALL STANDARD DIMENSIONS ARE ECO-CONSCIOUS, MAXIMIZING MATERIAL USE AND MINIMIZING WASTE. CUSTOM DIMENSIONS RESULT IN EXCESS MATERIAL WASTE.
- 3 PLEASE CONSULT THE FACTORY FOR WEIGHTS SPECIFIC TO CONFIGURATION.

# DIMENSIONS

# L-RFT-U

| DATE | PROJECT | CATALOG # | FIXTURE TYPE |
|------|---------|-----------|--------------|
|------|---------|-----------|--------------|

## INDIRECT DOUBLE LAUTNA 27/STADIA 60



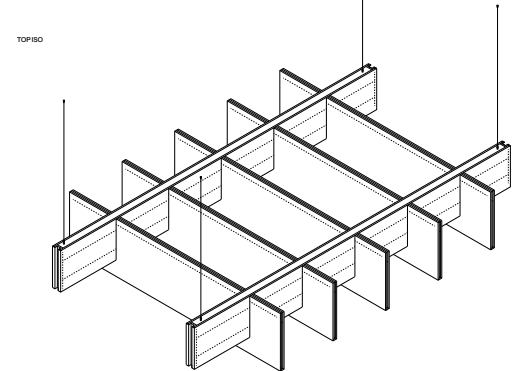
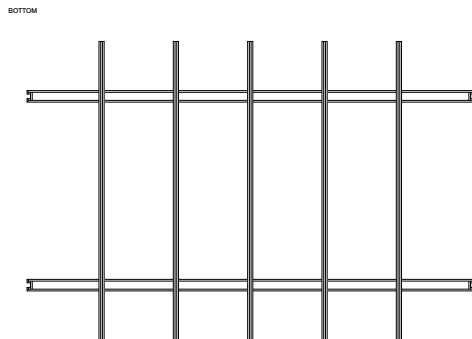
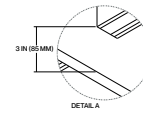
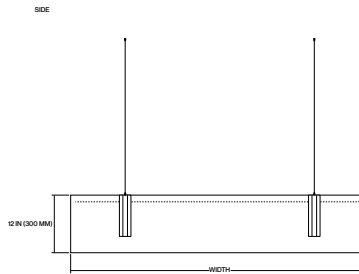
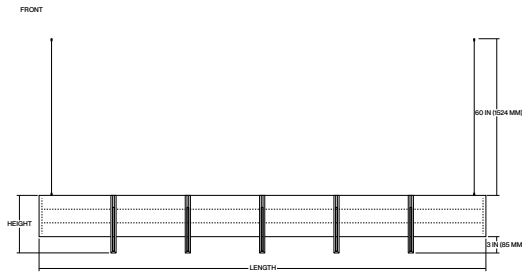
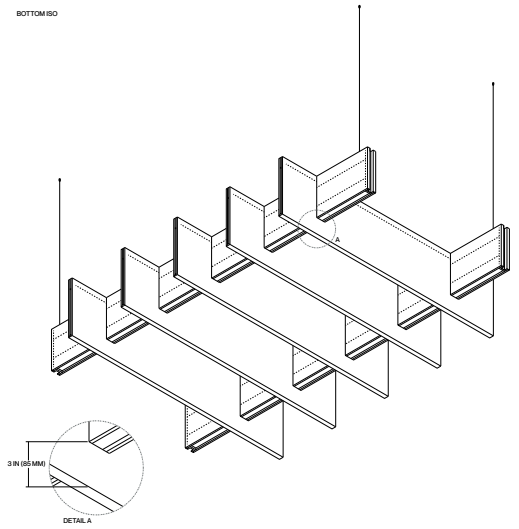
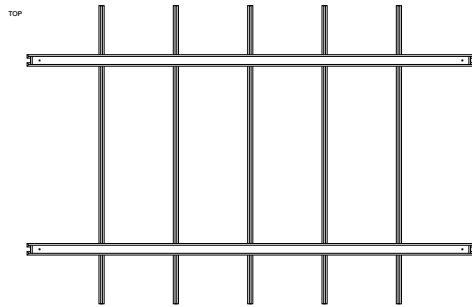
- 1 IMPERIAL DIMENSIONS ARE NOMINAL. ACTUAL DIMENSIONS ARE METRIC.
- 2 ALL STANDARD DIMENSIONS ARE ECO-CONSCIOUS, MAXIMIZING MATERIAL USE AND MINIMIZING WASTE. CUSTOM DIMENSIONS RESULT IN EXCESS MATERIAL WASTE.
- 3 PLEASE CONSULT THE FACTORY FOR WEIGHTS SPECIFIC TO CONFIGURATION.

# DIMENSIONS

# L-RFT-U

|      |         |           |              |
|------|---------|-----------|--------------|
| DATE | PROJECT | CATALOG # | FIXTURE TYPE |
|------|---------|-----------|--------------|

## INDIRECT DOUBLE STANDARD 27/STANDARD 60



- 1 IMPERIAL DIMENSIONS ARE NOMINAL. ACTUAL DIMENSIONS ARE METRIC.
- 2 ALL STANDARD DIMENSIONS ARE ECO-CONSCIOUS, MAXIMIZING MATERIAL USE AND MINIMIZING WASTE. CUSTOM DIMENSIONS RESULT IN EXCESS MATERIAL WASTE.
- 3 PLEASE CONSULT THE FACTORY FOR WEIGHTS SPECIFIC TO CONFIGURATION.

| DATE | PROJECT | CATALOG # | FIXTURE TYPE |
|------|---------|-----------|--------------|
|      |         |           |              |

## ACOUSTIC MATERIAL

Our PET (polyester) felt panels contain minimum 60% post-consumer recycled polyester staple fiber. It is moisture resistant, fire rated, recyclable, and an outstanding absorber of acoustic energy.

- Fire retardant: ASTM E84 Class A, EN13501 Class B
- Construction: 100% polyester fiber (PET)
- Material certifications: OEKO-TEX® Standard 100, SCS Recycled Content, and Declare

## CARE

Acoustic PET felt: Remove dust with compressed air, a vacuum or lint roller. Aluminum & polymer components: Remove dust and debris with a clean, dry, lint-free cloth.

## CERTIFICATES/LISTING

This product is ETL listed and tested to meet UL standards for lit configurations. It complies with NEC and ANSI/NFPA 70 requirements, is RoHS compliant, and rated IP20 for use in dry, indoor locations only. 90 CRI configurations also meet Title 24 JA8-2016 requirements. Additionally, this product is GREENGUARD Gold certified and holds Declare, OEKO-TEX® Standard 100, and SCS Recycled Content certifications.

## CONSTRUCTION

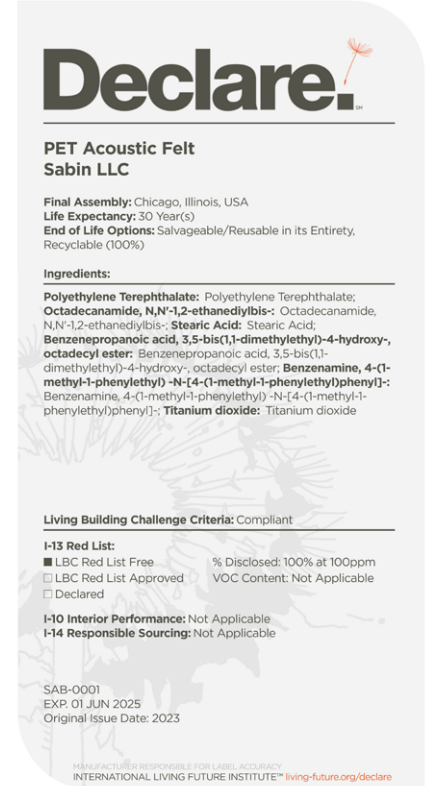
Acoustic luminaire comprised of ≥ 60% recycled PET material utilizing sewn construction to maximize strength, durability, and sound absorbency.

## MOUNTING

Suspended by various methods including 1/16" aircraft cable, straps, grid clips or 3/8" threaded rod (adapters provided, threaded rod by others). Aircraft cable is available in pre-cut lengths of 60" (1524 MM) or custom length from 24" (600 MM) to 120" (3048 MM). For lit units, fabric-covered power cord is provided along with a 5" (127 MM) feed canopy.

## WARRANTY

Fixture rated for operation in conditioned environments up to 77°F (25°C). Fixture is warranted to be free from defects and/or failure under normal Use and proper storage for five (5) years from date of shipment.



CONSULT FACTORY FOR SPECIFIC PRODUCT CONFIGURATIONS.