

LINEAR SPOKE

L-60-L-SPK

LIT

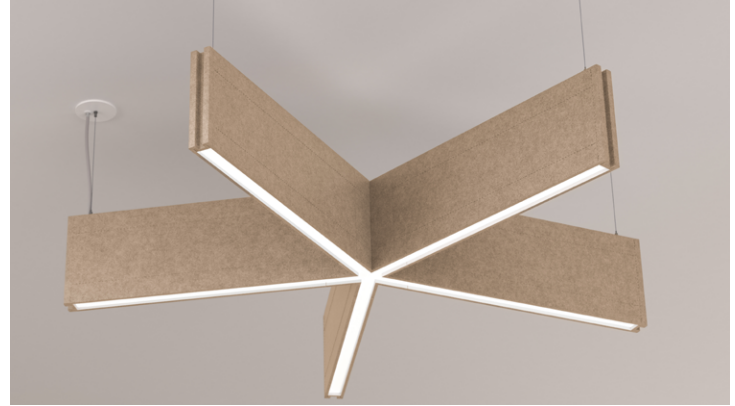
DATE	PROJECT	CATALOG #	FIXTURE TYPE
------	---------	-----------	--------------

OVERVIEW

SPOKE offers limitless design opportunities, featuring multipoint connections and patented connection points for seamless designs. Tailor your patterned SPOKE configuration with many colors, heights, and optics options, creating a unique spoke configuration with 3–8 legs in your desired lengths.

QUICK FACTS

- Available in any Surface Style
- Direct, indirect, or bidirectional light output
- Available in 2700/3000/3500/4000 CCT at 90+ Color Rendering Index (CRI)
- Build with up to 8 legs, 86 IN in length
- Custom heights between 8 - 47 IN
- Optional integration of motion sensors, Wi-Fi, and/or speakers
- NRC rating of .95



SPECIFICATIONS

SERIES	# OF LEGS + LENGTH ^{1,2,3,4}	HEIGHT ¹	DIRECT OUTPUT		DIRECT OPTIC		INDIRECT OUTPUT					
L-60-L-SPK	___/26" (653 MM) ___/38" (953 MM) ___/49" (1253 MM) ___/61" (1553 MM) ___/74" (1878 MM) ___/86" (2178 MM) ___/CL___ ⁵	8" (200 MM) 11" (285 MM) 16" (400 MM) 20" (500 MM) 23" (585 MM) 47" (1200 MM) CH___ ⁶	DNA	NO OUTPUT	DNO	NO OUTPUT (FELT INSERT)	INA	NO OUTPUT				
			D200	200 LM/FT	DDL	DIFFUSE LENS	I200	200 LM/FT				
			D500	500 LM/FT	DBL	BATWING	I500	500 LM/FT				
			D750	750 LM/FT			I750	750 LM/FT				
			D1000	1000 LM/FT			I1000	1000 LM/FT				
			D1250	1250 LM/FT			I1250	1250 LM/FT				
			D1500	1500 LM/FT ⁷			I1500	1500 LM/FT				
			CDO___	CUSTOM OUTPUT			CIO___	CUSTOM OUTPUT				
INDIRECT OPTIC		CRI/CCT	CIRCUIT		CONTROL	VOLTAGE	FELT COLOR (9 MM)		CORD COLOR ⁸			
INO	NO OUTPUT	927K	SC	SINGLE CIRCUIT	10	0-10V TO 1%	UNV	120V/277V	9___	REPLACE "___" WITH DESIRED COLOR CODE FROM SWATCHES	PC___	REPLACE "___" WITH DESIRED COLOR CODE FROM SWATCHES
IBB	BARE BOARD	930K	DC	DUAL CIRCUIT			347	347V				
IDC	DUST COVER	935K		(SHARED DIMMING)								
IBW	BATWING	940K										
SUSPENSION TYPES			CEILING TYPES		CANOPY ¹¹		FACTORY OPTIONS ¹²					
AC___	60" AIRCRAFT CABLE + (COLOR CODE) ⁹		HC	HARD CEILING ¹⁰	RWH	ROUND WHITE	CSL___	CUSTOM SUSPENSION LENGTH ^{24"} - 120" ¹³				
ST___	60" STRAP + (COLOR CODE) ⁹		ST	STRUT	RBK	ROUND BLACK	EM	EMERGENCY BATTERY ¹⁴				
TRD	3/8" THREADED ROD		SG	STANDARD GRID	SWH	SQUARE WHITE	CT___	CUSTOM THREAD + (COLOR CODE) ⁹				
DT	DIRECT TO		TG	TEGULAR GRID	SBK	SQUARE BLACK	2CP	INCLUDE 2" CANOPIES				
							CF	CENTER FEED				
							BABA	BABA REQUIRED				
							FF	FINE FLUTE - SURFACE STYLE				
							MF	MID FLUTE - SURFACE STYLE				
							WF	WIDE FLUTE - SURFACE STYLE				

1 IMPERIAL DIMENSIONS ARE NOMINAL. ACTUAL DIMENSIONS ARE METRIC.
 2 INCLUDE THE QUANTITY OF SPOKE LEGS (3 - 8) IN BLANK BEFORE LEG LENGTH.
 3 ILLUMINATED SECTION OF LEG IS 1" (27.5 MM) SHORTER THAN LEG LENGTH.
 4 MINIMUM LENGTH FOR A BI-DIRECTIONAL UNIT IN A DUAL CIRCUIT CONFIGURATION IS 38" (953 MM).
 5 CUSTOM LENGTHS AVAILABLE BETWEEN 26" - 86" (653 - 2178 MM).
 6 CUSTOM HEIGHTS AVAILABLE BETWEEN 8" - 47" (200 - 1200 MM).
 7 1500LM/FT NOT AVAILABLE IN DIRECT OUTPUT AT 927K CRI/CCT.

8 POWER CABLE IS 18" LONGER THAN SUSPENSION LENGTH. CONSULT FACTORY FOR LONGER LENGTHS.
 9 REPLACE "___" WITH DESIRED COLOR CODE FROM SWATCHES.
 10 NOT AVAILABLE IN DIRECT TO SUSPENSION TYPE.
 11 5" (127 MM) CANOPY PROVIDED FOR FEED. 2" (50.8 MM) CANOPY FOR NON-FEED PROVIDED UPON REQUEST.
 12 LEAVE BLANK IF NOT APPLICABLE. STRING TOGETHER MULTIPLE SELECTIONS.
 13 REPLACE "___" WITH LENGTH OF DESIRED SUSPENSION.
 14 MINIMUM LENGTH FOR EM IS 49" (1253 MM).

EXAMPLE CATALOG #: L-60-L-SPK-5/38(953)-8(200)-D1000-DDL-I1250-IBB-935K-DC-10-UNV-9SD-PCST-STBF-HC-SWH-CF-BABA-FF

SABIN

© 2025 SABIN LLC. ALL RIGHTS RESERVED.
 CUSTOMIZE AT SABIN.BUILD
 DATE REVISED 09.17.2025



COLOR SWATCHES

L-60-L-SPK

DATE	PROJECT	CATALOG #	FIXTURE TYPE
------	---------	-----------	--------------

FELT



POWER CORD



SUSPENSION STRAP



THREAD



AIRCRAFT CABLE



SURFACE STYLES

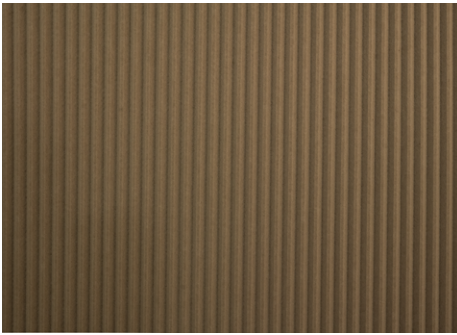
L-60-L-SPK

9MM FELT

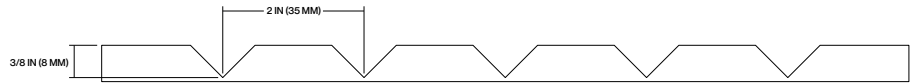
DATE	PROJECT	CATALOG #	FIXTURE TYPE
------	---------	-----------	--------------

Our foundational surface styles utilize our 9mm felt and are designed to accommodate distinctly unique design expressions. Contact the factory for custom colors and styles. Each style is available in 16 colors.

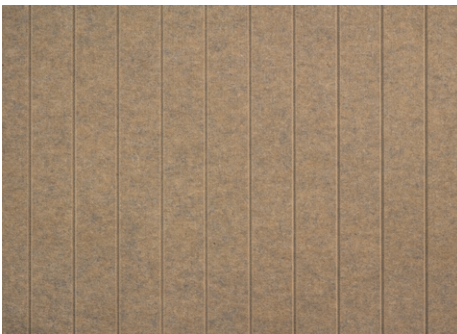
FINE FLUTE



MID FLUTE



WIDE FLUTE



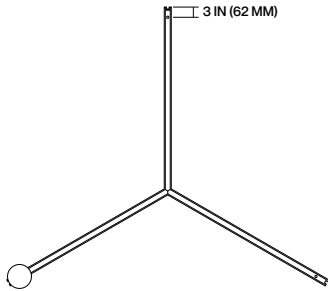
DIMENSIONS

L-60-L-SPK

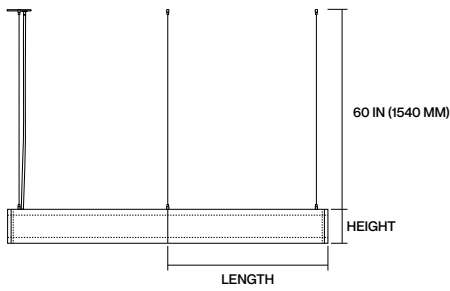
DATE	PROJECT	CATALOG #	FIXTURE TYPE
------	---------	-----------	--------------

3 LEG

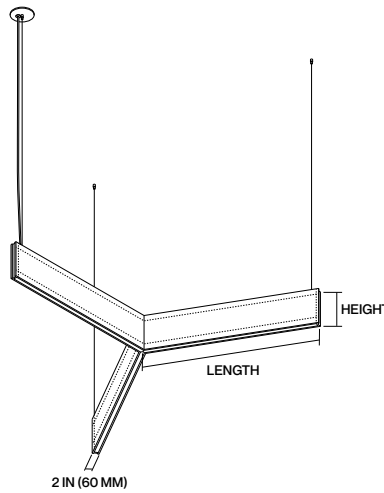
TOP



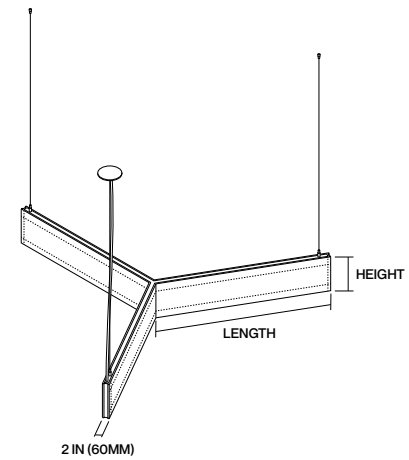
FRONT



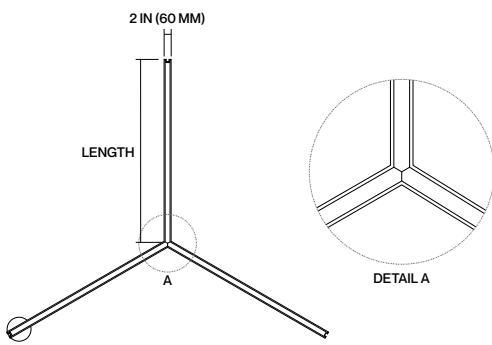
BOTTOM ISO



TOP ISO



BOTTOM



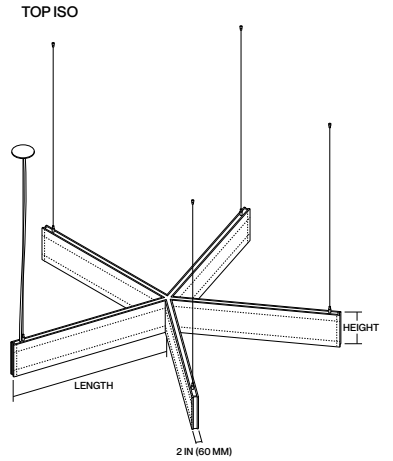
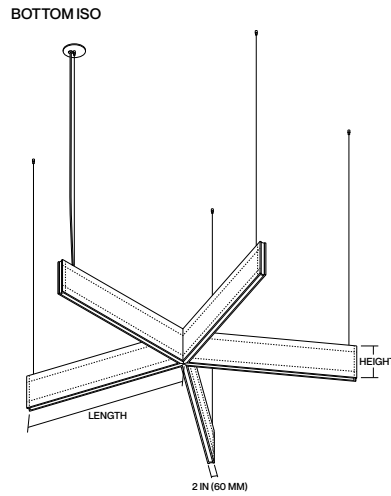
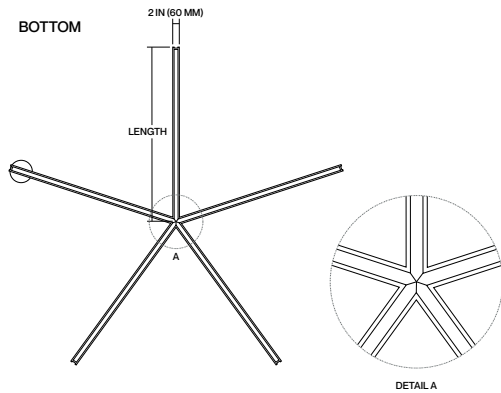
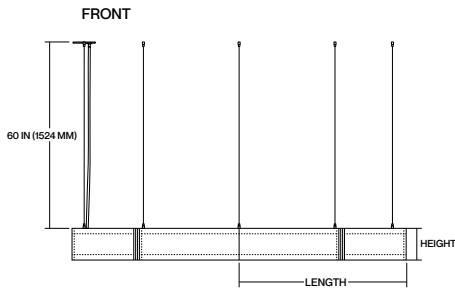
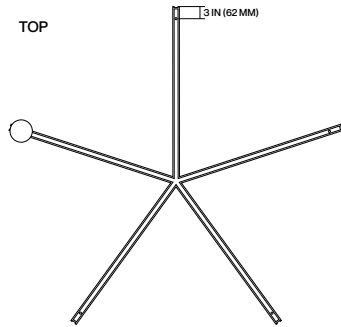
- 1 IMPERIAL DIMENSIONS ARE NOMINAL. ACTUAL DIMENSIONS ARE METRIC.
- 2 ALL STANDARD DIMENSIONS ARE ECO-CONSCIOUS. MAXIMIZING MATERIAL USE AND MINIMIZING WASTE. CUSTOM DIMENSIONS RESULT IN EXCESS MATERIAL WASTE.
- 3 PLEASE CONSULT THE FACTORY FOR WEIGHTS SPECIFIC TO CONFIGURATION.

DIMENSIONS

L-60-L-SPK

DATE	PROJECT	CATALOG #	FIXTURE TYPE
------	---------	-----------	--------------

5 LEG



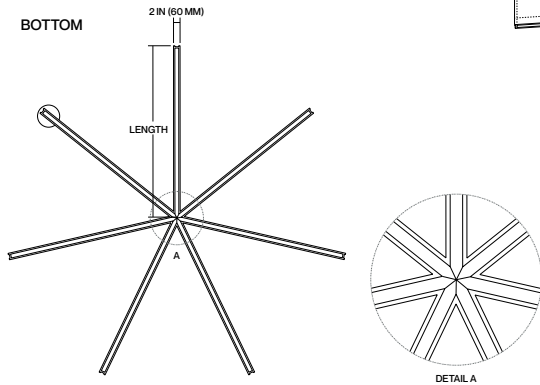
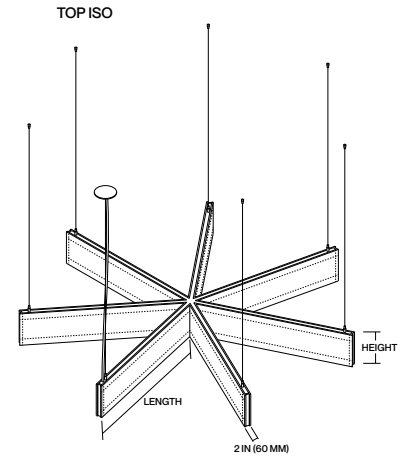
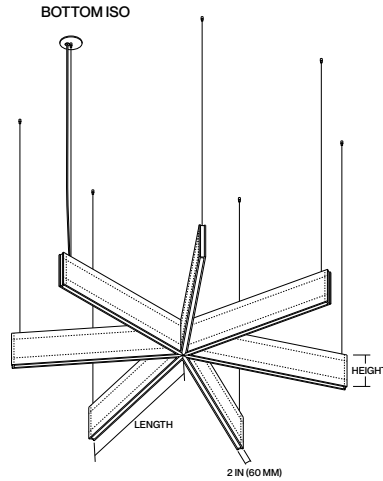
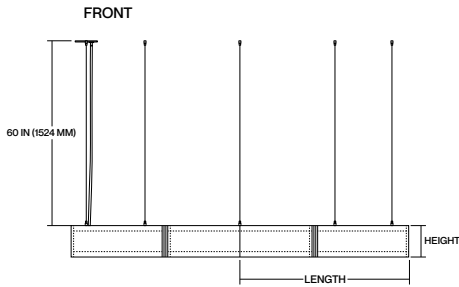
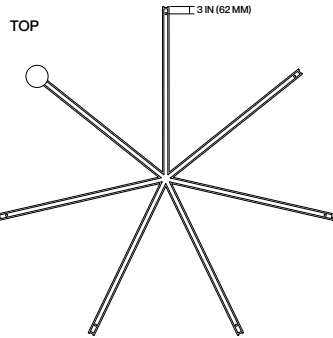
- 1 IMPERIAL DIMENSIONS ARE NOMINAL. ACTUAL DIMENSIONS ARE METRIC.
- 2 ALL STANDARD DIMENSIONS ARE ECO-CONSCIOUS, MAXIMIZING MATERIAL USE AND MINIMIZING WASTE. CUSTOM DIMENSIONS RESULT IN EXCESS MATERIAL WASTE.
- 3 PLEASE CONSULT THE FACTORY FOR WEIGHTS SPECIFIC TO CONFIGURATION.

DIMENSIONS

L-60-L-SPK

DATE	PROJECT	CATALOG #	FIXTURE TYPE

7 LEG



- 1 IMPERIAL DIMENSIONS ARE NOMINAL. ACTUAL DIMENSIONS ARE METRIC.
- 2 ALL STANDARD DIMENSIONS ARE ECO-CONSCIOUS. MAXIMIZING MATERIAL USE AND MINIMIZING WASTE. CUSTOM DIMENSIONS RESULT IN EXCESS MATERIAL WASTE.
- 3 PLEASE CONSULT THE FACTORY FOR WEIGHTS SPECIFIC TO CONFIGURATION.

ACOUSTIC PERFORMANCE

L-60-L-SPK

TECHNICAL DATA

DATE	PROJECT	CATALOG #	FIXTURE TYPE
------	---------	-----------	--------------

LINEAR SPOKE

ALL SABIN PRODUCTS ARE SUBJECT TO ACOUSTIC TESTING. PERFORMANCE VALUES WILL VARY BASED ON INSTALLATION FACTORS SUCH AS DENSITY AND MOUNTING HEIGHT.

SABINS A SABIN IS A UNIT OF SOUND ABSORPTION DEFINED AS THE AMOUNT OF SOUND ABSORBED BY ONE SQUARE FOOT OF A PERFECT ABSORBER. IT WAS INITIALLY CONCEIVED AS THE EQUIVALENT OF 1 SQUARE FOOT OF OPEN WINDOW, REFLECTING NO SOUND BACK INTO THE INTERIOR. SABINS ARE USED TO EXPRESS THE TOTAL EFFECTIVE ABSORPTION FOR THE INTERIOR OF A ROOM. THIS CHART INDICATES AVERAGE SABINS PER UNIT AT THE NOTED FREQUENCIES WHICH REPRESENT THE TYPICAL RANGE OF HUMAN SPEECH OF 200-2500 HZ.

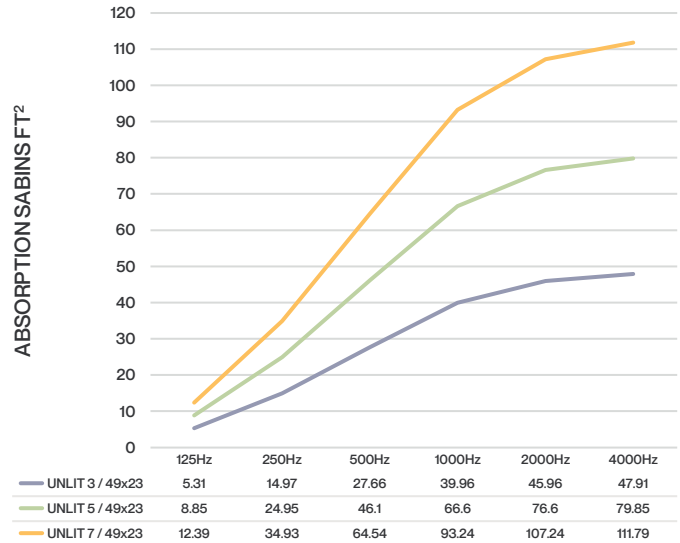
NRC NOISE REDUCTION COEFFICIENT (NRC) IS A SINGLE NUMBER VALUE RANGING FROM 0.0 TO 1.0 THAT DESCRIBES THE AVERAGE SOUND ABSORPTION PERFORMANCE OF A MATERIAL. AN NRC OF 0.0 INDICATES THE OBJECT DOES NOT ABSORB MID-FREQUENCY SOUND ENERGY, BUT REFLECTS IT. AN NRC OF 1.0 INDICATES THAT THE SOUND ABSORPTION PERFORMANCE OF THE MATERIAL IS EQUAL TO ITS SURFACE AREA (MEASURED IN UNITS SABIN), OR CONCEPTUALLY 100% SOUND ABSORPTION.

PROJECTED NRC = .95

TOTAL SOUND ABSORPTION WILL VARY BASED ON DESIGNED PRODUCT CONFIGURATION. SABIN TESTS ALL PRODUCTS IN MULTIPLE CONFIGURATIONS. PLEASE CONTACT SABIN OR YOUR LOCAL AGENT FOR MORE INFORMATION.

LINEAR SPOKE

ACOUSTIC PERFORMANCE



LIGHTING PERFORMANCE

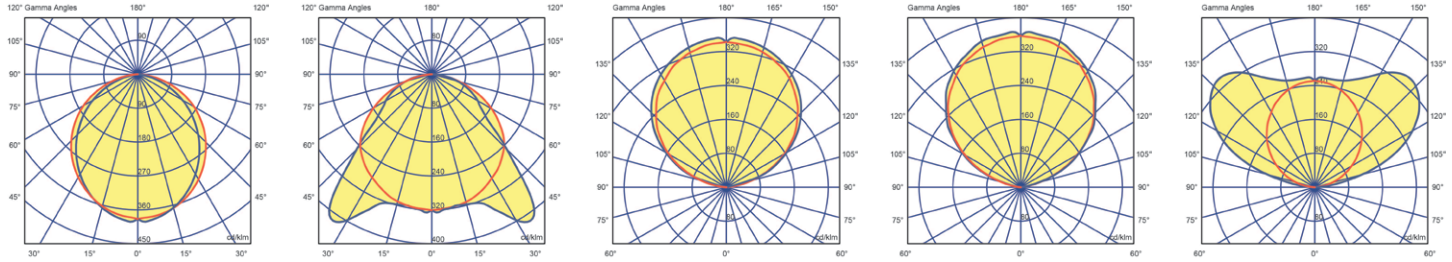
L-60-L-SPK

TECHNICAL DATA

DATE	PROJECT	CATALOG #	FIXTURE TYPE
------	---------	-----------	--------------

LINEAR SPOKE

PHOTOMETRIC PLOTS



OPTIC	DIFFUSE (DDL)	OPTIC	BATWING (DBL)	OPTIC	BARE BOARD (IBB)	OPTIC	DUST COVER (IDC)	OPTIC	BATWING (IBW)
WATTAGE	27.3	WATTAGE	25.5	WATTAGE	18.3	WATTAGE	19.4	WATTAGE	21.6
LUMENS	2952.8	LUMENS	2952.8	LUMENS	2952.8	LUMENS	2952.8	LUMENS	2952.8
LENGTH	49" (1253 MM)	LENGTH	49" (1253 MM)	LENGTH	49" (1253 MM)	LENGTH	49" (1253 MM)	LENGTH	49" (1253 MM)

DELIVERED LUMENS AND ENERGY USE

OPTIC	OUTPUT	DELIVERED (LUMENS/FT)	ENERGY (WATTS/FT)	EFFICACY (LPW)
DIRECT DIFFUSE LENS (DDL)	D200	200	1.71	116.81
	D500	500	4.41	113.31
	D750	750	6.93	108.21
	D1000	1000	9.89	101.14
DIRECT BATWING LENS (DBL)	D200	200	1.64	121.63
	D500	500	4.18	119.68
	D750	750	6.47	115.88
	D1000	1000	9.08	110.11
INDIRECT BARE BOARD (IBB)	I200	200	1.22	163.67
	I500	500	3.06	163.14
	I750	750	4.65	161.40
	I1000	1000	6.31	158.48
INDIRECT DUST COVER (IDC)	I1250	1250	8.10	154.38
	I1500	1500	10.06	149.11
	I200	200	1.28	156.11
	I500	500	3.23	154.80
INDIRECT BATWING (IBW)	I750	750	4.92	152.36
	I1000	1000	6.72	148.71
	I1250	1250	8.69	143.85
	I1500	1500	10.89	137.76
INDIRECT BARE BOARD (IBB)	I200	200	1.42	140.80
	I500	500	3.60	139.02
	I750	750	5.50	136.39
	I1000	1000	7.54	132.70
INDIRECT BARE BOARD (IBB)	I1250	1250	9.77	127.96

*Based on 3000k, ≥90CRI. Lumen output and wattage may vary +/-5%.

CCT MULTIPLIER

CCT	2700K	3000K	3500K	4000K
CRI	90	90	90	90
MULTIPLIER	0.98	1	1	1.03



© 2025 SABIN LLC. ALL RIGHTS RESERVED.
 CUSTOMIZE AT SABIN.BUILD
 DATE REVISED 09.17.2025



DATE	PROJECT	CATALOG #	FIXTURE TYPE
------	---------	-----------	--------------

ACOUSTIC MATERIAL

Our PET (polyester) felt panels contain minimum 60% post-consumer recycled polyester staple fiber. It is moisture resistant, fire rated, recyclable, and an outstanding absorber of acoustic energy.

- Fire retardant: ASTM E84 Class A, EN13501 Class B
- Construction: 100% polyester fiber (PET)
- Material certifications: OEKO-TEX® Standard 100, SCS Recycled Content, and Declare

CARE

Acoustic PET felt: Remove dust with compressed air, a vacuum or lint roller. Aluminum & polymer components: Remove dust and debris with a clean, dry, lint-free cloth.

CERTIFICATES/LISTING

This product is ETL listed and tested to meet UL standards for lit configurations. It complies with NEC and ANSI/NFPA 70 requirements, is RoHS compliant, and rated IP20 for use in dry, indoor locations only. 90 CRI configurations also meet Title 24 JA8-2016 requirements. Additionally, this product is GREENGUARD Gold certified and holds Declare, OEKO-TEX® Standard 100, and SCS Recycled Content certifications.

CONSTRUCTION

Acoustic luminaire comprised of ≥ 60% recycled PET material utilizing sewn construction to maximize strength, durability, and sound absorbency.

DIMMING (LIT ONLY)

Standard 120-277V constant current driver includes 0-10V analog dimming to 1%. Options for Lutron EcoSystem at 120/277V, TRIAC/ELV DALI, DMX, and Warm Dim available on select products. Consult factory.

ELECTRICAL (LIT ONLY)

High quality Class P isolated power supply with universal (120-277VAC) and 347V input voltage. Meets UL operation rating dry & damp (IP40) max 185°F (85°C) for 50,000 hour life. Luminaries are pre-wired with factory installed branch circuit wiring.

Power Factor:

- 0.95 @ 120VAC
- 0.90 @ 277VAC
- 0.90 @ 347VAC

For fixtures specified with an emergency battery/driver: 6W-20W integral battery (output dependent) with self-testing/metal test switch/indicator light (bi-color). Up to 15% of total lumen output for a minimum of 90 minutes. Listed to UL924 and tested to CSA 22.2 No.141 Field or Factory Installation (Indoor and Damp). Output Class 2 Compliant. Input CEC Title 20 Compliant.

ESTIMATED LIFETIME (LIT ONLY)

L70 = >60,000 Hours. Luminous flux maintenance life L70(9k) based on IES TM-28-147 9000-hour test at Ta= 45°C.

CONSULT FACTORY FOR SPECIFIC PRODUCT CONFIGURATIONS.

SABIN

© 2025 SABIN LLC. ALL RIGHTS RESERVED.
 CUSTOMIZE AT SABIN.BUILD
 DATE REVISED 09.17.2025

LED LIGHT ENGINE (LIT ONLY)

Light module incorporates premium LEDs with heat sink to maximum lifetime. Available in 2700K, 3000K, 3500K or 4000K CCT with ≥90 CRI. Color accuracy = minimum 2.2x SDCM @ 3000K ±66K ΔLUV +0.0004 Standard deviation color matching (SDCM) based on ANSI standard C78.377A indicating the visible variance in correlated color temperature, also referred to as “MacAdam ellipse.”

MOUNTING

Suspended by various methods including 1/16” aircraft cable, straps, grid clips or 3/8” threaded rod (adapters provided, threaded rod by others). Aircraft cable is available in precut lengths of 60” (1524 MM) or custom length from 24” (600 MM) to 120” (3048 MM). For lit units, fabric-covered power cord is provided along with a 5” (127 MM) feed canopy.

OPTICS (LIT ONLY)

Injection molded, cut or extruded acrylic lens designed for efficient and homogeneous light distribution with superior color over angle performance. Beam control available on select configurations down to 15° and up to +90°. Optics are field changeable.

WARRANTY

Fixture rated for operation in conditioned environments up to 77°F (25°C). Fixture is warranted to be free from defects and/or failure under normal use and proper storage for five (5) years from date of shipment.



Declare.

PET Acoustic Felt
 Sabin LLC

Final Assembly: Chicago, Illinois, USA
 Life Expectancy: 30 Year(s)
 End of Life Options: Salvageable/Reusable in its Entirety, Recyclable (100%)

Ingredients:

Polyethylene Terephthalate: Polyethylene Terephthalate; Octadecanamide, N,N'-1,2-ethanedilylbis-: Octadecanamide, N,N'-1,2-ethanedilylbis-; Stearic Acid: Stearic Acid; Benzenepropanoic acid, 3,5-bis(1,1-dimethylethyl)-4-hydroxy-, octadecyl ester: Benzenepropanoic acid, 3,5-bis(1,1-dimethylethyl)-4-hydroxy-, octadecyl ester; Benzenamine, 4-(1-methyl-1-phenylethyl)-N-[4-(1-methyl-1-phenylethyl)phenyl]-: Benzenamine, 4-(1-methyl-1-phenylethyl)-N-[4-(1-methyl-1-phenylethyl)phenyl]-; Titanium dioxide: Titanium dioxide

Living Building Challenge Criteria: Compliant

I-13 Red List:

- LBC Red List Free % Disclosed: 100% at 100ppm
- LBC Red List Approved VOC Content: Not Applicable
- Declared

I-10 Interior Performance: Not Applicable
I-14 Responsible Sourcing: Not Applicable

SAB-0001
 EXP. 01 JUN 2025
 Original Issue Date: 2023

MANUFACTURER RESPONSIBLE FOR LABEL ACCURACY
 INTERNATIONAL LIVING FUTURE INSTITUTE™ living-future.org/declare

