

# TAPER

LIT - DIFFUSE

# TPR-L-DF

DATE	PROJECT	CATALOG #	FIXTURE TYPE
------	---------	-----------	--------------

## OVERVIEW

TAPER is a versatile pendant designed to make a statement, define a zone, or add dimension. Its exposed frame and sewn construction offer a refined aesthetic, while the interior and exterior felt, cord, and cable customization leave room to play. Light engine options, along with its high-performing acoustic properties, make TAPER an ideal choice for enhancing both function and ambiance.

## QUICK FACTS

- Diffuse engine sizes: 16, 24, 35, or 47 IN
- Available in 2700/3000/3500/4000 CCT at 90+ Color Rendering Index (CRI)
- Custom diameters available between 39 - 118 IN
- Custom suspension length 24 - 120 IN
- Suspend with aircraft cable or straps
- NRC rating of .85+



## SPECIFICATIONS

SERIES	DIAMETER/HEIGHT <sup>1</sup>	LENS SIZE	DIRECT OUTPUT <sup>5</sup>	CRI/CCT	CIRCUIT
TPR-L-DF	39" X 20" (1000 MM X 500 MM) <sup>2</sup> 59" X 30" (1500 MM X 750 MM) <sup>2</sup> 79" X 39" (2000 MM X 1000 MM) <sup>3</sup> 89" X 44" (2250 MM X 1125 MM) CD___ <sup>4</sup>	DS 16" (400 MM): 5000 LM MAX DM 24" (600 MM): 5000 LM MAX DL 35" (900 MM): 12000 LM MAX DXL 47" (1200 MM): 18000 LM MAX	D___ REPLACE "___" WITH DESIRED LUMEN OUTPUT <sup>5</sup>	927K 930K 935K 940K	SC SINGLE CIRCUIT
CONTROL	VOLTAGE	EXTERIOR FELT (1.5 MM)	INTERIOR FELT (9 MM)	CORD COLOR <sup>6</sup>	
10 0-10V TO 1%	UNV 120V/277V	15___ REPLACE "___" WITH DESIRED COLOR CODE FROM SWATCHES	9___ REPLACE "___" WITH DESIRED COLOR CODE FROM SWATCHES	PC___ REPLACE "___" WITH DESIRED COLOR CODE FROM SWATCHES	
SUSPENSION TYPE		CEILING TYPE	CANOPY <sup>8</sup>	FACTORY OPTIONS <sup>9</sup>	
AC___ 60" AIRCRAFT CABLE + (COLOR CODE) <sup>7</sup> ST___ 60" STRAP + (COLOR CODE) <sup>7</sup>		HC HARD CEILING ST STRUT SG STANDARD GRID TG TEGULAR GRID	RWH ROUND WHITE RBK ROUND BLACK SWH SQUARE WHITE SBK SQUARE BLACK	CSL___ CUSTOM SUSPENSION LENGTH 24" - 120" <sup>10</sup> EM EMERGENCY BATTERY CT___ CUSTOM THREAD + (COLOR CODE) <sup>7</sup> 2CP INCLUDE 2" CANOPIES CF CENTER FEED BABA BABA REQUIRED	

<sup>1</sup> IMPERIAL DIMENSIONS ARE NOMINAL. ACTUAL DIMENSIONS ARE METRIC.

<sup>2</sup> 5000 LUMEN MAX.

<sup>3</sup> 12000 LUMEN MAX.

<sup>4</sup> CUSTOM DIAMETERS AVAILABLE BETWEEN 39" - 118" (1000 - 3000 MM) AT VOLUME. HEIGHT IS FIXED.

<sup>5</sup> MINIMUM 2000 LM OUTPUT.

<sup>6</sup> POWER CABLE IS 18" LONGER THAN SUSPENSION LENGTH. CONSULT FACTORY FOR LONGER LENGTHS.

<sup>7</sup> REPLACE "\_\_\_" WITH DESIRED COLOR CODE FROM SWATCHES.

<sup>8</sup> 5" (127 MM) CANOPY PROVIDED FOR FEED. 2" (50.8 MM) CANOPIES FOR NON-FEED UPON REQUEST.

<sup>9</sup> LEAVE BLANK IF NOT APPLICABLE. STRING TOGETHER MULTIPLE SELECTIONS.

<sup>10</sup> REPLACE "\_\_\_" WITH LENGTH OF DESIRED SUSPENSION.

EXAMPLE CATALOG #: TPR-L-DF-79(2000)-39(1000)-DS-D5000-935K-SC-10-UNV-15QY-15SD-PCST-ACSLV-HC-RWH-2CP-CF

# SABIN

© 2025 SABIN LLC. ALL RIGHTS RESERVED.

CUSTOMIZE AT SABIN.BUILD

DATE REVISED 09.17.2025



# COLOR SWATCHES

# TPR-L-DF

DATE	PROJECT	CATALOG #	FIXTURE TYPE
------	---------	-----------	--------------

## FELT



## POWER CORD



## SUSPENSION STRAP



## THREAD



## AIRCRAFT CABLE

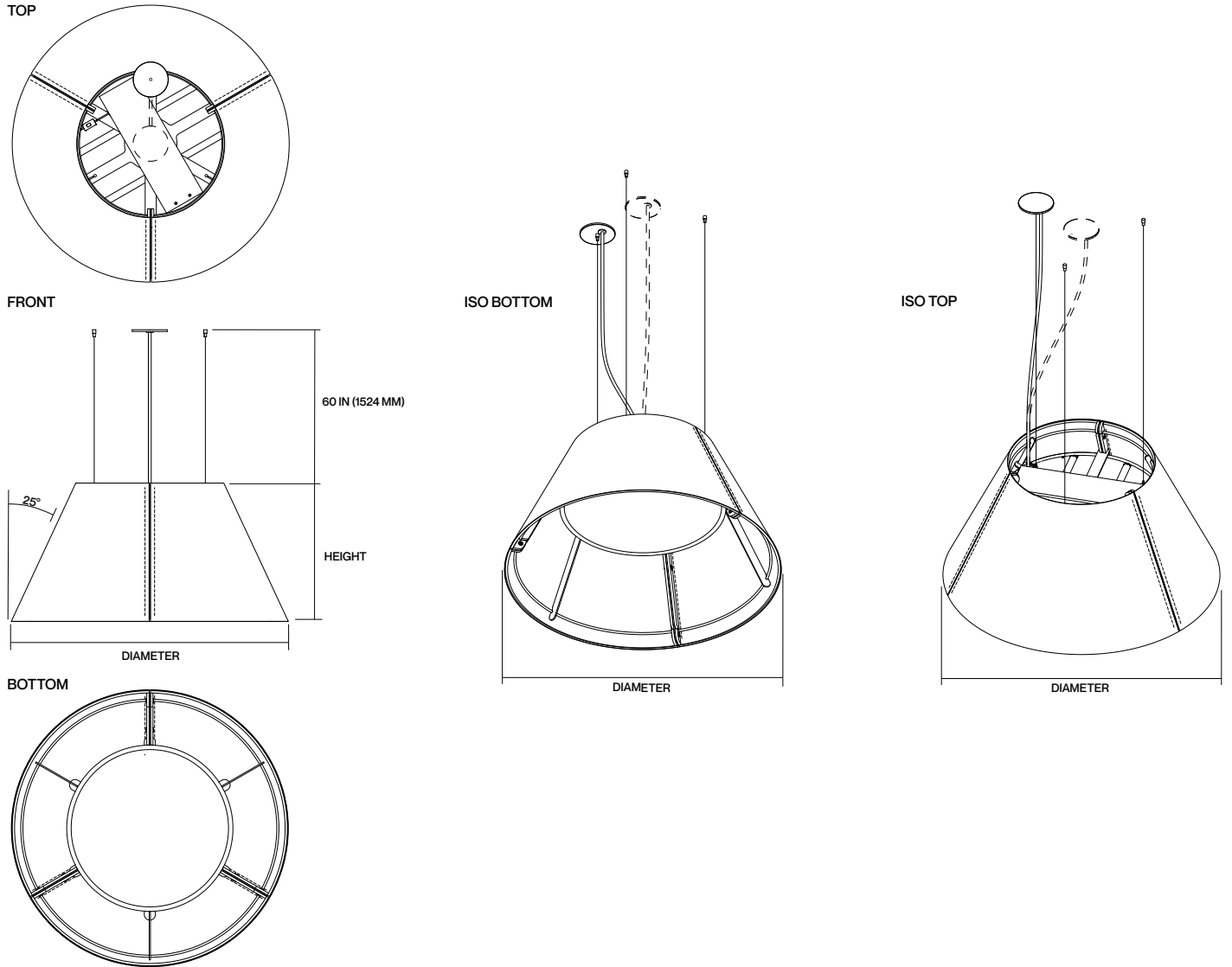


# DIMENSIONS

# TPR-L-DF

DATE	PROJECT	CATALOG #	FIXTURE TYPE
------	---------	-----------	--------------

## ≤1200 MM DIAMETER FIXTURES



- 1 IMPERIAL DIMENSIONS ARE NOMINAL. ACTUAL DIMENSIONS ARE METRIC.
- 2 ALL STANDARD DIMENSIONS ARE ECO-CONSCIOUS. MAXIMIZING MATERIAL USE AND MINIMIZING WASTE. CUSTOM DIMENSIONS RESULT IN EXCESS MATERIAL WASTE.
- 3 PLEASE CONSULT THE FACTORY FOR WEIGHTS SPECIFIC TO CONFIGURATION.

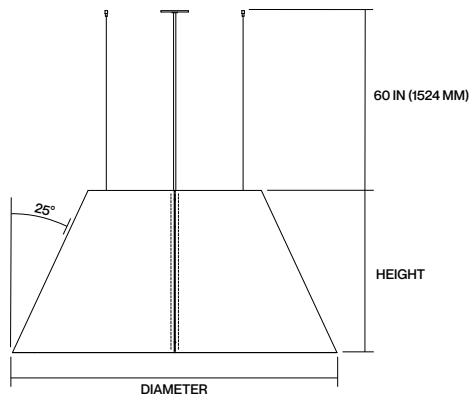
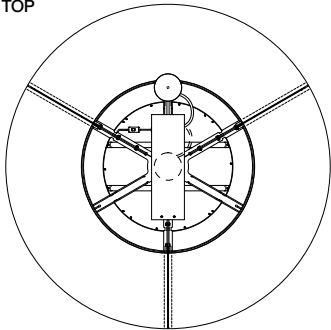
# DIMENSIONS

# TPR-L-DF

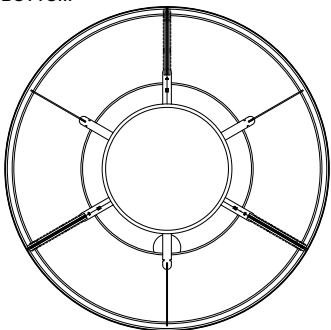
DATE	PROJECT	CATALOG #	FIXTURE TYPE
------	---------	-----------	--------------

## >1200 MM DIAMETER FIXTURES

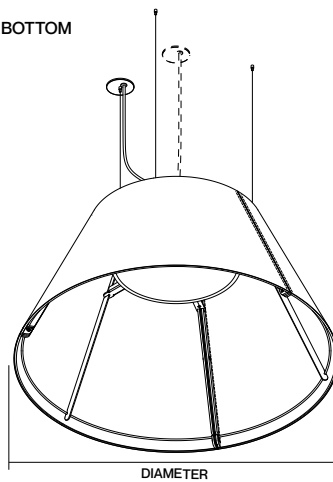
TOP



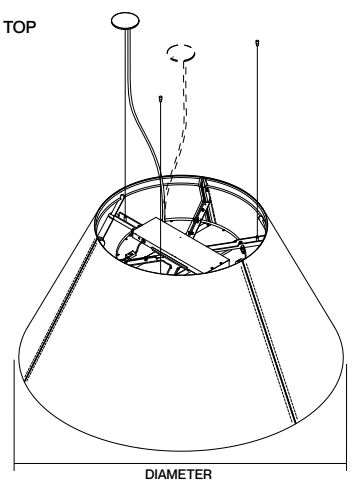
BOTTOM



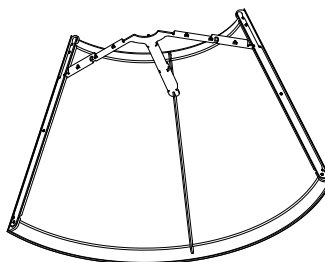
ISO BOTTOM



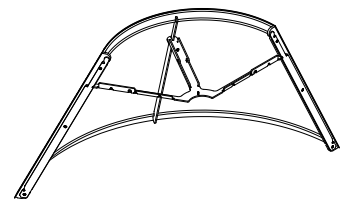
ISO TOP



ISO BOTTOM - LOBE



ISO TOP - LOBE



- 1 IMPERIAL DIMENSIONS ARE NOMINAL. ACTUAL DIMENSIONS ARE METRIC.
- 2 ALL STANDARD DIMENSIONS ARE ECO-CONSCIOUS, MAXIMIZING MATERIAL USE AND MINIMIZING WASTE. CUSTOM DIMENSIONS RESULT IN EXCESS MATERIAL WASTE.
- 3 PLEASE CONSULT THE FACTORY FOR WEIGHTS SPECIFIC TO CONFIGURATION.

# LIGHTING PERFORMANCE

# TPR-L-DF

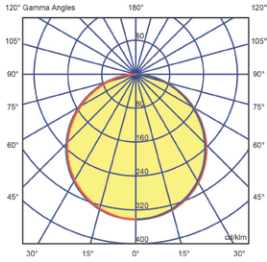
## TECHNICAL DATA

DATE	PROJECT	CATALOG #	FIXTURE TYPE
------	---------	-----------	--------------

## TAPER

LIT - DIFFUSE

### PHOTOMETRIC PLOTS



SIZE ALL  
 WATTAGE 45.8  
 LUMENS 5845.8

### DELIVERED LUMENS AND ENERGY USE

SIZE	OUTPUT (LUMENS)	DELIVERED (LUMENS)	ENERGY (WATTS)	EFFICACY (LPW)
24" (600 MM)	D2000	2000	16.27	122.94
	D3500	3500	27.90	125.45
	D5000	5000	39.15	127.70
35" (900 MM)	D8000	8000	60.86	131.44
	D10000	10000	74.98	133.37
	D12000	12000	88.99	134.84
47" (1200 MM)	D14000	14000	103.05	135.86
	D16000	16000	117.28	136.43
	D18000	18000	131.83	136.54

\*Based on 3500k, ≥90CRI. Lumen output and wattage may vary +/-5%.

### CCT MULTIPLIER

CCT	2700K	3000K	3500K	4000K
CRI	90	90	90	90
MULTIPLIER	0.88	0.91	1	0.94

DATE	PROJECT	CATALOG #	FIXTURE TYPE
------	---------	-----------	--------------

## ACOUSTIC MATERIAL

Our PET (polyester) felt panels contain minimum 60% post-consumer recycled polyester staple fiber. It is moisture resistant, fire rated, recyclable, and an outstanding absorber of acoustic energy.

- Fire retardant: ASTM E84 Class A, EN13501 Class B
- Construction: 100% polyester fiber (PET)
- Material certifications: OEKO-TEX® Standard 100, SCS Recycled Content, and Declare

## CARE

Acoustic PET felt: Remove dust with compressed air, a vacuum or lint roller. Aluminum & polymer components: Remove dust and debris with a clean, dry, lint-free cloth.

## CERTIFICATES/LISTING

This product is ETL listed and tested to meet UL standards for lit configurations. It complies with NEC and ANSI/NFPA 70 requirements, is RoHS compliant, and rated IP20 for use in dry, indoor locations only. 90 CRI configurations also meet Title 24 JA8-2016 requirements. Additionally, this product is GREENGUARD Gold certified and holds Declare, OEKO-TEX® Standard 100, and SCS Recycled Content certifications.

## CONSTRUCTION

Acoustic luminaire comprised of ≥ 60% recycled PET material utilizing sewn construction to maximize strength, durability, and sound absorbency.

## DIMMING (LIT ONLY)

Standard 120-277V constant current driver includes 0-10V analog dimming to 1%. Options for Lutron EcoSystem at 120/277V, TRIAC/ELV DALI, DMX, and Warm Dim available on select products. Consult factory.

## ELECTRICAL (LIT ONLY)

High quality Class P isolated power supply with universal (120-277VAC) and 347V input voltage. Meets UL operation rating dry & damp (IP40) max 185°F (85°C) for 50,000 hour life. Luminaries are pre-wired with factory installed branch circuit wiring.

Power Factor:

- 0.95 @ 120VAC
- 0.90 @ 277VAC
- 0.90 @ 347VAC

For fixtures specified with an emergency battery/driver: 6W-20W integral battery (output dependent) with self-testing/metal test switch/indicator light (bi-color). Up to 15% of total lumen output for a minimum of 90 minutes. Listed to UL924 and tested to CSA 22.2 No.141 Field or Factory Installation (Indoor and Damp). Output Class 2 Compliant. Input CEC Title 20 Compliant.

## ESTIMATED LIFETIME (LIT ONLY)

L70 = >60,000 Hours. Luminous flux maintenance life L70(9k) based on IES TM-28-147 9000-hour test at Ta= 45°C.

CONSULT FACTORY FOR SPECIFIC PRODUCT CONFIGURATIONS.

# SABIN

© 2024 SABIN LLC. ALL RIGHTS RESERVED.  
CUSTOMIZE AT SABIN.BUILD  
DATE REVISED 09.17.2025

## LED LIGHT ENGINE (LIT ONLY)

Light module incorporates premium LEDs with heat sink to maximum lifetime. Available in 2700K, 3000K, 3500K or 4000K CCT with ≥90 CRI. Color accuracy = minimum 2.2x SDCM @ 3000K ±66K ΔUV +0.0004 Standard deviation color matching (SDCM) based on ANSI standard C78.377A indicating the visible variance in correlated color temperature, also referred to as “MacAdam ellipse.”

## MOUNTING

Suspended by various methods including 1/16” aircraft cable, straps, grid clips or 3/8” threaded rod (adapters provided, threaded rod by others). Aircraft cable is available in precut lengths of 60” (1524 MM) or custom length from 24” (600 MM) to 120” (3048 MM). For lit units, fabric-covered power cord is provided along with a 5” (127 MM) feed canopy.

## OPTICS (LIT ONLY)

Injection molded, cut or extruded acrylic lens designed for efficient and homogeneous light distribution with superior color over angle performance. Beam control available on select configurations down to 15° and up to +90°. Optics are field changeable.

## WARRANTY

Fixture rated for operation in conditioned environments up to 77°F (25°C). Fixture is warranted to be free from defects and/or failure under normal use and proper storage for five (5) years from date of shipment.



## Declare.

**PET Acoustic Felt**  
Sabin LLC

Final Assembly: Chicago, Illinois, USA  
Life Expectancy: 30 Year(s)  
End of Life Options: Salvageable/Reusable in its Entirety, Recyclable (100%)

**Ingredients:**

Polyethylene Terephthalate; Polyethylene Terephthalate; Octadecanamide, N,N'-1,2-ethanediybis-; Octadecanamide, N,N'-1,2-ethanediybis-; Stearic Acid; Stearic Acid; Benzenepropanoic acid, 3,5-bis(1,1-dimethylethyl)-4-hydroxy-, octadecyl ester; Benzenepropanoic acid, 3,5-bis(1,1-dimethylethyl)-4-hydroxy-, octadecyl ester; Benzenamine, 4-(1-methyl-1-phenylethyl)-N-[4-(1-methyl-1-phenylethyl)phenyl]-; Benzenamine, 4-(1-methyl-1-phenylethyl)-N-[4-(1-methyl-1-phenylethyl)phenyl]-; Titanium dioxide; Titanium dioxide

**Living Building Challenge Criteria:** Compliant

**I-13 Red List:**

- LBC Red List Free      % Disclosed: 100% at 100ppm
- LBC Red List Approved      VOC Content: Not Applicable
- Declared

**I-10 Interior Performance:** Not Applicable  
**I-14 Responsible Sourcing:** Not Applicable

SAB-0001  
EXP. 01 JUN 2025  
Original Issue Date: 2023

MANUFACTURER RESPONSIBLE FOR LABEL ACCURACY  
INTERNATIONAL LIVING FUTURE INSTITUTE™ [living-future.org/declare](http://living-future.org/declare)

