

TAPER

UNLIT

TPR-U

DATE	PROJECT	CATALOG #	FIXTURE TYPE
------	---------	-----------	--------------

OVERVIEW

TAPER is a versatile pendant designed to make a statement, define a zone, or add dimension. Its exposed frame and sewn construction offer a refined aesthetic, while the interior and exterior felt, thread, and cable customization leave room to play. Its high-performing acoustic properties make TAPER an ideal choice for enhancing both function and ambiance.

QUICK FACTS

- Custom diameters available between 20 - 89 IN
- Custom suspension length 24 - 120 IN
- Suspend with aircraft cable or straps
- NRC rating of .85+



SPECIFICATIONS

SERIES	DIAMETER/HEIGHT ¹	EXTERIOR FELT (1.5 MM)	INTERIOR FELT (9 MM)
TPR-U	20" X 10" (500 MM X 250 MM) 39" X 20" (1000 MM X 500 MM) 59" X 30" (1500 MM X 750 MM) 79" X 39" (2000 MM X 1000 MM) 89" X 44" (2250 MM X 1125 MM) CD___ ²	15___ REPLACE "___" WITH DESIRED COLOR CODE FROM SWATCHES	9___ REPLACE "___" WITH DESIRED COLOR CODE FROM SWATCHES
SUSPENSION TYPE	CEILING TYPE	CANOPY ⁴	FACTORY OPTIONS ⁵
AC___ 60" AIRCRAFT CABLE + (COLOR CODE) ³ ST___ 60" STRAP + (COLOR CODE) ³	HC HARD CEILING ST STRUT SG STANDARD GRID TG TEGULAR GRID	NC NO CANOPIES RWH ROUND WHITE RBK ROUND BLACK SWH SQUARE WHITE SBK SQUARE BLACK	CSL___ CUSTOM SUSPENSION LENGTH 24" - 120" ⁶ CT___ CUSTOM THREAD + (COLOR CODE) ³ BABA BABA REQUIRED

¹ IMPERIAL DIMENSIONS ARE NOMINAL. ACTUAL DIMENSIONS ARE METRIC.

² CUSTOM DIAMETERS AVAILABLE BETWEEN 20" - 89" (500 - 2250 MM) AT VOLUME. HEIGHT IS FIXED.

³ REPLACE "___" WITH DESIRED COLOR CODE FROM SWATCHES.

⁴ OPTIONAL 2IN CANOPIES CAN BE INCLUDED FOR CABLE, STRAP, OR GRID SUSPENSION.

⁵ LEAVE BLANK IF NOT APPLICABLE. STRING TOGETHER MULTIPLE SELECTIONS.

⁶ REPLACE "___" WITH LENGTH OF DESIRED SUSPENSION.

EXAMPLE CATALOG #: TPR-U-59(1500)-30(750)-15JD-15FL-ACBLK-HC-NC

SABIN

© 2025 SABIN LLC. ALL RIGHTS RESERVED.

CUSTOMIZE AT SABIN.BUILD

DATE REVISED 09.17.2025

MADE
IN THE
USA

5
YEAR
WARRANTY

♻️
PET

1

COLOR SWATCHES

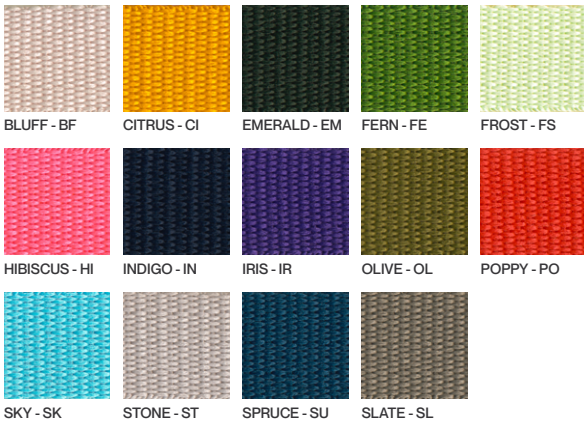
TPR-U

DATE	PROJECT	CATALOG #	FIXTURE TYPE
------	---------	-----------	--------------

FELT



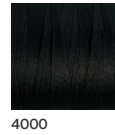
SUSPENSION STRAP



AIRCRAFT CABLE



THREAD



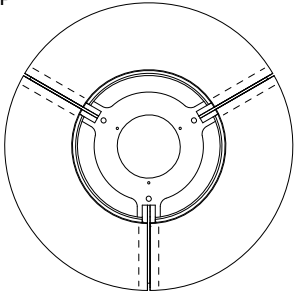
Colors are subject to slight variation from your screen or paper to the finished product. Contact the factory for additional color options.

¹ Birch is not available in 1.5 MM

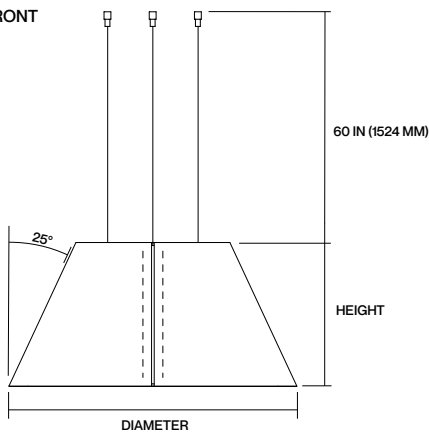
DATE	PROJECT	CATALOG #	FIXTURE TYPE
------	---------	-----------	--------------

<750 MM DIAMETER FIXTURES

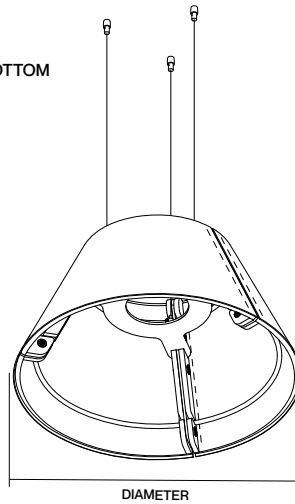
TOP



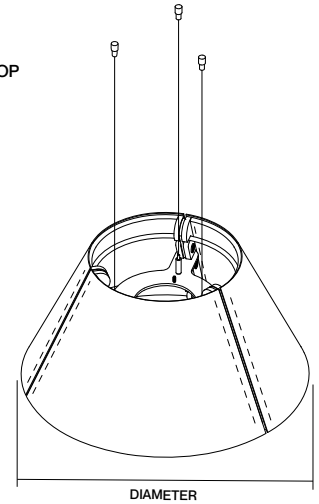
FRONT



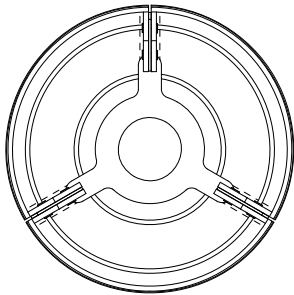
ISO BOTTOM



ISO TOP



BOTTOM



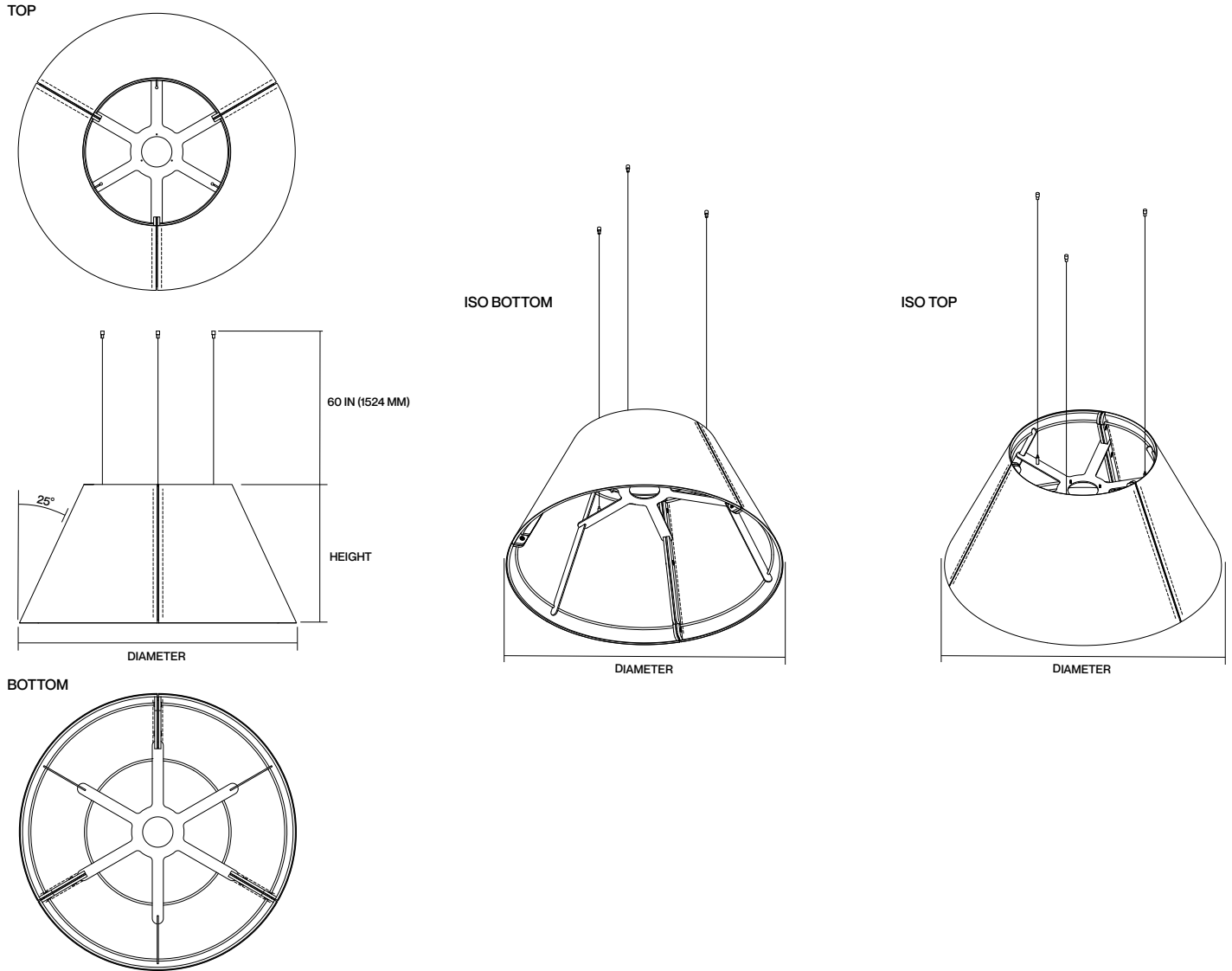
- 1 IMPERIAL DIMENSIONS ARE NOMINAL. ACTUAL DIMENSIONS ARE METRIC.
- 2 ALL STANDARD DIMENSIONS ARE ECO-CONSCIOUS, MAXIMIZING MATERIAL USE AND MINIMIZING WASTE. CUSTOM DIMENSIONS RESULT IN EXCESS MATERIAL WASTE.
- 3 PLEASE CONSULT THE FACTORY FOR WEIGHTS SPECIFIC TO CONFIGURATION.

DIMENSIONS

TPR-U

DATE	PROJECT	CATALOG #	FIXTURE TYPE
------	---------	-----------	--------------

≤1200 MM DIAMETER FIXTURES



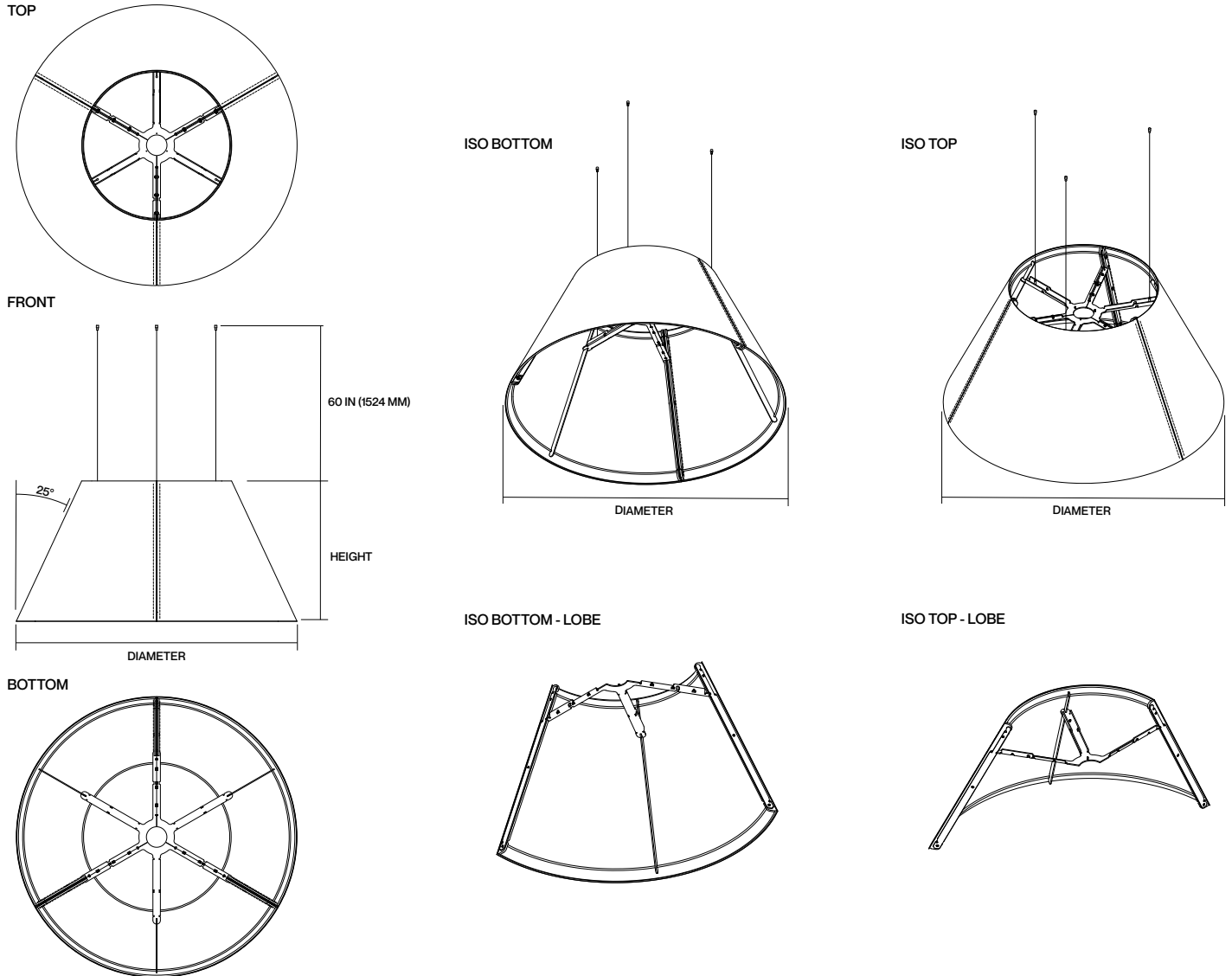
- 1 IMPERIAL DIMENSIONS ARE NOMINAL. ACTUAL DIMENSIONS ARE METRIC.
- 2 ALL STANDARD DIMENSIONS ARE ECO-CONSCIOUS. MAXIMIZING MATERIAL USE AND MINIMIZING WASTE. CUSTOM DIMENSIONS RESULT IN EXCESS MATERIAL WASTE.
- 3 PLEASE CONSULT THE FACTORY FOR WEIGHTS SPECIFIC TO CONFIGURATION.

DIMENSIONS

TPR-U

DATE	PROJECT	CATALOG #	FIXTURE TYPE
------	---------	-----------	--------------

>1200 MM DIAMETER FIXTURES



- 1 IMPERIAL DIMENSIONS ARE NOMINAL. ACTUAL DIMENSIONS ARE METRIC.
- 2 ALL STANDARD DIMENSIONS ARE ECO-CONSCIOUS. MAXIMIZING MATERIAL USE AND MINIMIZING WASTE. CUSTOM DIMENSIONS RESULT IN EXCESS MATERIAL WASTE.
- 3 PLEASE CONSULT THE FACTORY FOR WEIGHTS SPECIFIC TO CONFIGURATION.

DATE	PROJECT	CATALOG #	FIXTURE TYPE

ACOUSTIC MATERIAL

Our PET (polyester) felt panels contain minimum 60% post-consumer recycled polyester staple fiber. It is moisture resistant, fire rated, recyclable, and an outstanding absorber of acoustic energy.

- Fire retardant: ASTM E84 Class A, EN13501 Class B
- Construction: 100% polyester fiber (PET)
- Material certifications: OEKO-TEX® Standard 100, SCS Recycled Content, and Declare

CARE

Acoustic PET felt: Remove dust with compressed air, a vacuum or lint roller. Aluminum & polymer components: Remove dust and debris with a clean, dry, lint-free cloth.

CERTIFICATES/LISTING

This product is ETL listed and tested to meet UL standards for lit configurations. It complies with NEC and ANSI/NFPA 70 requirements, is RoHS compliant, and rated IP20 for use in dry, indoor locations only. 90 CRI configurations also meet Title 24 JA8-2016 requirements. Additionally, this product is GREENGUARD Gold certified and holds Declare, OEKO-TEX® Standard 100, and SCS Recycled Content certifications.

CONSTRUCTION

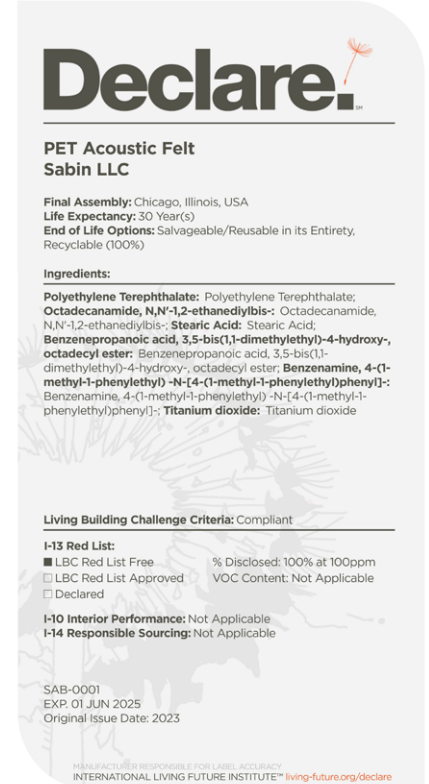
Acoustic luminaire comprised of ≥ 60% recycled PET material utilizing sewn construction to maximize strength, durability, and sound absorbency.

MOUNTING

Suspended by various methods including 1/16" aircraft cable, straps, grid clips or 3/8" threaded rod (adapters provided, threaded rod by others). Aircraft cable is available in pre-cut lengths of 60" (1524 MM) or custom length from 24" (600 MM) to 120" (3048 MM). For lit units, fabric-covered power cord is provided along with a 5" (127 MM) feed canopy.

WARRANTY

Fixture rated for operation in conditioned environments up to 77°F (25°C). Fixture is warranted to be free from defects and/or failure under normal Use and proper storage for five (5) years from date of shipment.



CONSULT FACTORY FOR SPECIFIC PRODUCT CONFIGURATIONS.