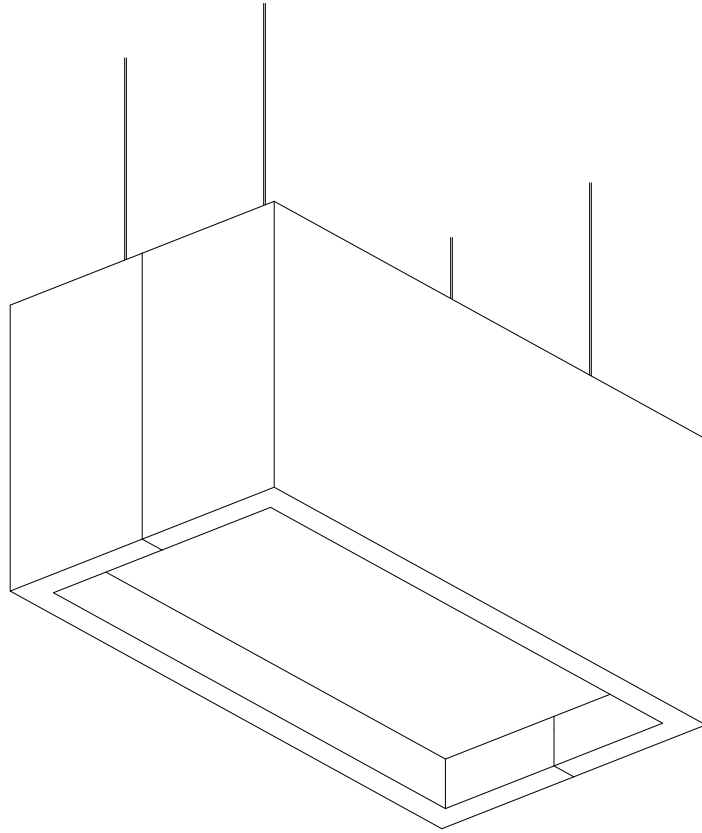


SABIN



INSTALLATION GUIDE

BLOCK

INSTALLING BLOCK

**THIS IS A GUIDE TO ASSIST WITH YOUR
SABIN PRODUCT INSTALLATION.**

The following pages explain best practices for a successful installation. Please note these are not comprehensive to every installation environment. Please contact our factory for specific questions.

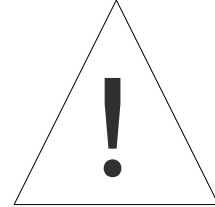
GUIDELINES

STORAGE AND HANDLING
HARDWARE OVERVIEW

STEPS

- 1 **FIXTURE ASSEMBLY**
- 2 **CEILING SIDE**
 - 2A Hard Ceiling
 - 2B Strut (Suspended)
 - 2C Grid (Suspended)
- 3 **FIXTURE SIDE**
 - 3A Aircraft Cable
 - 3B Strap
 - 3C Threaded Rod
 - 3D Direct to Strut
- 4 **FINAL STEPS**

READ PRIOR TO STARTING YOUR INSTALLATION



This product is suitable for indoor dry location only.

Do not switch line voltage until all the wiring is complete.

These products may represent a potential shock or fire hazard if improperly installed.

Products should be installed in accordance with local and National Electric Code (NEC).

This product should only be installed by a licensed Electrician.

Allow air to flow freely around the fixture.

Do not install the Fixture closer than 6.0" to combustible material.

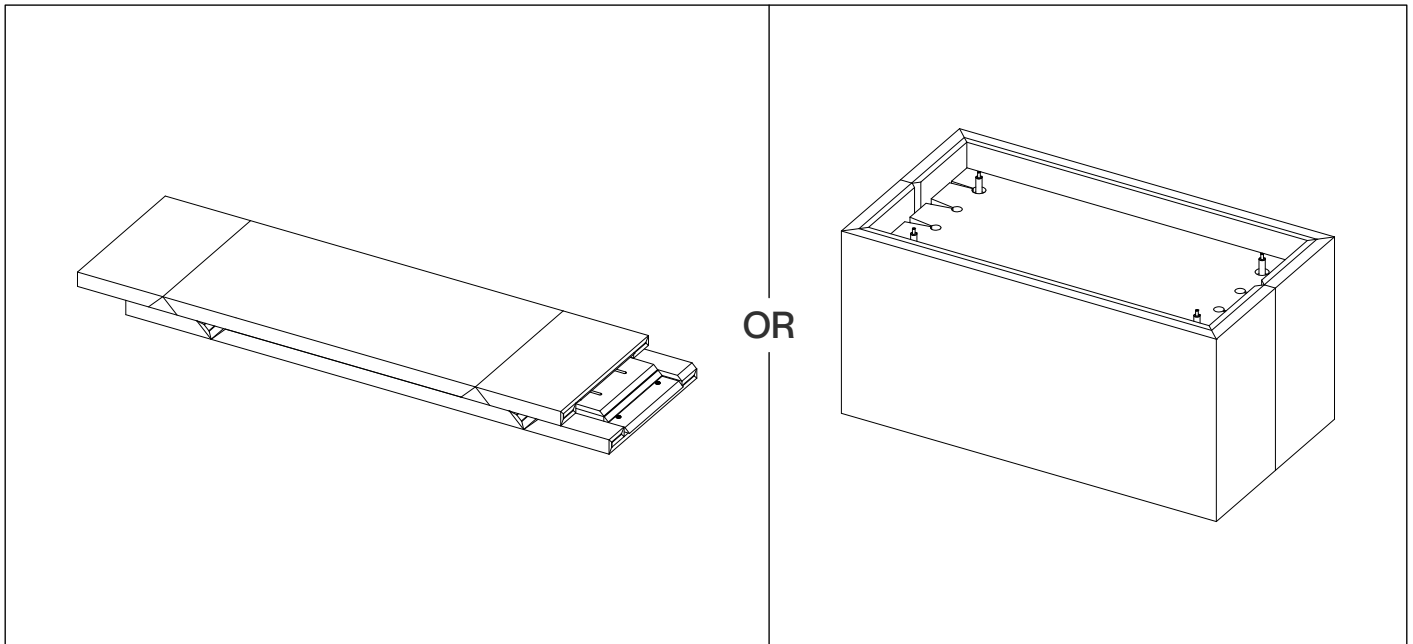
Do not use if there is any damage to the unit or to the wiring/insulation. Inspect periodically.

Confirm the proper gauge wires are used between Power Supplies, Controls & Fixture to avoid voltage drop.

Installer is responsible for reinforcing the ceiling to properly support the fixture weight.

Sabin LLC, accepts no responsibility for inadequately reinforced ceilings.

STORAGE AND HANDLING

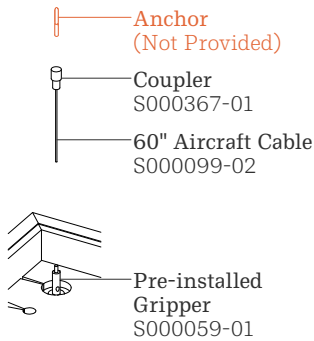


- 1** Store the products in their original packaging until installation. The product will arrive either flat-packed or pre-assembled, depending on your order. IF THE PRODUCT WAS SPECIFIED FLAT, PROCEED TO STEP 1. IF THE PRODUCT WAS SPECIFIED BUILT, SKIP STEP 1 AND PROCEED TO "CEILING SIDE".
- 2** Keep products in a dry, climate-controlled indoor space and elevate products off the floor to prevent material degradation. Do not stack heavy objects on top of stored products.
- 3** Open packaging in a dust-free area, using caution with sharp tools to avoid damaging the contents. Wear clean, white gloves when handling components to prevent stains or surface damage.
- 4** Avoid direct contact with light engines to prevent damage.

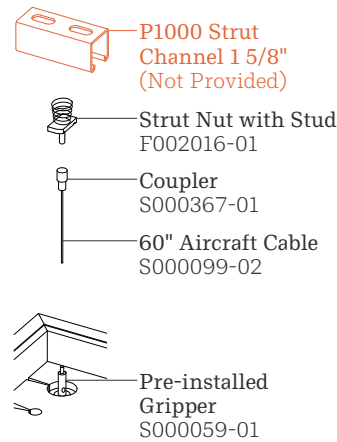
GUIDELINES

HARDWARE OVERVIEW

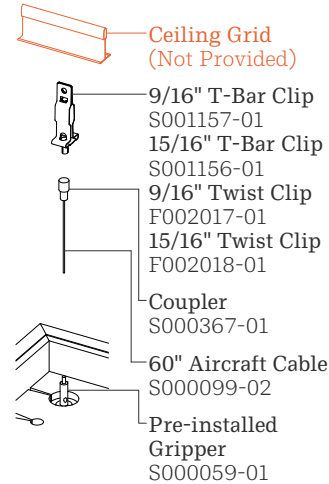
AIRCRAFT CABLE + HARD CEILING



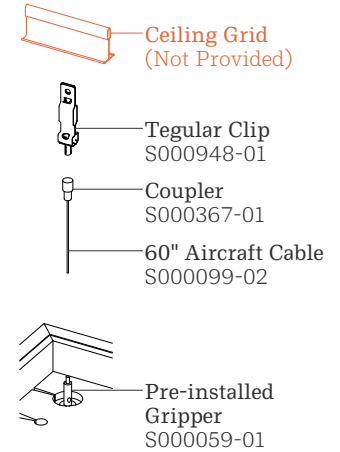
AIRCRAFT CABLE + STRUT



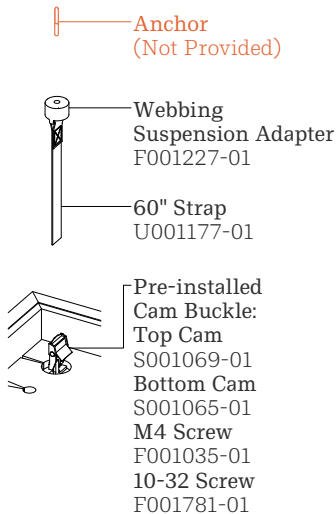
AIRCRAFT CABLE + STANDARD GRID



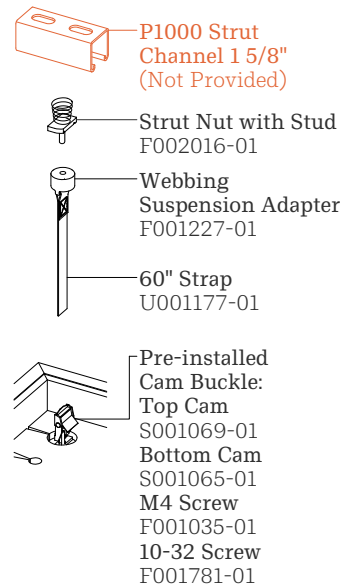
AIRCRAFT CABLE + TEGULAR GRID



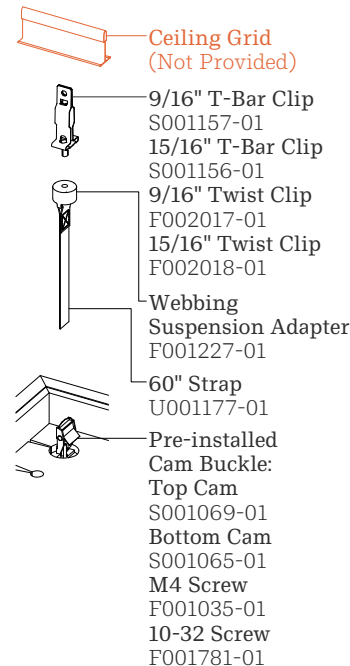
STRAP + HARD CEILING



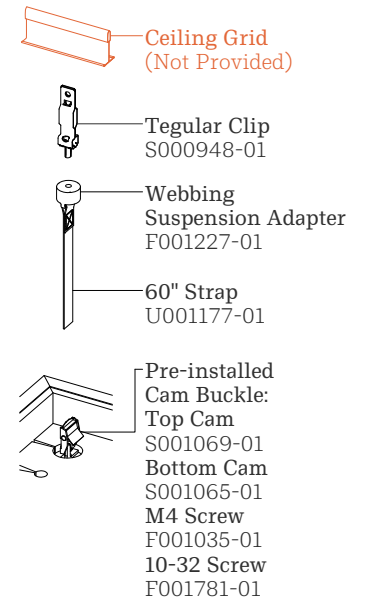
STRAP + STRUT



STRAP + STANDARD GRID



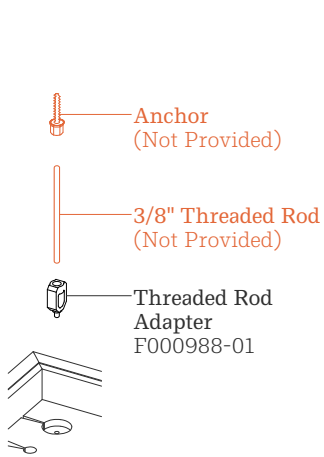
STRAP + TEGULAR GRID



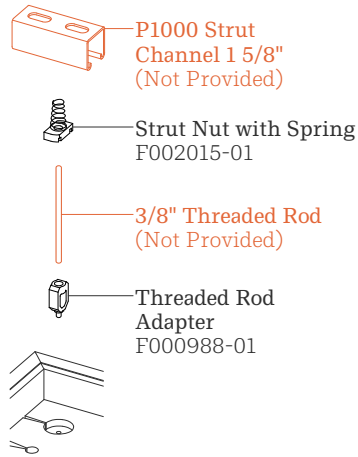
GUIDELINES

HARDWARE OVERVIEW

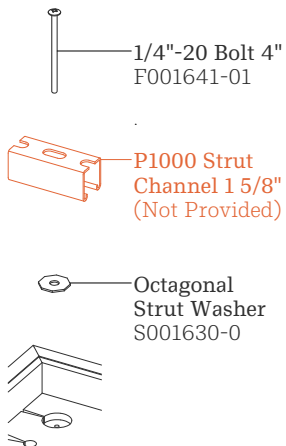
THREADED ROD + HARD CEILING



THREADED ROD + STRUT

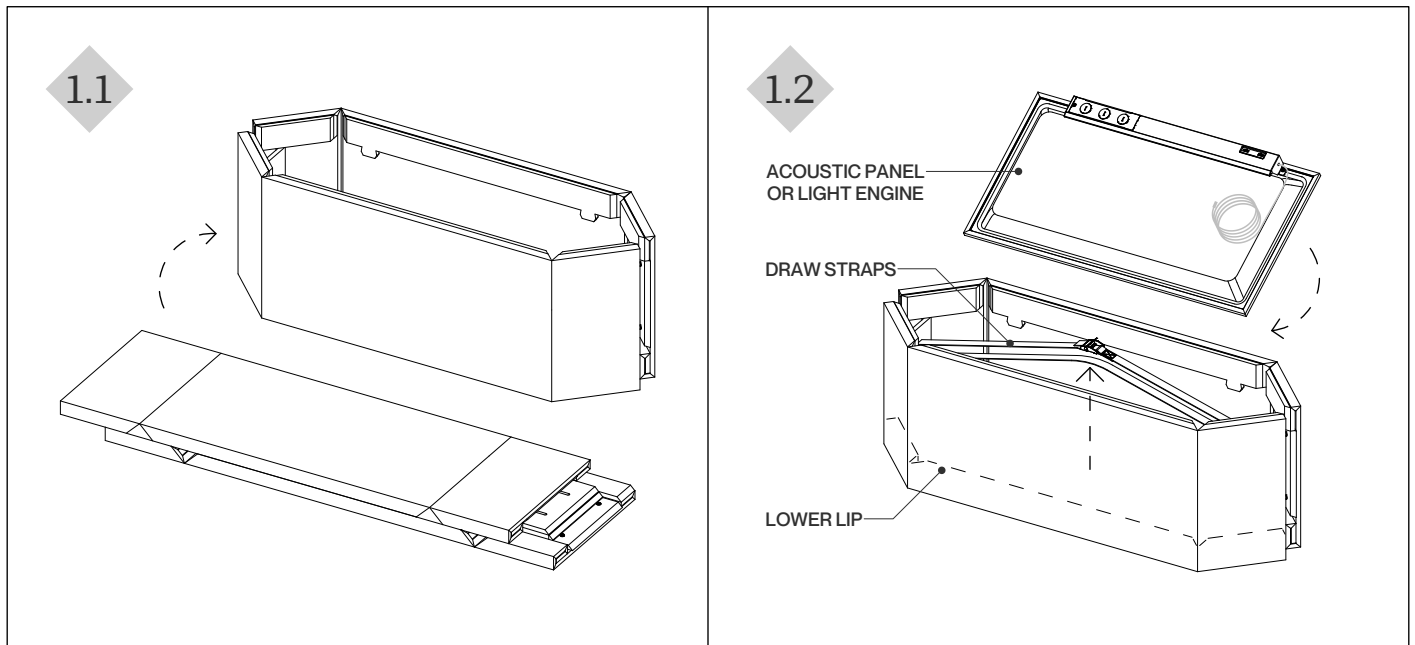


DIRECT TO + STRUT



STEP 1

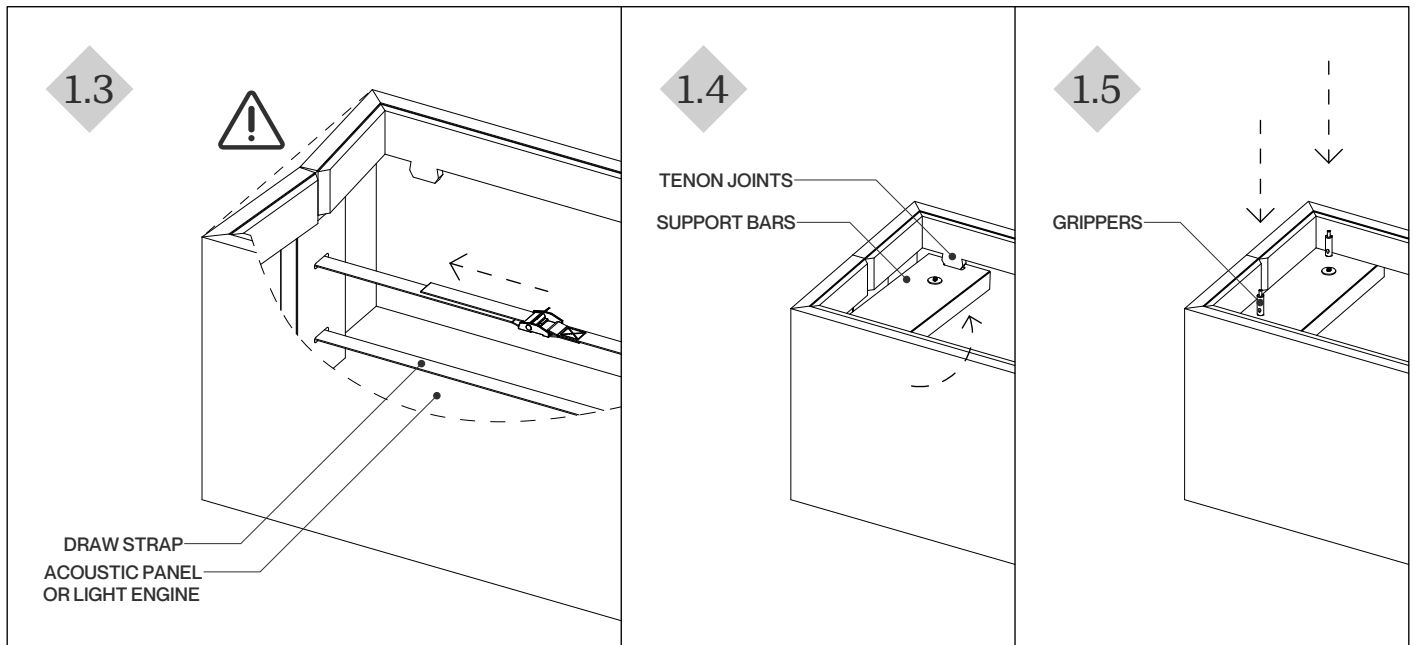
FIXTURE ASSEMBLY



- 1.1** Unfold the acoustic structure until there is enough space to insert the acoustic panel or light engine. The fixture's bottom should have clean edges, while the top will display two distinct layers.
- 1.2** Lift the draw straps and position the acoustic panel or light engine onto the lower lip of the acoustic structure. Ensure the panel is placed under the straps.

STEP 1

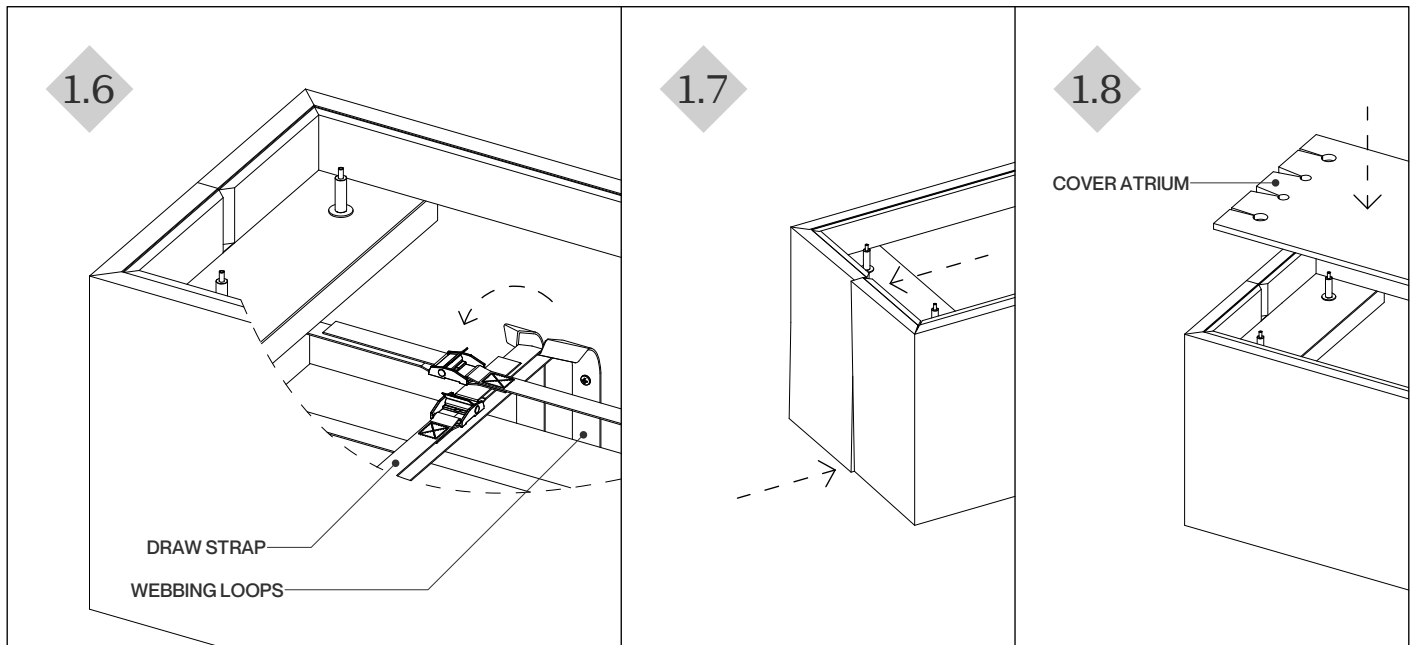
FIXTURE ASSEMBLY (CONT.)



- 1.3** Tighten the draw strap to lock the acoustic panel or light engine firmly in place. Slightly overtighten the strap until the sides begin to bow inward just a bit.
- 1.4** Insert the horizontal support bars into the tenon joints to lock them securely. Once in place, the bars will push the sides back out, returning them to a flat position.
- 1.5** Attach the grippers, if applicable.

STEP 1

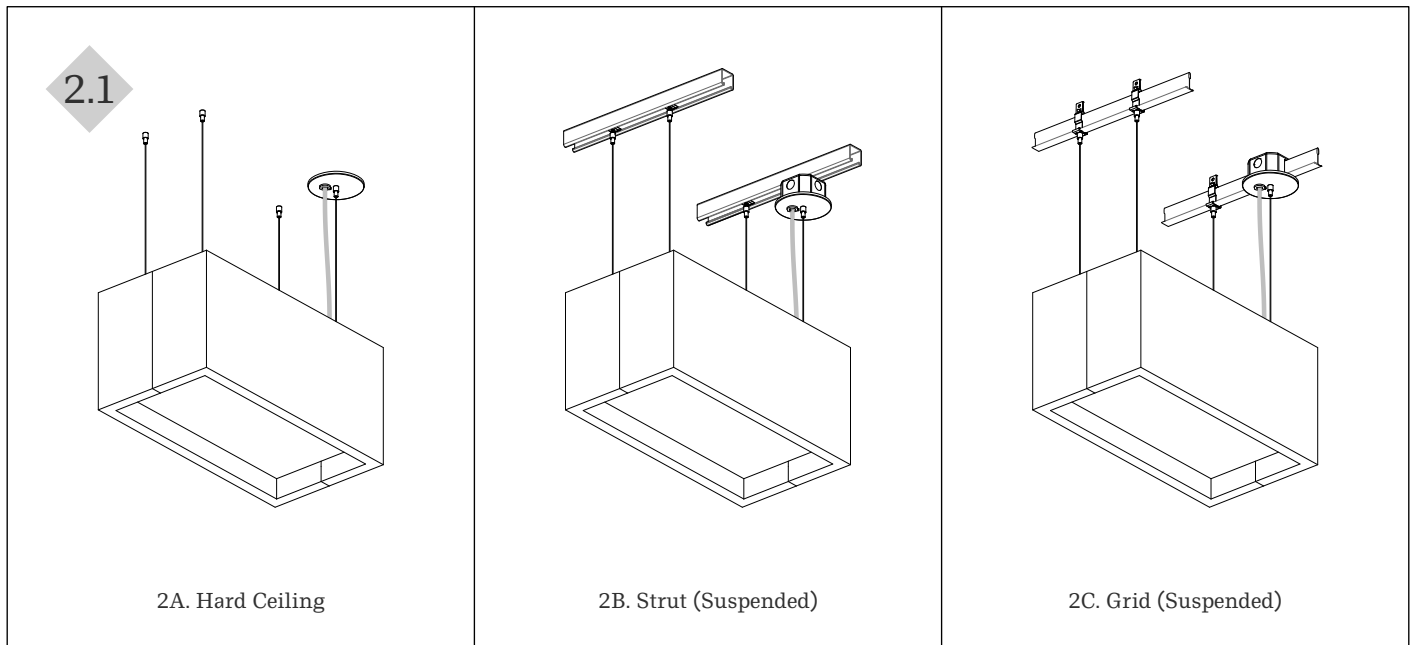
FIXTURE ASSEMBLY (CONT.)



- 1.6** Thread the second draw strap through the webbing loops to secure the opposite side against the acoustic panel or light engine.
- 1.7** Ensure the edges are smooth. Press from the inside if necessary to refine their alignment.
- 1.8** Install the cover atrium, if applicable.

STEP 2

CEILING SIDE



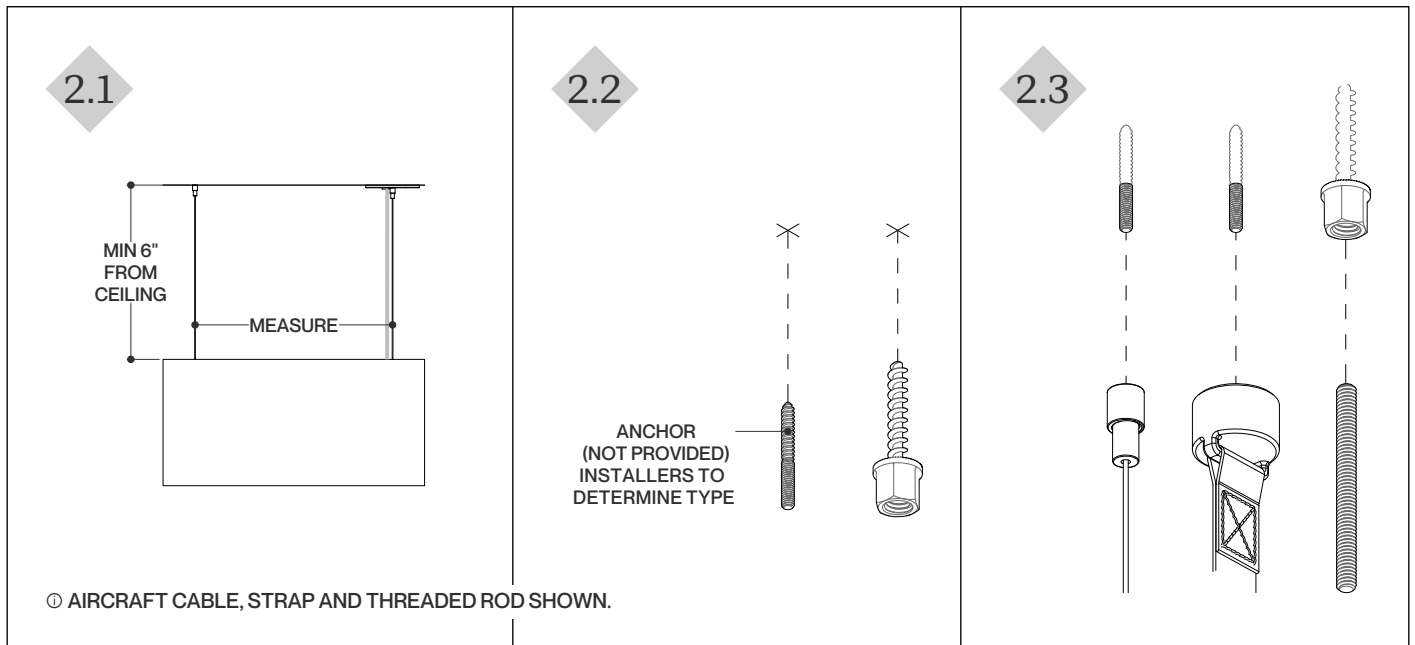
2.1

To properly install the fixture reference 2A-2C to complete the installation depending on the ceiling type.

STEP 2A

CEILING SIDE

Hard Ceiling



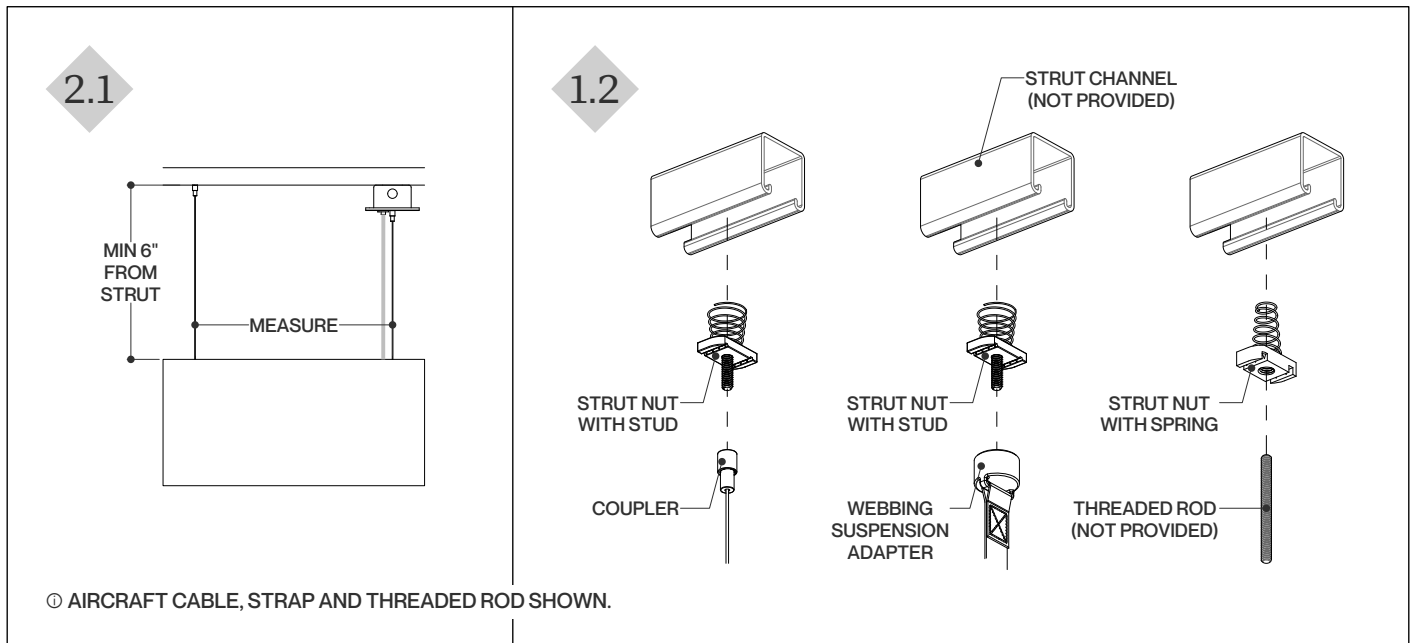
2A.1 Measure the distance between the suspension points, then mark this measurement to the surface.

2A.2 Install the 1/4"-20 anchors (not provided) onto the marks of the surface.

2A.3 Secure the coupler, the webbing suspension adapter or the threaded rod (with or without canopy) to the anchor followed by tightening.

STEP 2B

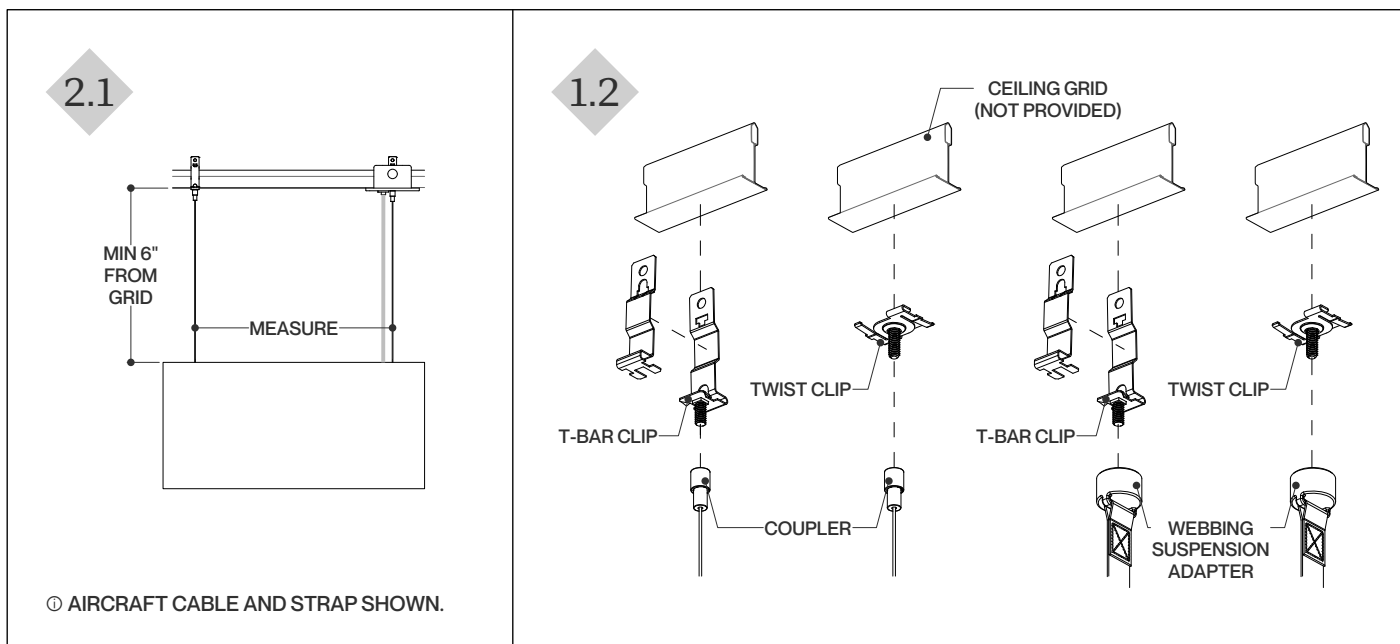
CEILING SIDE Strut (Suspended)



- 2B.1** Measure the distance between the suspension points, then transfer this measurement onto the strut channel (not provided).
- 2B.2** Twist and release the strut nut with stud or the strut nut with spring into the channel (not provided).
- 2B.3** Secure the coupler or the webbing suspension adapter to the strut nut with stud, or the threaded rod to the strut nut with spring (with or without canopy) followed by tightening.

STEP 2C

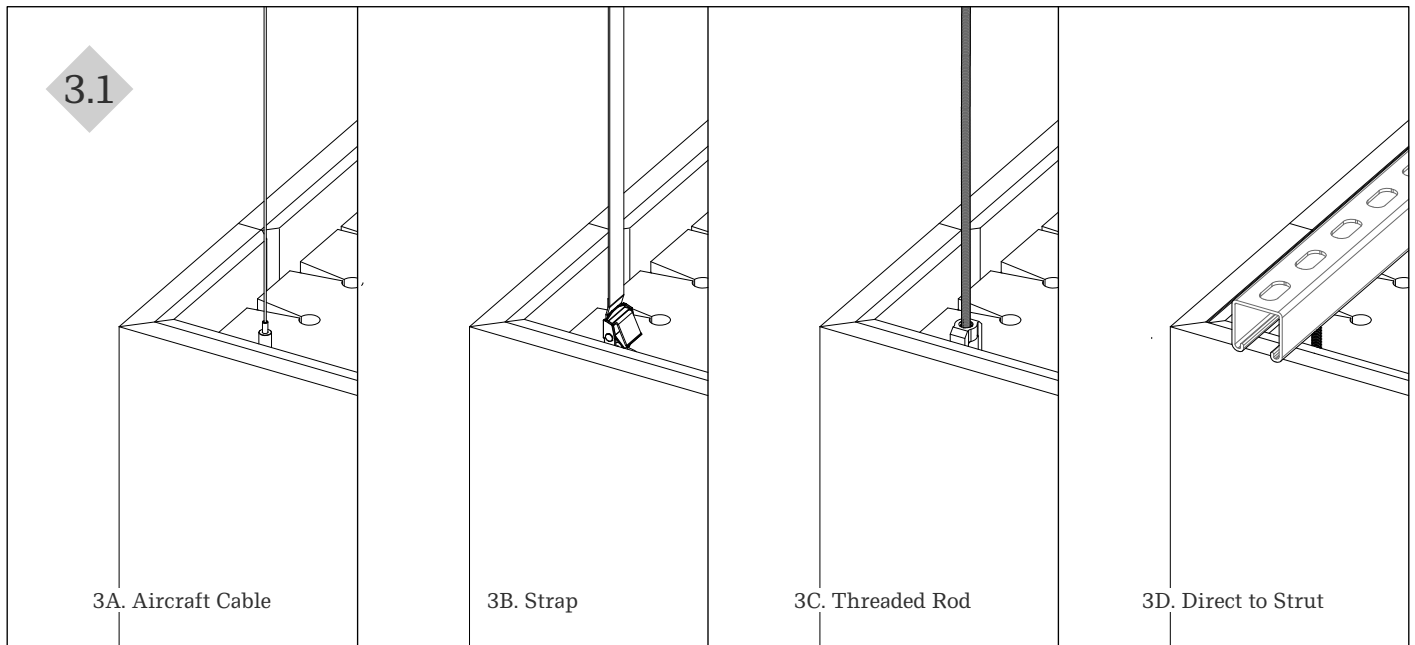
CEILING SIDE Grid (Suspended)



- 2C.1** Measure the distance between the suspension points, then transfer this measurement onto the ceiling grid (not provided). Note: Clip selection (T-bar clip or twist clip) is determined by both the product's weight and the ceiling grid specifications.
- 2C.2** Slide the main section of the T-bar clip onto the ceiling grid (not provided). Insert the secondary section and snap it into place to secure both parts. Alternatively, align the twist clip with the ceiling grid and rotate until it locks firmly in place.
- 2C.3** Secure the coupler (with or without canopy) to the T-bar clip or twist clip followed by tightening.

STEP 3

FIXTURE SIDE



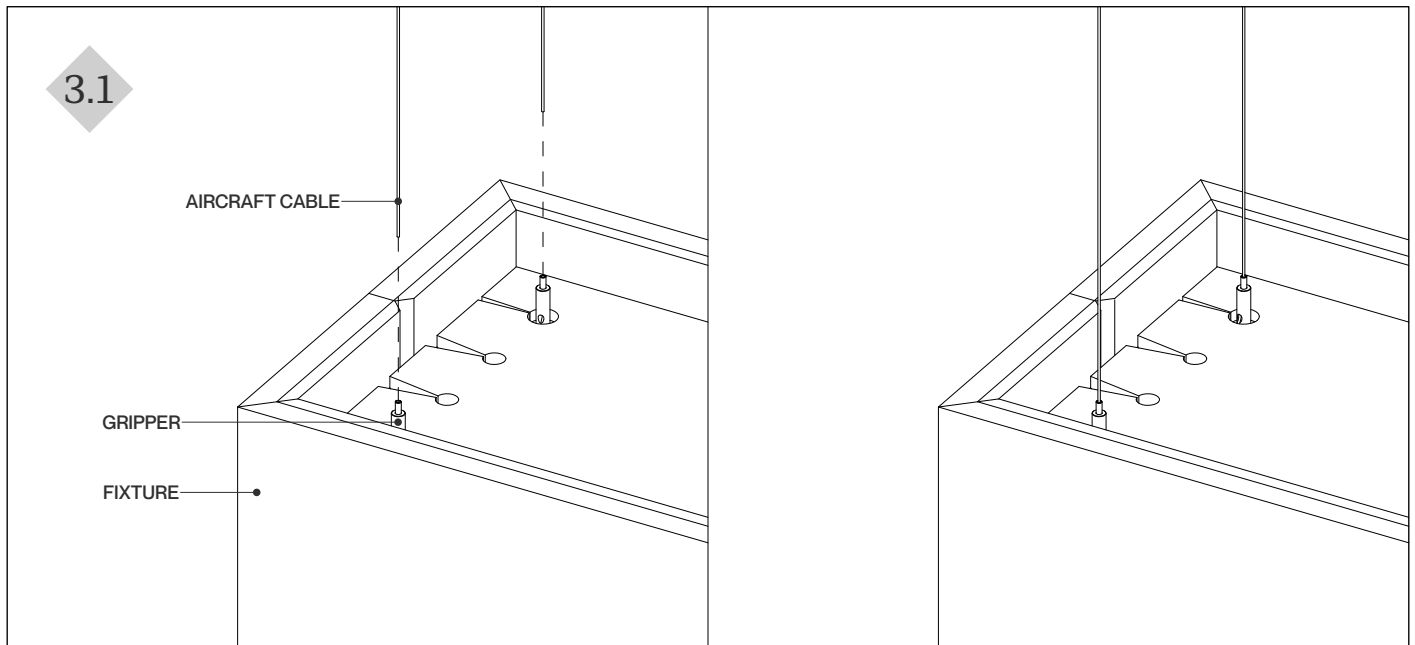
3.1

To properly install the fixture reference 3A-3D to complete the installation depending on the suspension type.

STEP 3A

FIXTURE SIDE

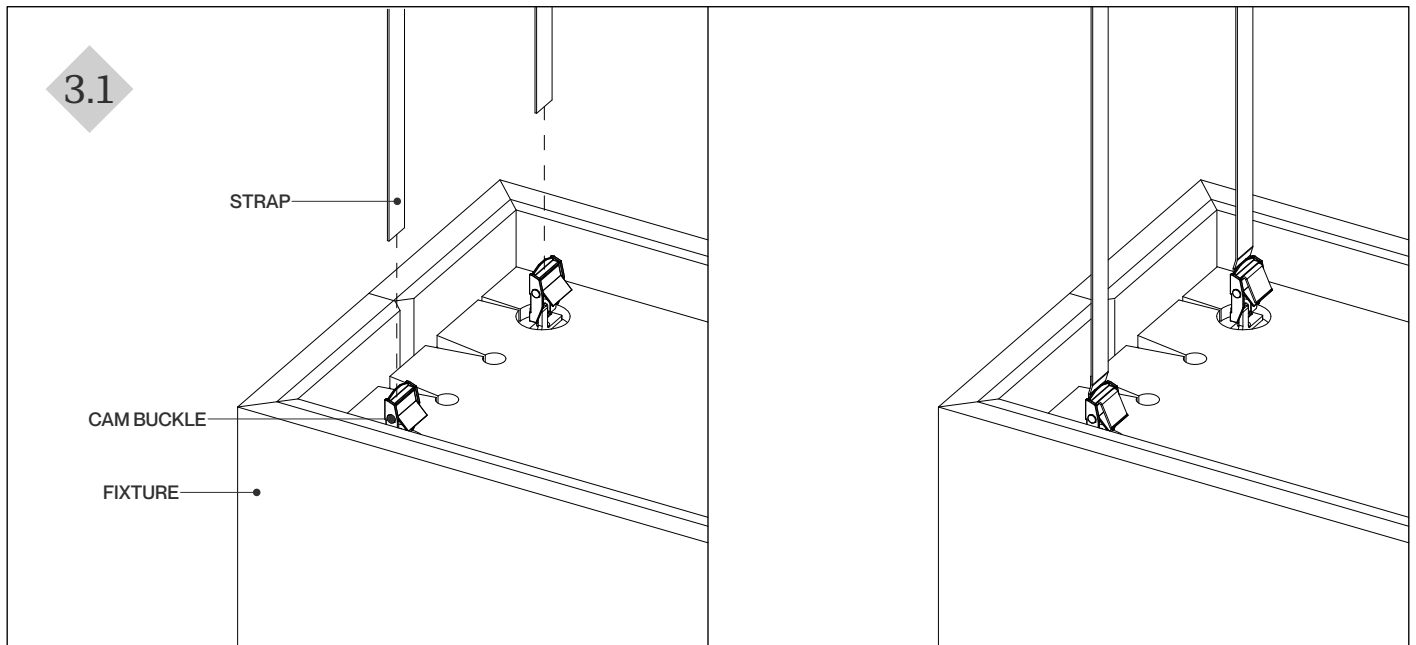
Aircraft Cable



3A.1 From the top of the fixture, insert each aircraft cable into the gripper until the desired height is achieved.

STEP 3B

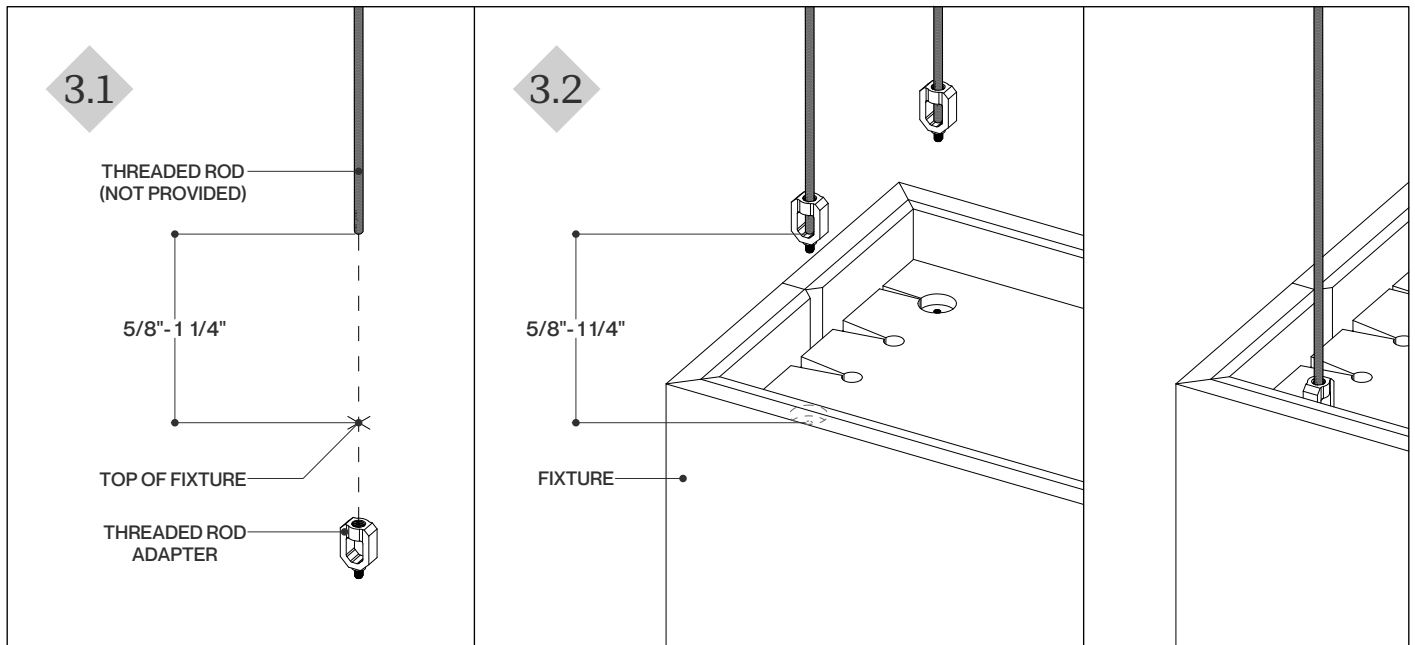
FIXTURE SIDE Strap



3B.1 From the top of the fixture, insert each strap into the cam buckle until the desired height is achieved.

STEP 3C

FIXTURE SIDE Threaded Rod

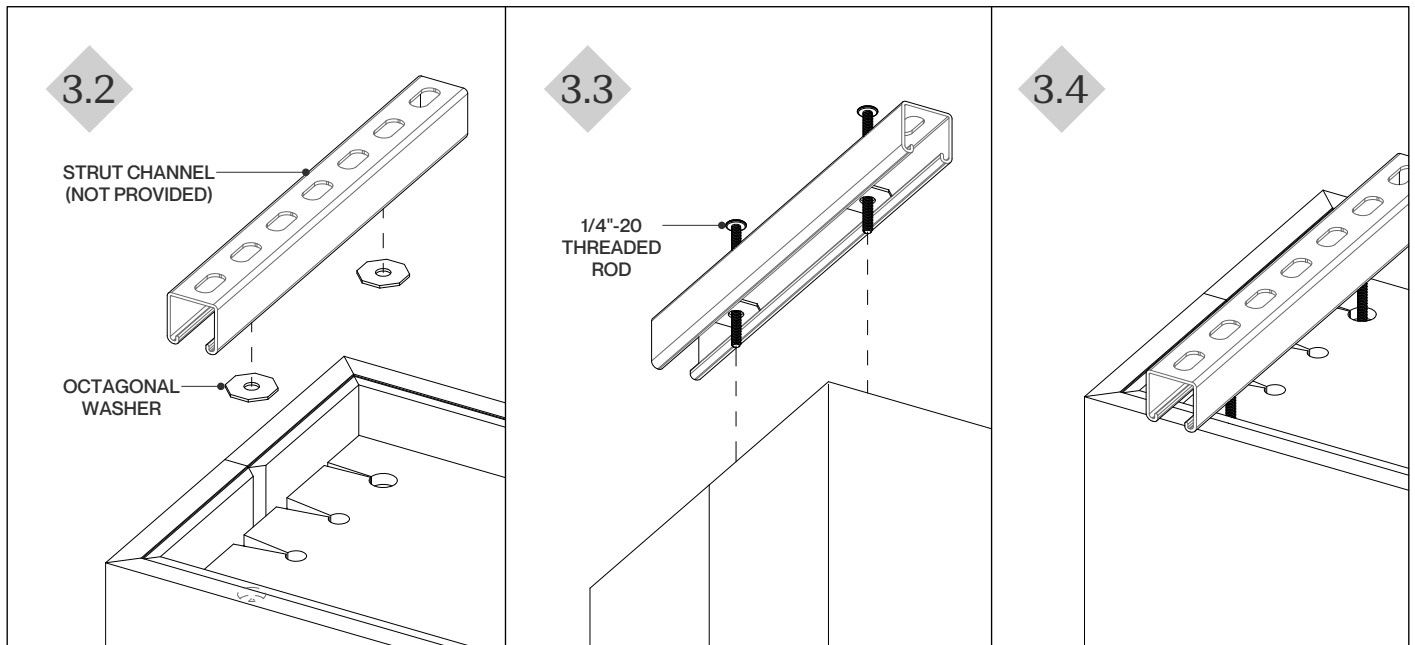


- 3C.1** Install $3/8''$ threaded rod (not provided) to above structure. The bottom end of the threaded rod should be between $5/8'' - 1 1/4''$ above the top of the fixture. Thread the threaded rod adapter on to the threaded rod to the maximum depth possible.
- 3C.2** Lift fixture until the 10-32 standoff and the threaded rod adapter meet. Proceed to unthread adapter from threaded rod (not provided). As you do, the adapter will engage with the 10-32 standoff. Continue until adapter is flush against the fixture.

STEP 3D

FIXTURE SIDE

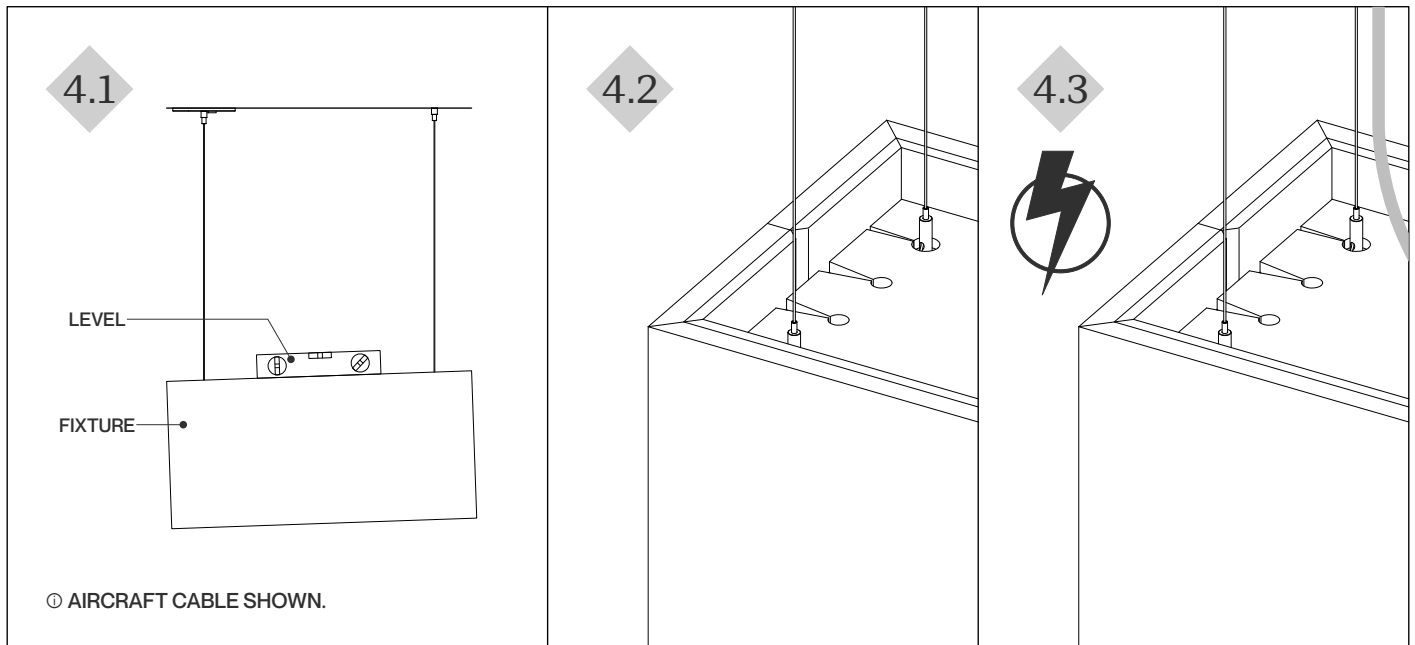
Direct to Strut



- 3D.1** Measure the distance between the nut locations on top of the fixture and suspend the strut accordingly.
- 3D.2** Insert the octagonal washer into the strut. For a 1.625" deep strut, the washer can be shifted into place. For a 0.8125" deep strut, the washer must be inserted into the end.
- 3D.3** Insert a 1/4"-20 bolt through the strut slot and into the washer. Position it so the bolt head is accessible for the driver. Use a #3 Phillips bit to drive the bolt into the nut on top of the fixture.
- 3D.4** Thread each bolt until the fixture is secure but still movable. Verify the position, then tighten each bolt one by one until snug.

STEP 4

FINAL STEPS



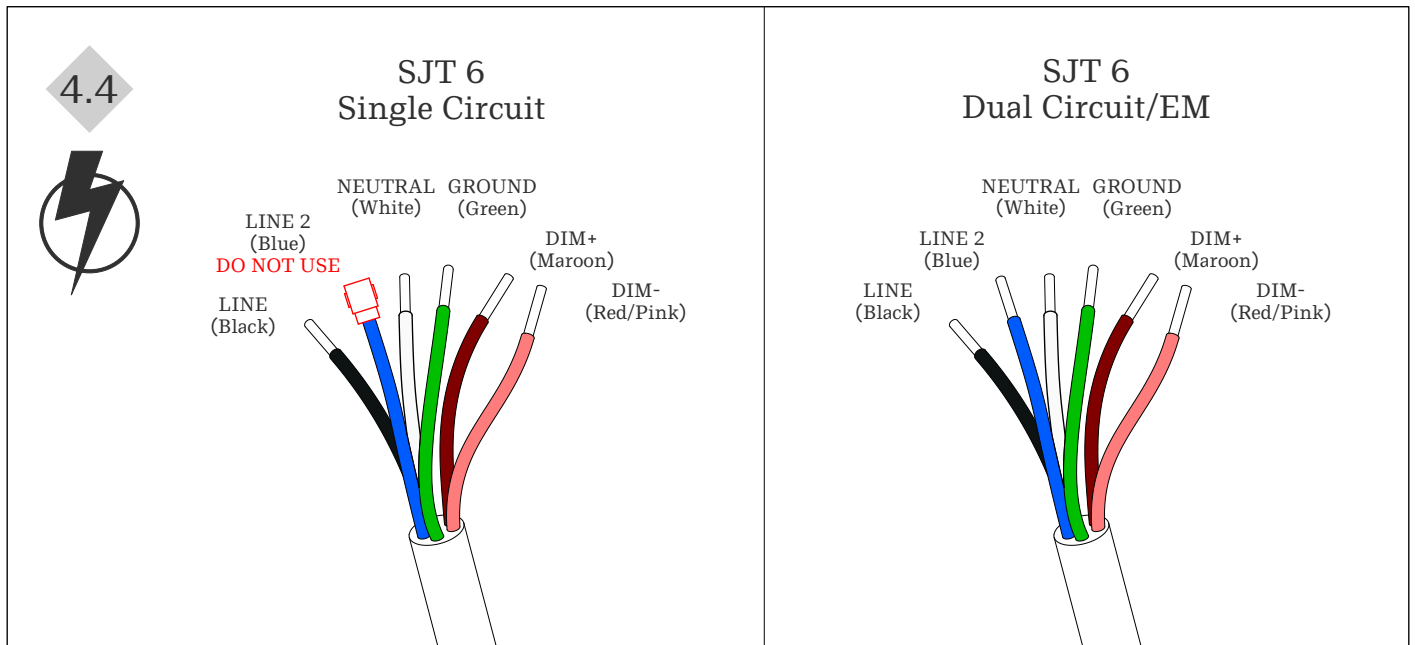
4.1 Level fixture.

4.2 If necessary cut the excess aircraft cable off or trim the excess strap, leaving at least 25mm past cam.

4.3 If the fixture includes lighting, ensure all wiring connections are made in accordance with local and national electrical codes. Note: Each cord should include an identification card. If the card is missing, refer to the wire color diagram on the following page.

STEP 4

FINAL STEPS (CONT.)



4.4

For SINGLE CIRCUIT fixtures, the blue wire is terminated with a red cap and should not be connected. For DUAL CIRCUIT/EM fixtures, the blue wire is active and must be connected as part of the circuit.

SABIN