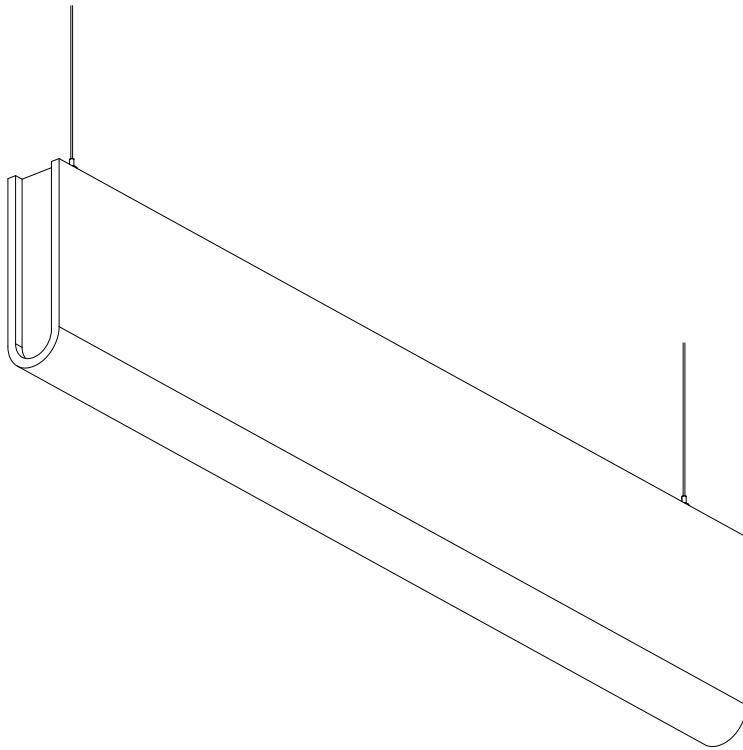


SABIN



INSTALLATION GUIDE

LINEAR LAUTNA 60

INSTALLING LINEAR LAUTNA 60

**THIS IS A GUIDE TO ASSIST WITH YOUR
SABIN PRODUCT INSTALLATION.**

The following pages explain best practices for a successful installation. Please note these are not comprehensive to every installation environment. Please contact our factory for specific questions.

GUIDELINES

STORAGE AND HANDLING
HARDWARE OVERVIEW

STEPS

1 CEILING SIDE

- 1A Hard Ceiling
- 1B Strut (Suspended)
- 1C Grid (Suspended)

2 FIXTURE SIDE

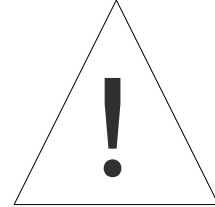
- 2A Aircraft Cable
- 2B Strap
- 2C Threaded Rod
- 2D Direct to Strut
- 2E Direct to Grid (T-Bar Clip)
- 2F Direct to Grid (Twist Clip)

3 RUN ASSEMBLY

4 FINAL STEPS

5 DRIVER SERVICE

READ PRIOR TO STARTING YOUR INSTALLATION



This product is suitable for indoor dry location only.

Do not switch line voltage until all the wiring is complete.

These products may represent a potential shock or fire hazard if improperly installed.

Products should be installed in accordance with local and National Electric Code (NEC).

This product should only be installed by a licensed Electrician.

Allow air to flow freely around the fixture.

Do not install the Fixture closer than 6.0" to combustible material.

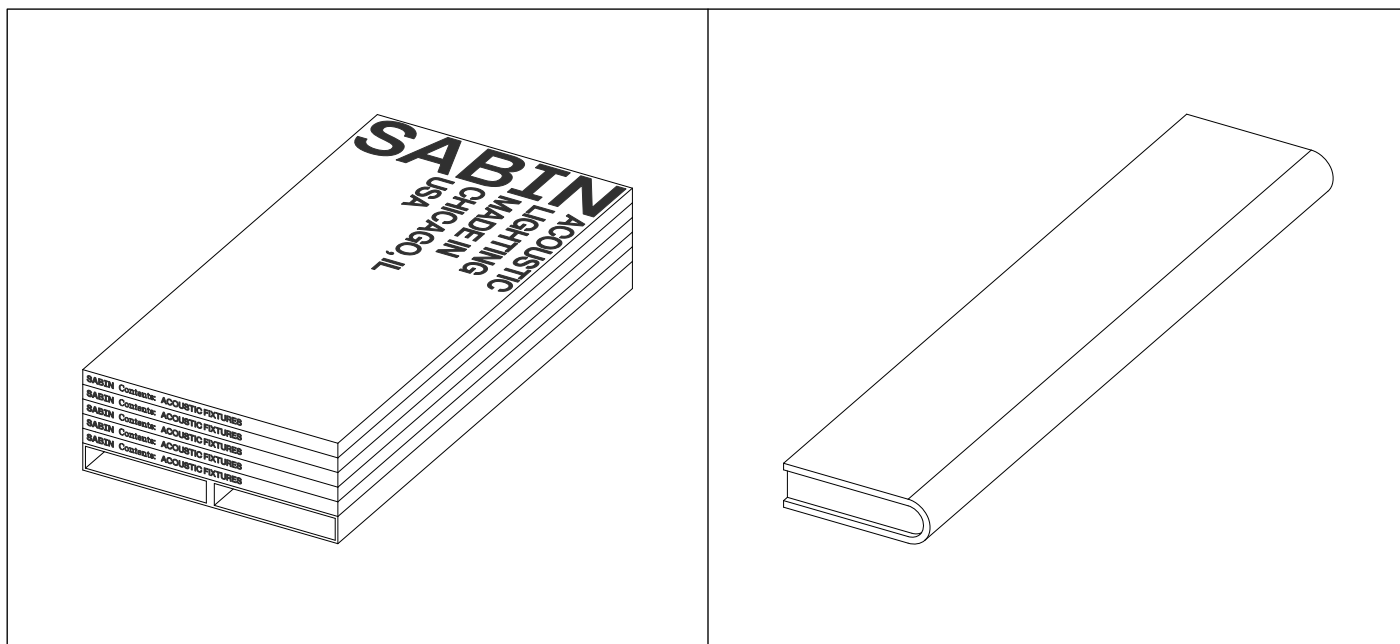
Do not use if there is any damage to the unit or to the wiring/insulation. Inspect periodically.

Confirm the proper gauge wires are used between Power Supplies, Controls & Fixture to avoid voltage drop.

Installer is responsible for reinforcing the ceiling to properly support the fixture weight.

Sabin LLC, accepts no responsibility for inadequately reinforced ceilings.

STORAGE AND HANDLING

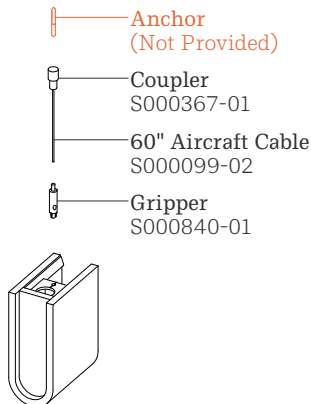


- 1 Store the products in their original packaging until installation.
- 2 Keep products in a dry, climate-controlled indoor space and elevate products off the floor to prevent material degradation. Do not stack heavy objects on top of stored products.
- 3 Open packaging in a dust-free area, using caution with sharp tools to avoid damaging the contents. Wear clean, white gloves when handling components to prevent stains or surface damage.
- 4 Avoid direct contact with light engines to prevent damage.

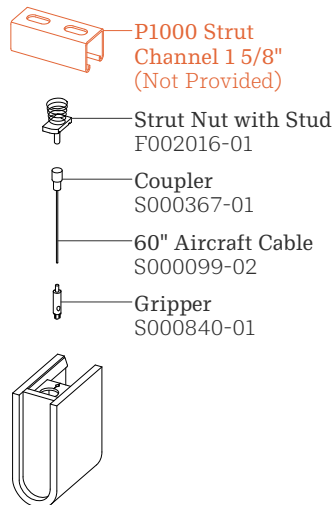
GUIDELINES

HARDWARE OVERVIEW

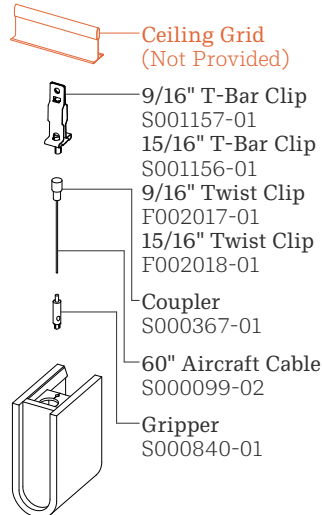
AIRCRAFT CABLE + HARD CEILING



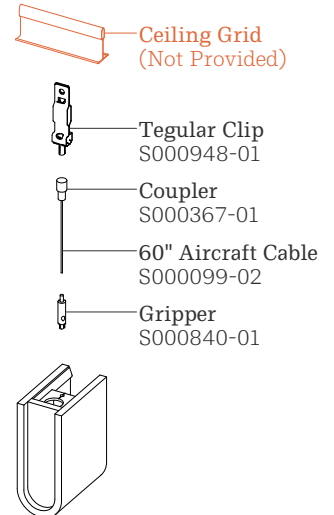
AIRCRAFT CABLE + STRUT



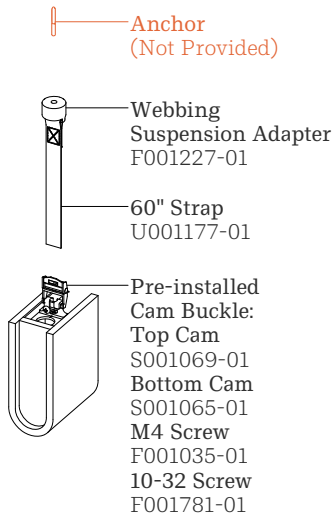
AIRCRAFT CABLE + STANDARD GRID



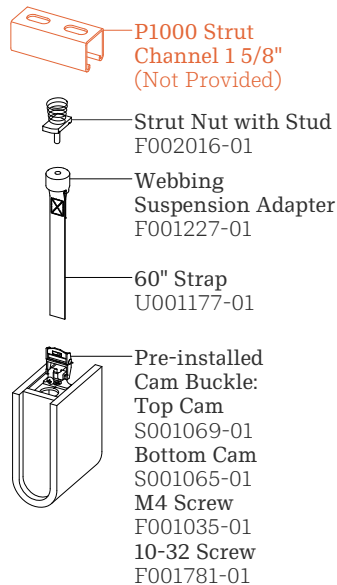
AIRCRAFT CABLE + TEGULAR GRID



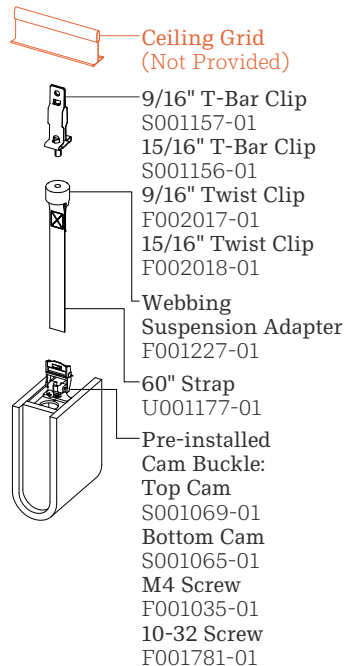
STRAP + HARD CEILING



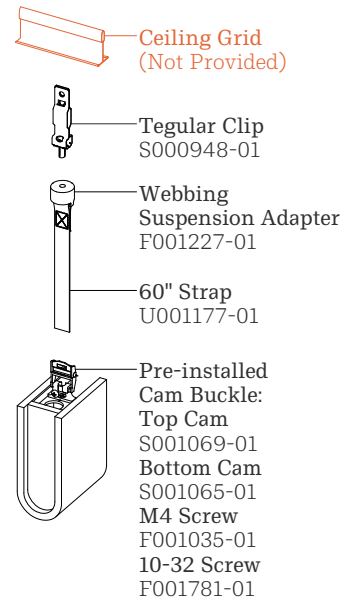
STRAP + STRUT



STRAP + STANDARD GRID



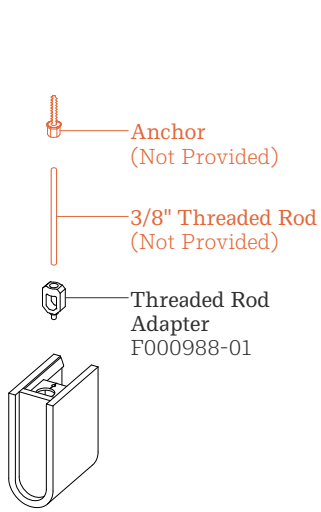
STRAP + TEGULAR GRID



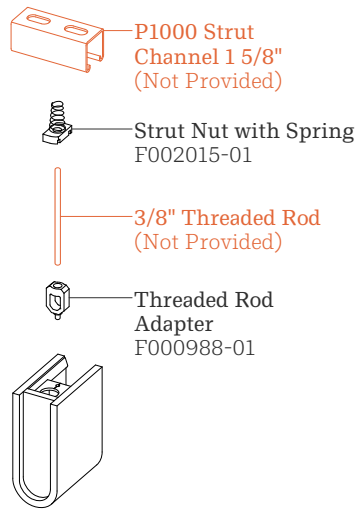
GUIDELINES

HARDWARE OVERVIEW

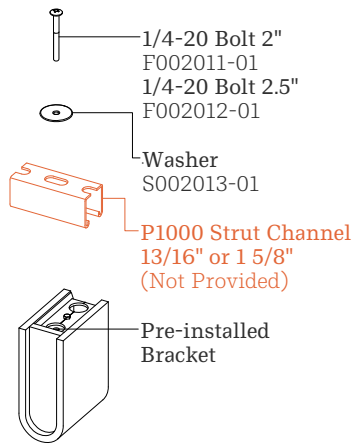
THREADED ROD + HARD CEILING



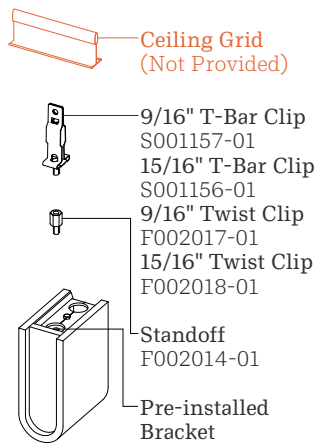
THREADED ROD + STRUT



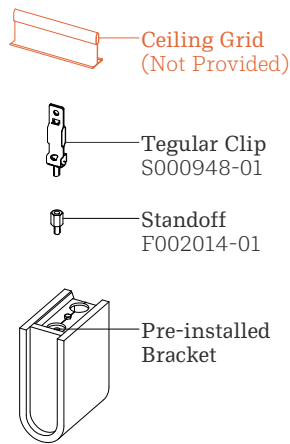
DIRECT TO + STRUT



DIRECT TO + STANDARD GRID

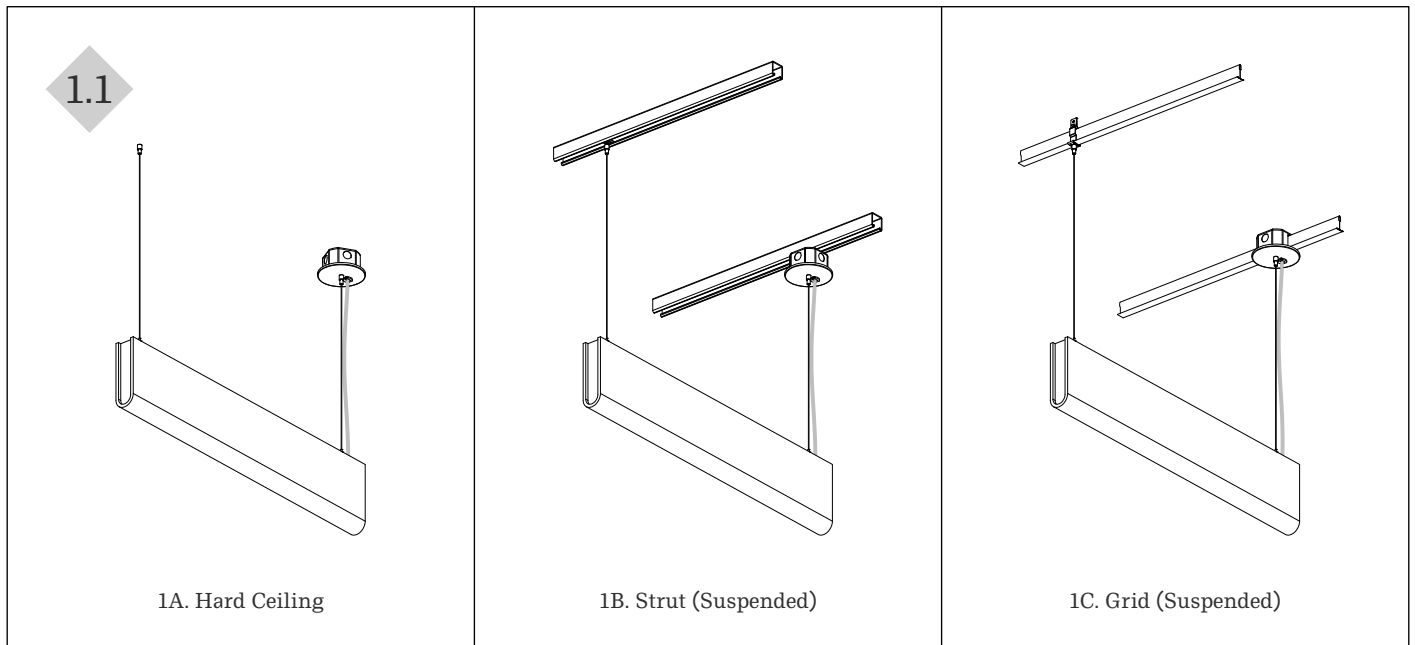


DIRECT TO + TEGULAR GRID



STEP 1

CEILING SIDE



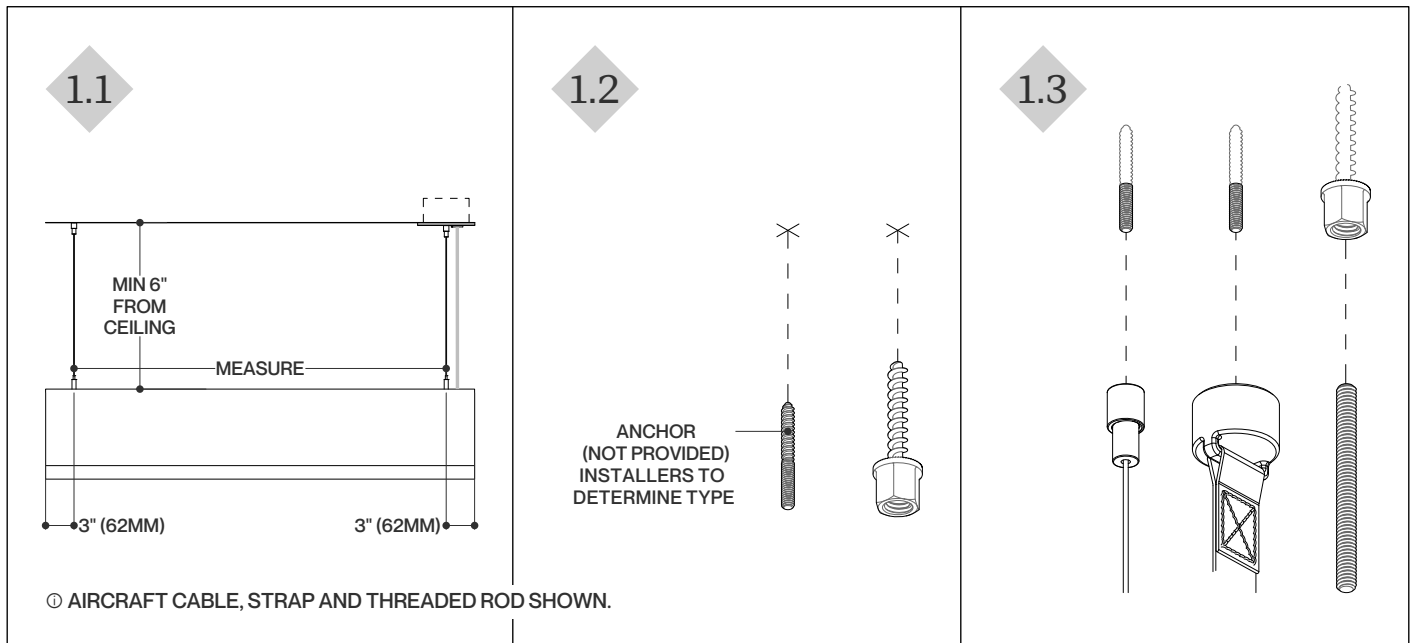
1.1

To properly install the fixture reference 1A-1C to complete the installation depending on the ceiling type.

STEP 1A

CEILING SIDE

Hard Ceiling



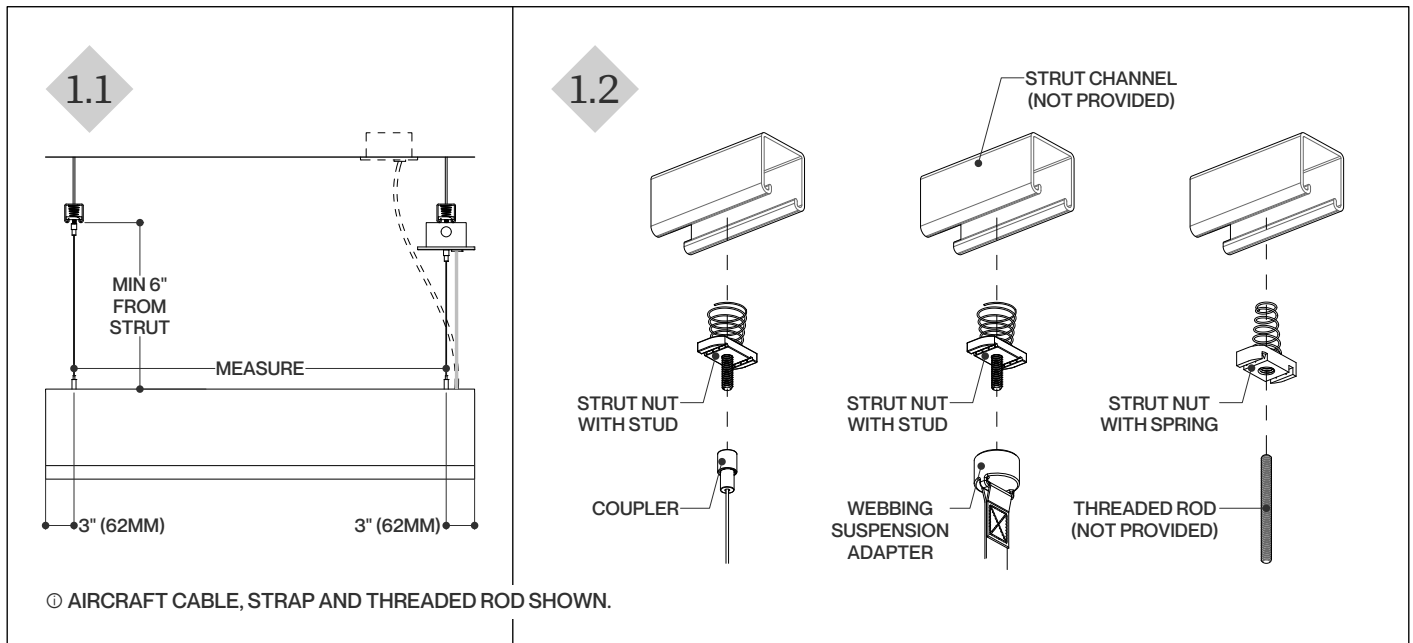
1A.1 Measure the distance between the suspension points, then mark this measurement to the surface.

1A.2 Install the 1/4"-20 anchors (not provided) onto the marks of the surface.

1A.3 Secure the coupler, the webbing suspension adapter or the threaded rod (with or without canopy) to the anchor followed by tightening.

STEP 1B

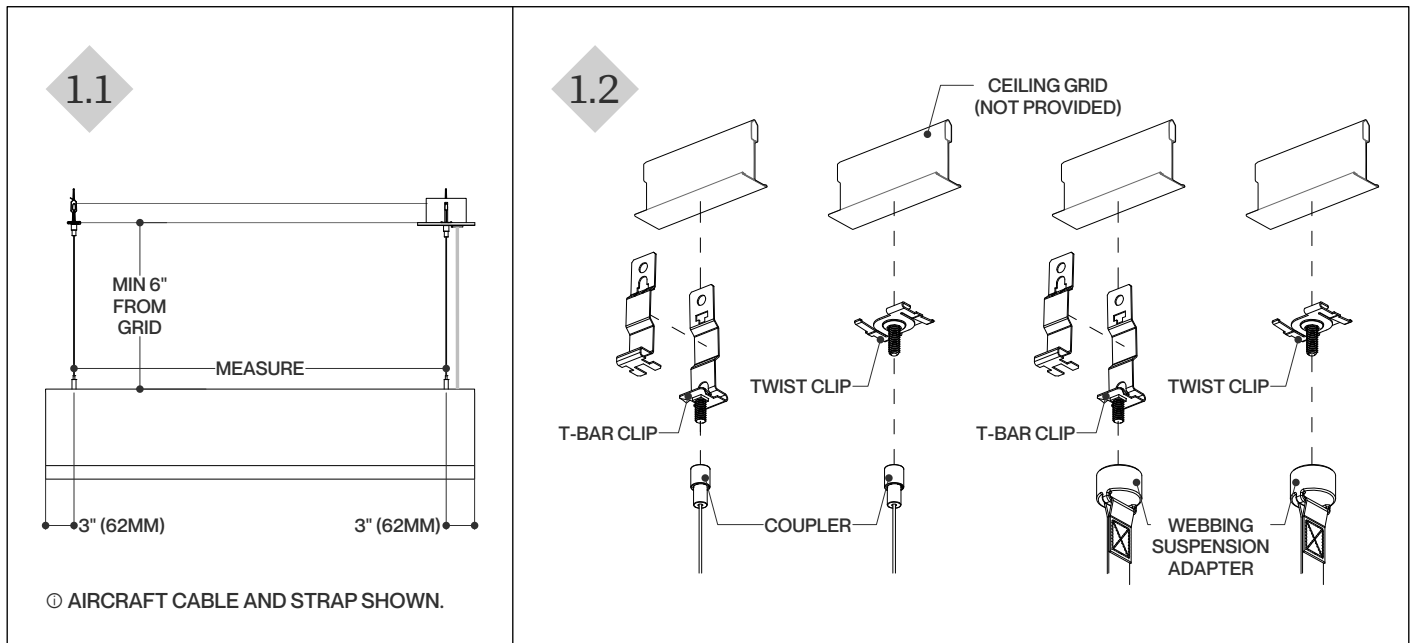
CEILING SIDE Strut (Suspended)



- 1B.1** Measure the distance between the suspension points, then transfer this measurement onto the strut channel (not provided).
- 1B.2** Twist and release the strut nut with stud or the strut nut with spring into the channel (not provided).
- 1B.3** Secure the coupler or the webbing suspension adapter to the strut nut with stud, or the threaded rod to the strut nut with spring (with or without canopy) followed by tightening.

STEP 1C

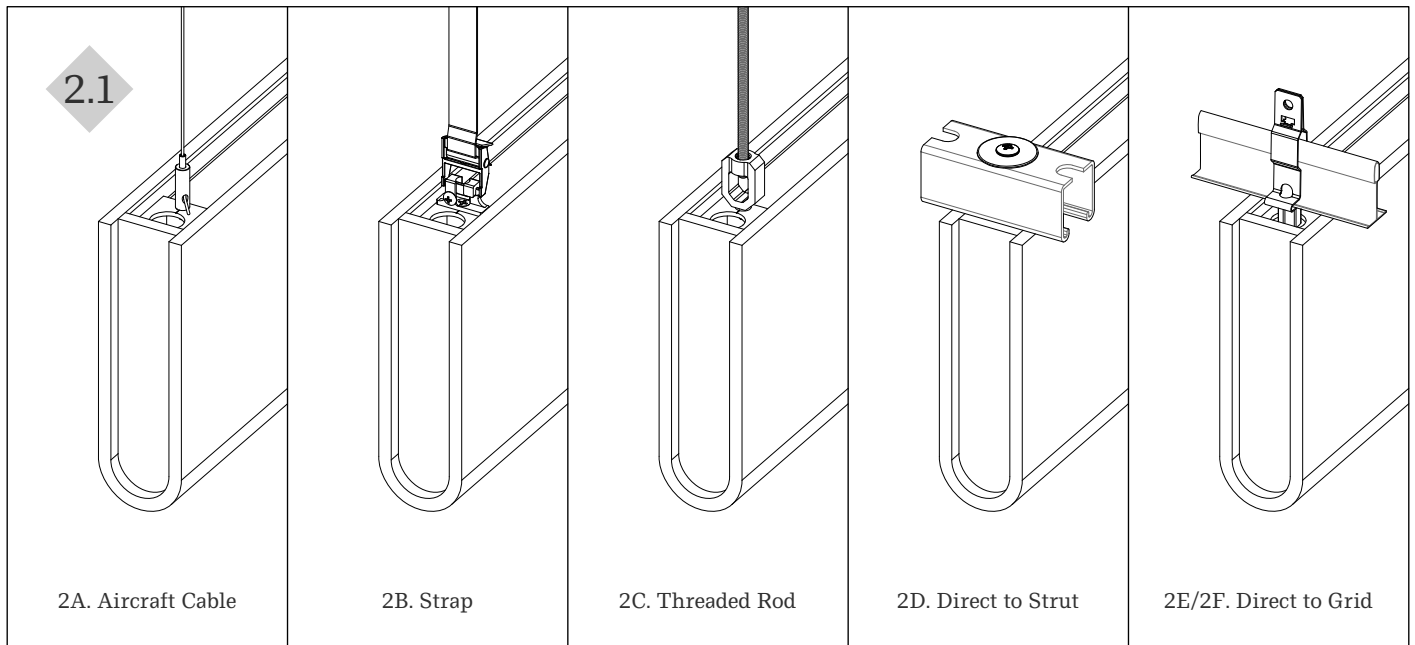
CEILING SIDE Grid (Suspended)



- 1C.1** Measure the distance between the suspension points, then transfer this measurement onto the ceiling grid (not provided). Note: Clip selection (T-bar clip or twist clip) is determined by both the product's weight and the ceiling grid specifications.
- 1C.2** Slide the main section of the T-bar clip onto the ceiling grid (not provided). Insert the secondary section and snap it into place to secure both parts. Alternatively, align the twist clip with the ceiling grid and rotate until it locks firmly in place.
- 1C.3** Secure the coupler (with or without canopy) to the T-bar clip or twist clip followed by tightening.

STEP 2

FIXTURE SIDE



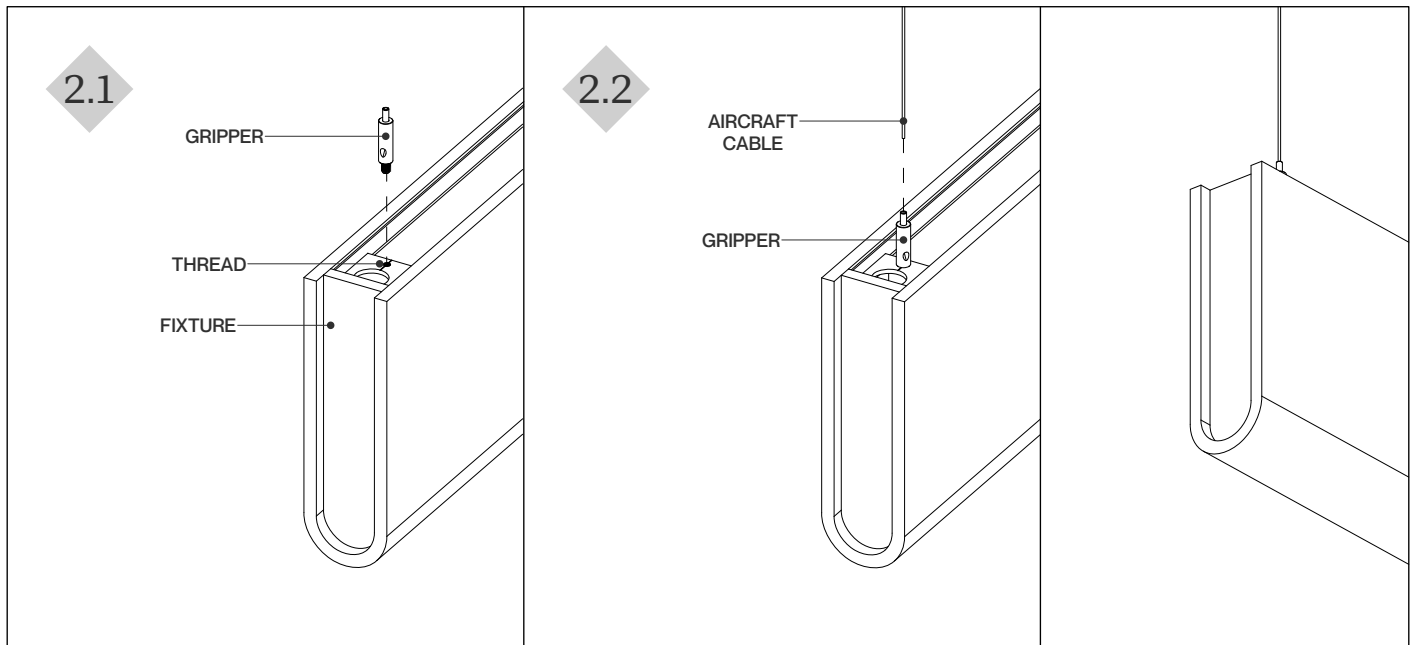
2.1

To properly install the fixture reference 2A-2F to complete the installation depending on the suspension type.

STEP 2A

FIXTURE SIDE

Aircraft Cable



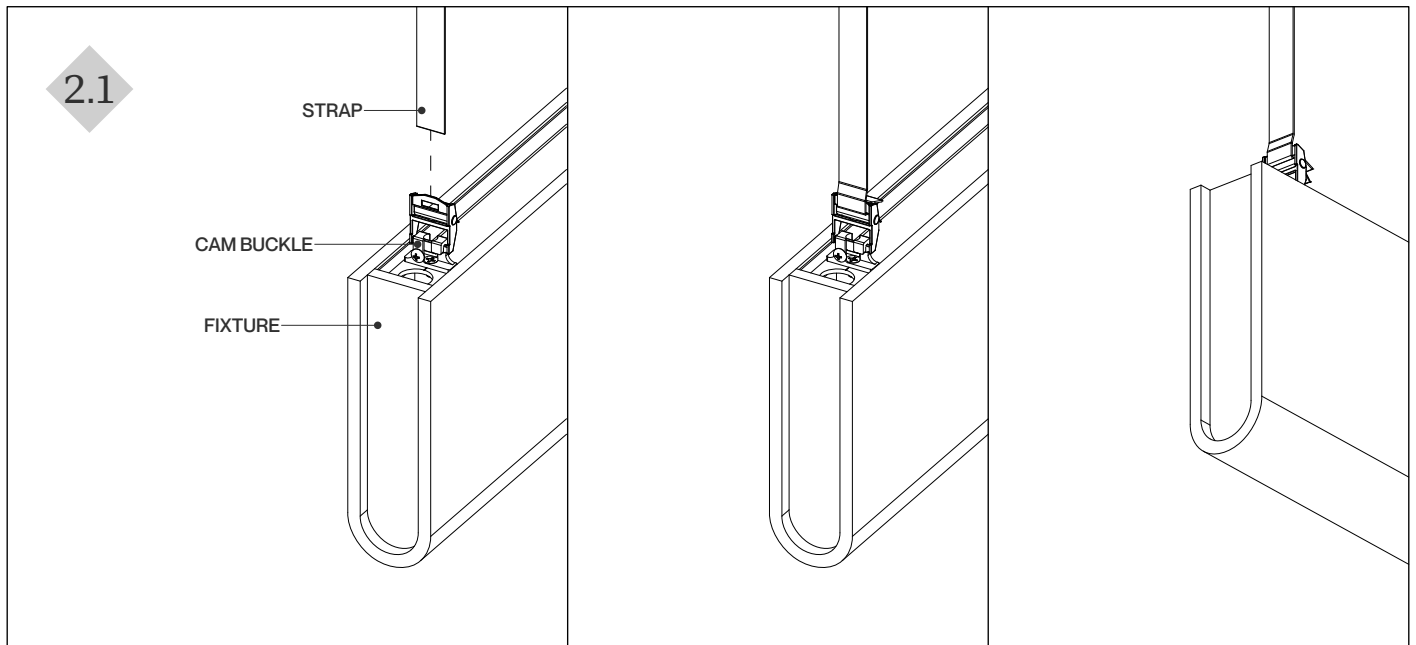
2A.1 From the top of the fixture, insert each gripper into the thread and secure it in place.

2A.2 Insert each aircraft cable into the gripper until the desired height is achieved.

STEP 2B

FIXTURE SIDE

Strap

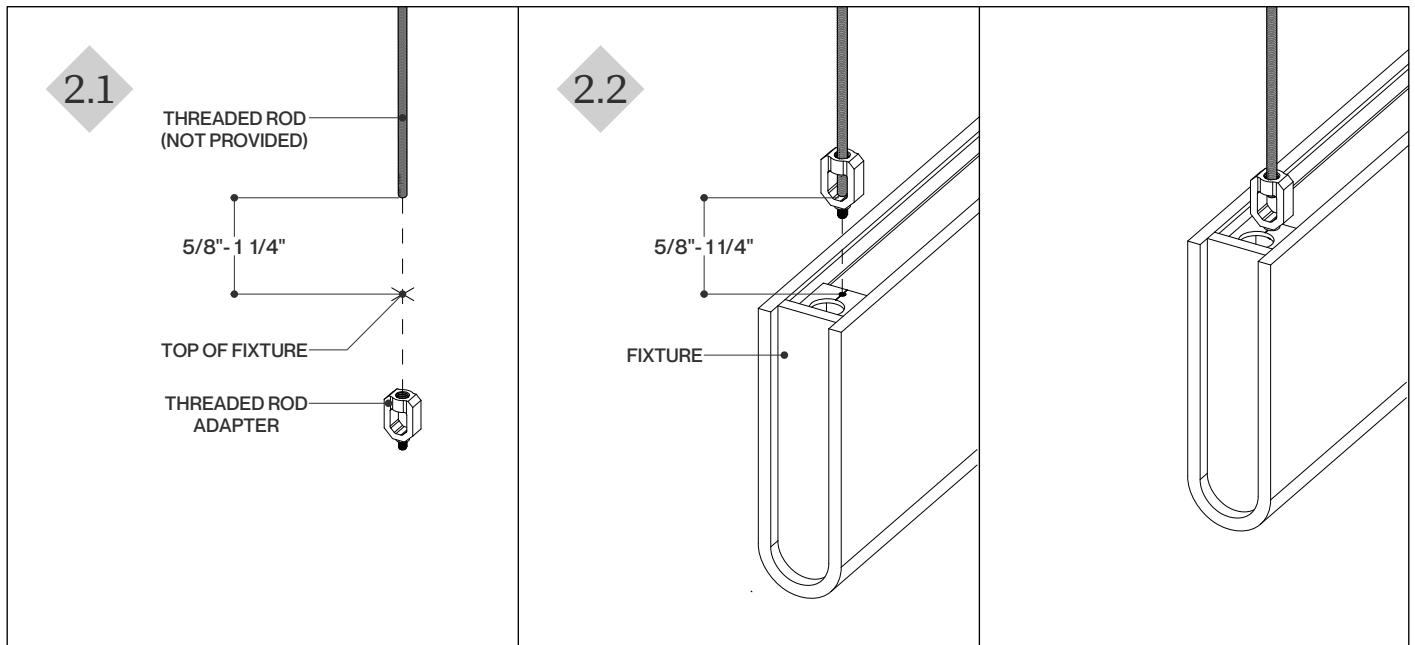


2B.1 From the top of the fixture, insert each strap into the cam buckle until the desired height is achieved.

STEP 2C

FIXTURE SIDE

Threaded Rod



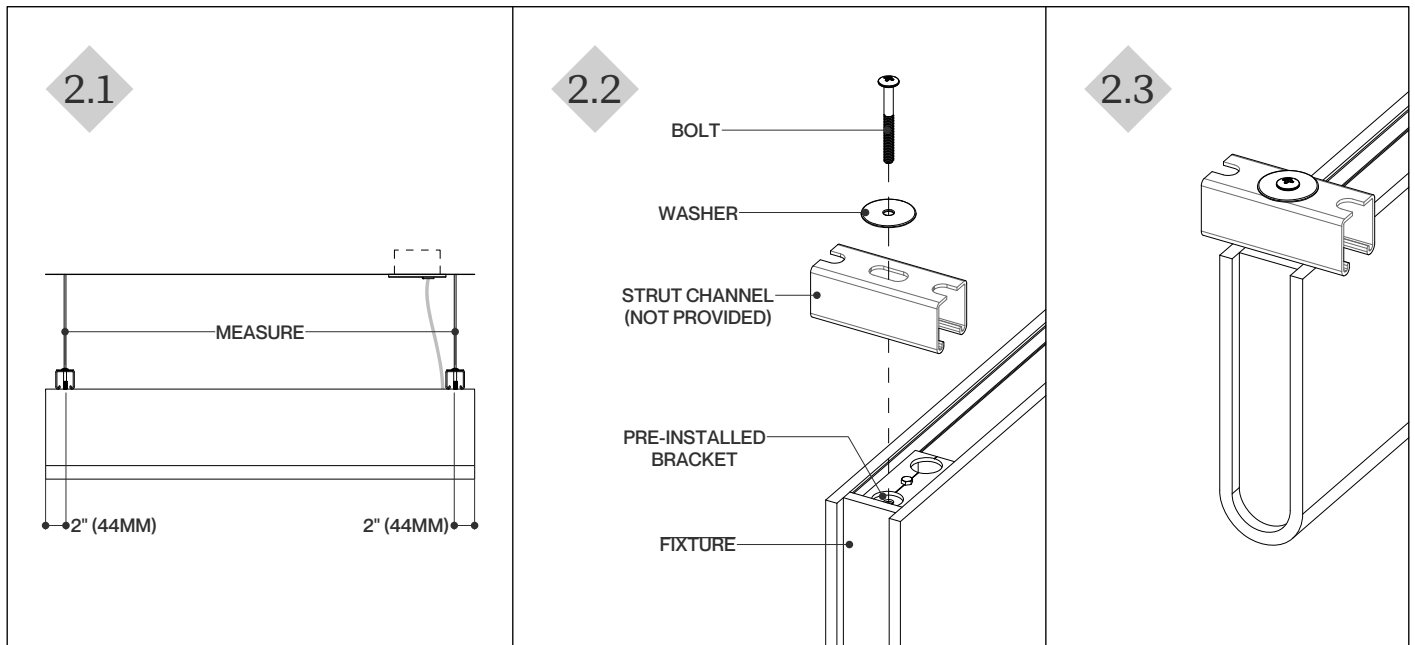
2C.1 Install 3/8" threaded rod (not provided) to above structure. The bottom end of the threaded rod should be between 5/8" - 1 1/4" above the top of the fixture. Thread the threaded rod adapter on to the threaded rod to the maximum depth possible.

2C.2 Lift fixture until the 10-32 standoff and the threaded rod adapter meet. Proceed to unthread adapter from threaded rod (not provided). As you do, the adapter will engage with the 10-32 standoff. Continue until adapter is flush against the fixture.

STEP 2D

FIXTURE SIDE

Direct to Strut

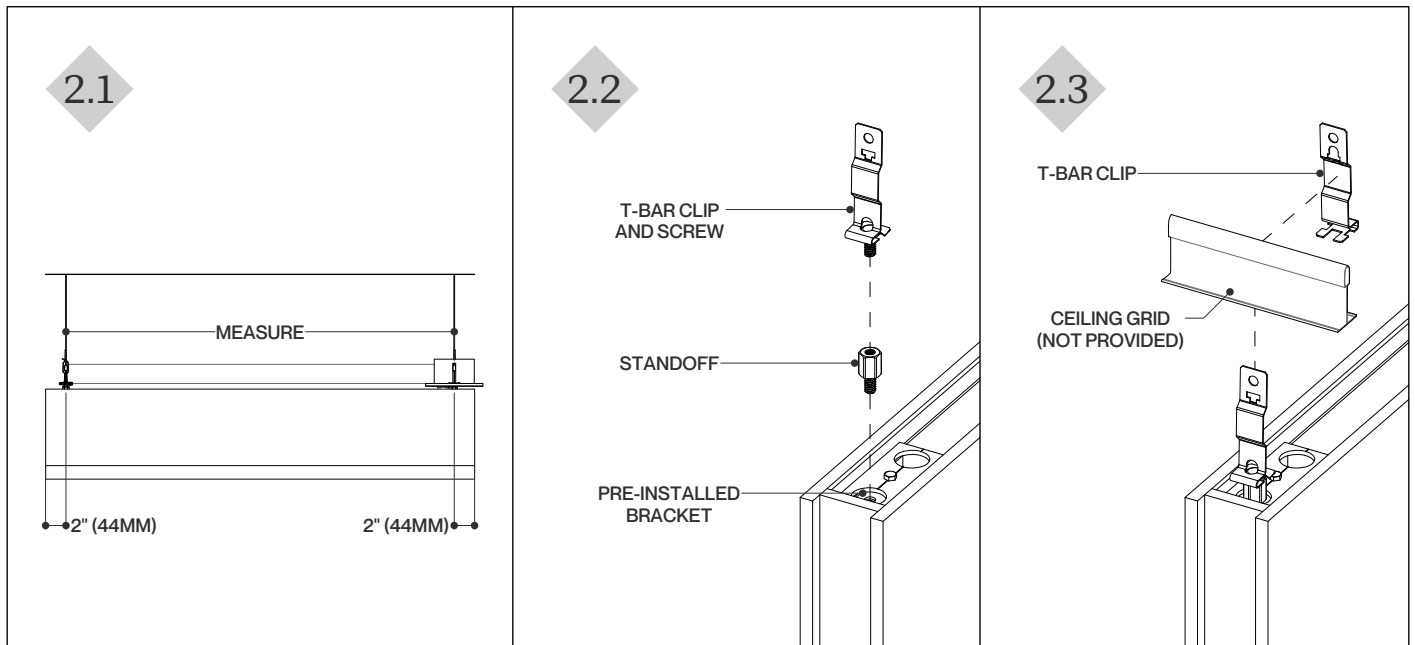


- 2D.1** Measure the distance between the suspension points, then transfer this measurement onto the strut channel (not provided).
- 2D.2** To install, align the pre-installed bracket with the strut (not provided), insert the bolt through the washer, and fasten it securely. Do not overtighten. Note: A 2.5" bolt is used with 1.625" (1 5/8") struts, and a 2" bolt with 0.8125" (13/16") struts.
- 2D.3** Check for proper alignment and ensure the connection is stable.

STEP 2E

FIXTURE SIDE

Direct to Grid (T-Bar Clip)

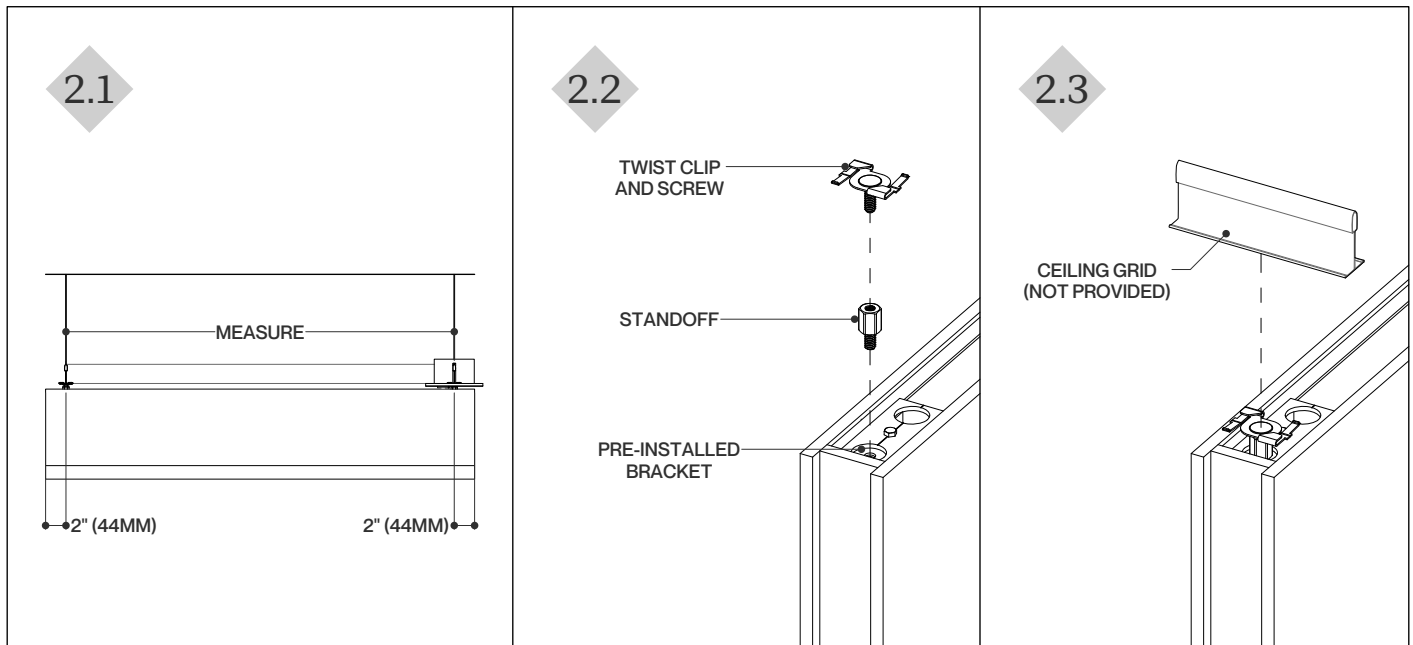


- 2E.1** Measure the distance between the suspension points, then transfer this measurement onto the ceiling grid (not provided). Note: Clip selection (T-bar clip or twist clip) is determined by both the product's weight and the ceiling grid specifications.
- 2E.2** Attach the main section of the T-bar clip to the standoff using the screw, then carefully thread the standoff into the fixture's pre-installed bracket. Do not overtighten.
- 2E.3** Raise the T-bar clip assembly up through the ceiling grid (not provided). Then, insert the second part of the clip onto the grid and snap it in place to secure both sections.
- 2E.4** Check for proper alignment and ensure the connection is stable.

STEP 2F

FIXTURE SIDE

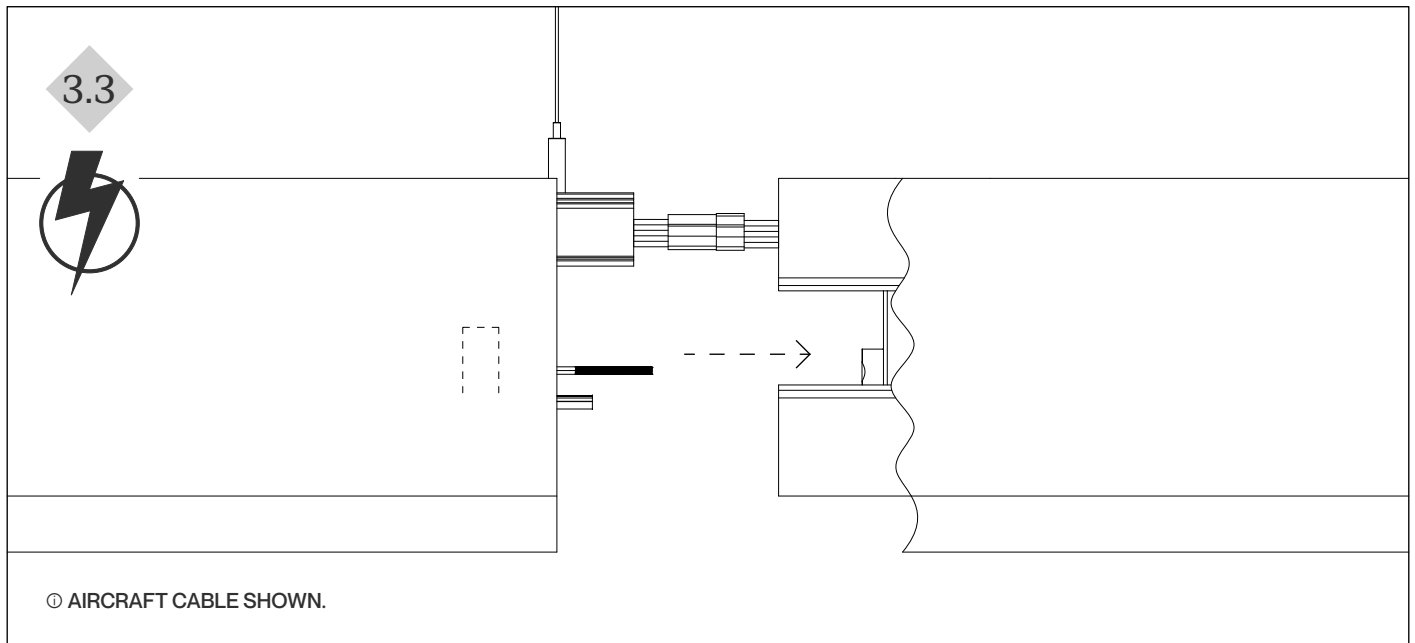
Direct to Grid (Twist Clip)



- 2F.1** Measure the distance between the suspension points, then transfer this measurement onto the ceiling grid (not provided). Note: Clip selection (T-bar clip or twist clip) is determined by both the product's weight and the ceiling grid specifications.
- 2F.2** Attach the twist clip to the standoff using the screw, then carefully thread the standoff into the fixture's pre-installed bracket. Do not overtighten.
- 2F.3** Raise the twist clip assembly up through the ceiling grid (not provided). Then, twist it on counterclockwise until you hear a click.
- 2F.4** Check for proper alignment and ensure the connection is stable.

STEP 3

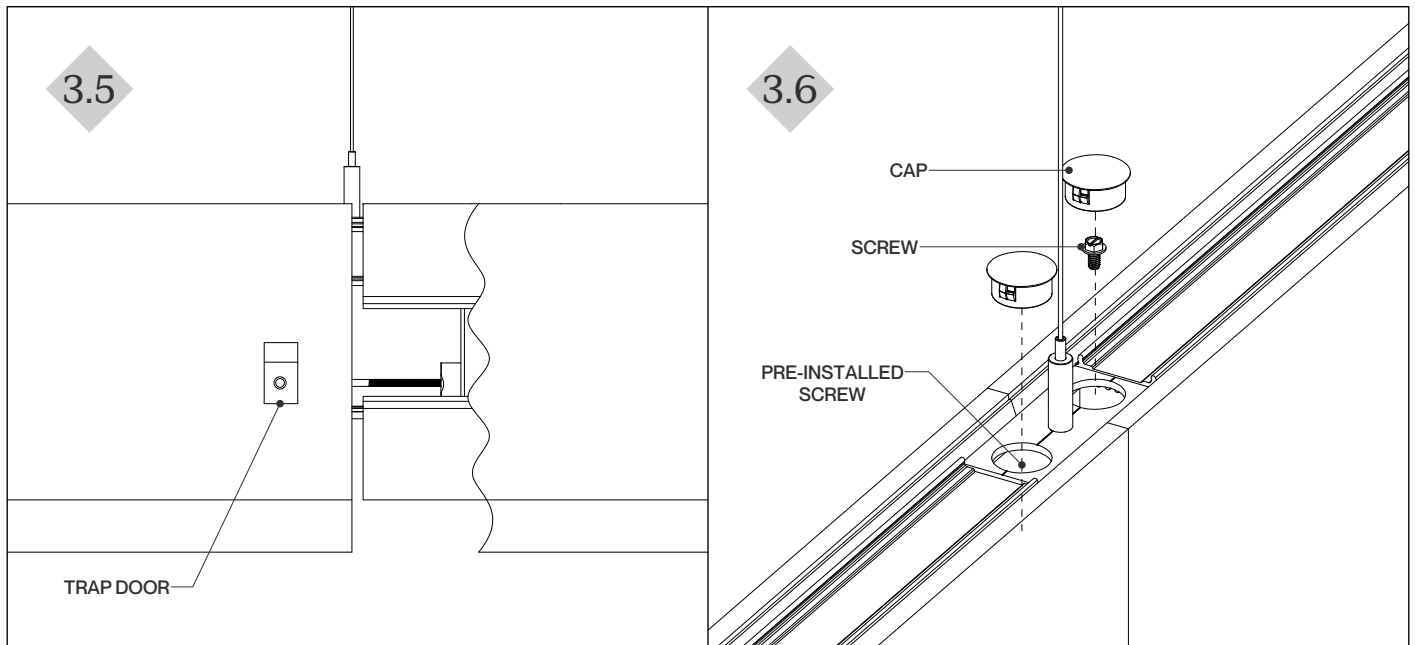
RUN ASSEMBLY



- 3.1** Suspend the first unit (start) with its exposed end facing in the direction the run continues.
- 3.2** Suspend the fixture (intermediate or end) by its single gripper or suspension type. This gripper is located on the opposite end of the baffle from where the joint is being made. Make sure to support the free end of the baffle until step 3.4 is complete.
- 3.3** If the fixture includes lighting, make electrical connection between units. Use provided holes on top of fixture to brace connectors when mating.
- 3.4** Gently guide the units together with attention to the upper and lower alignment components. Do so until stopped. There should remain a small gap. Assess the gap between units. Edges of felt should be parallel. Level adjoining fixture accordingly.

STEP 3

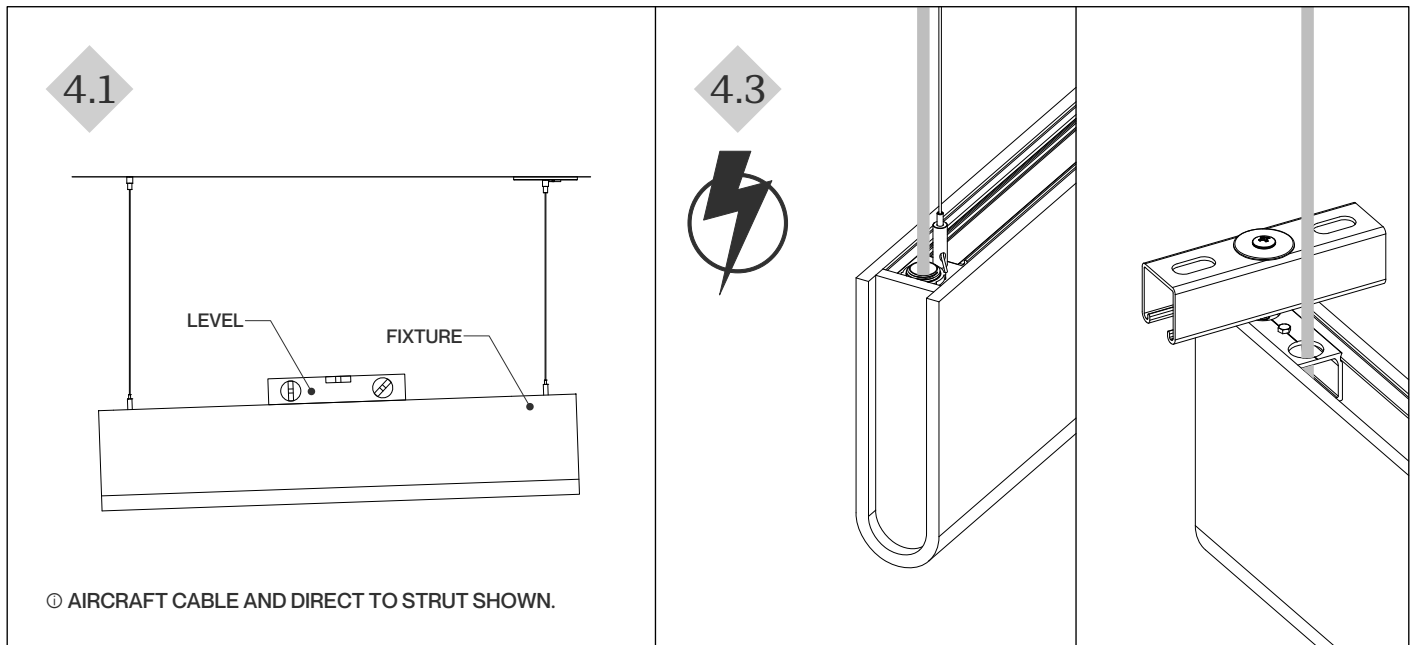
RUN ASSEMBLY (CONT.)



- 3.5** Once level, open trap door by pulling the provided tab. Insert provided torx bit into trap door and drive until felt faces are flush, careful not to over torque. Remove tape tab on trap door, close, and inspect to smoothness. All resulting seams should be minimally visible.
- 3.6** The upper alignment component includes one pre-installed screw. Use the provided second screw to secure the opposite side. Then, insert the provided caps into the top openings of the fixture to seal the electrical compartment.
- 3.7** Inspect gap between lenses. Gap should be roughly 1mm (1/32") in width. Adjust lens accordingly.
- 3.8** Repeat steps 3.2-3.7 until the end of the run.

STEP 4

FINAL STEPS



4.1

Level fixture.

4.2

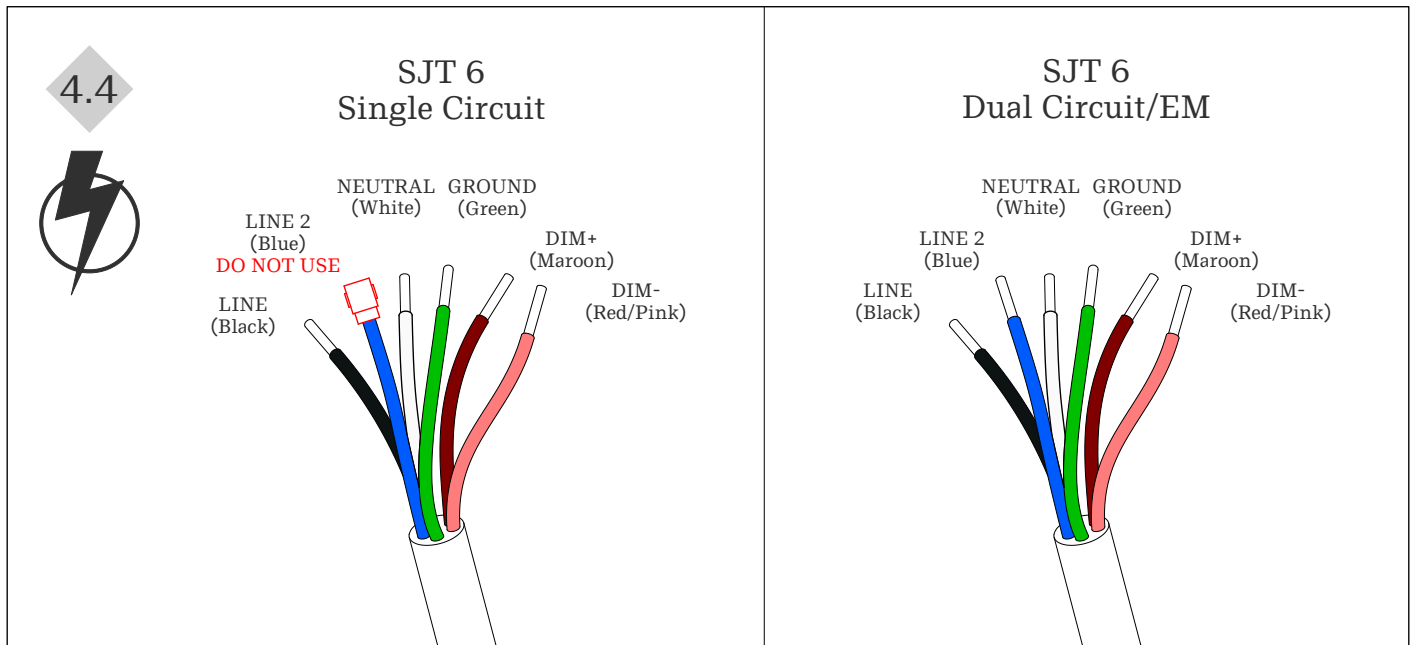
If necessary cut the excess aircraft cable off or trim the excess strap, leaving at least 25mm past cam.

4.3

If the fixture includes lighting, ensure all wiring connections are made in accordance with local and national electrical codes. Note: Each cord should include an identification card. If the card is missing, refer to the wire color diagram on the following page.

STEP 4

FINAL STEPS (CONT.)

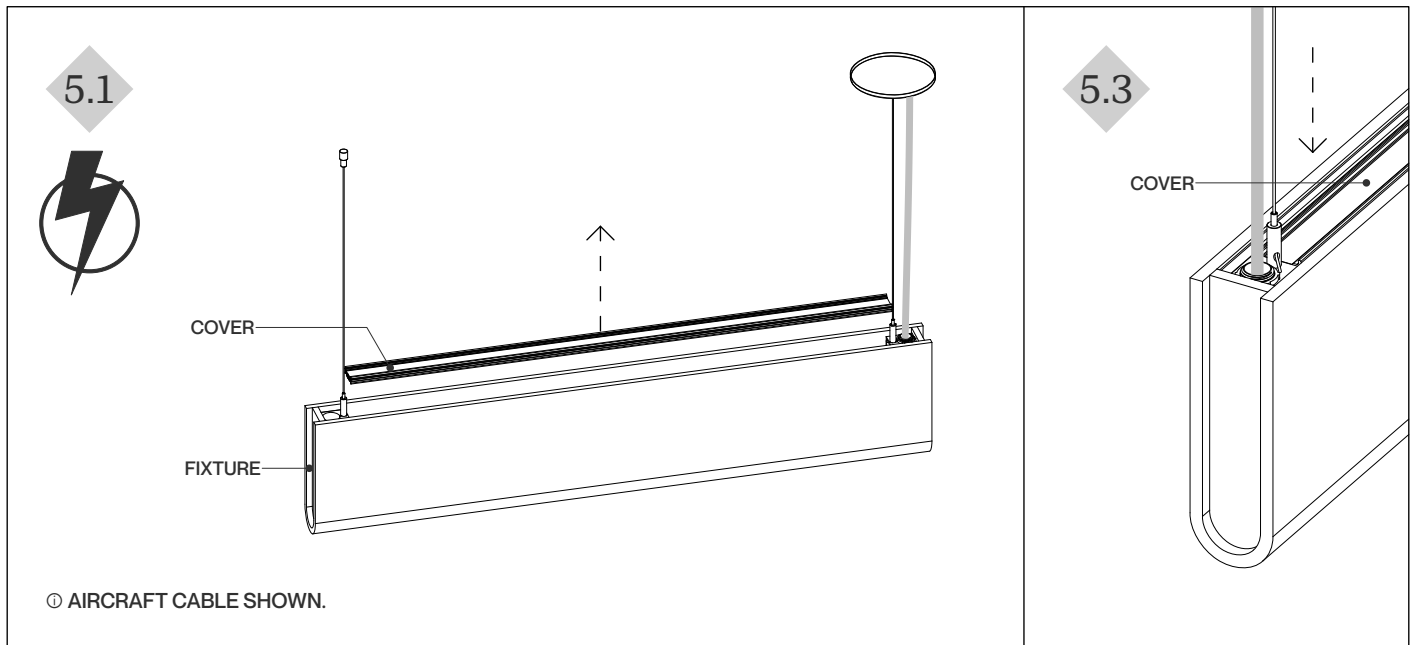


4.4

For SINGLE CIRCUIT fixtures, the blue wire is terminated with a red cap and should not be connected. For DUAL CIRCUIT/EM fixtures, the blue wire is active and must be connected as part of the circuit.

STEP 5

DRIVER SERVICE



- 5.1** Use a flathead screwdriver to remove the top cover, prying along the edge between the two aluminum faces.
- 5.2** Make the adjustments and/or replacement to the driver.
- 5.3** Align the cover to the top of fixture and secure by pressing along length to snap into place.

SABIN