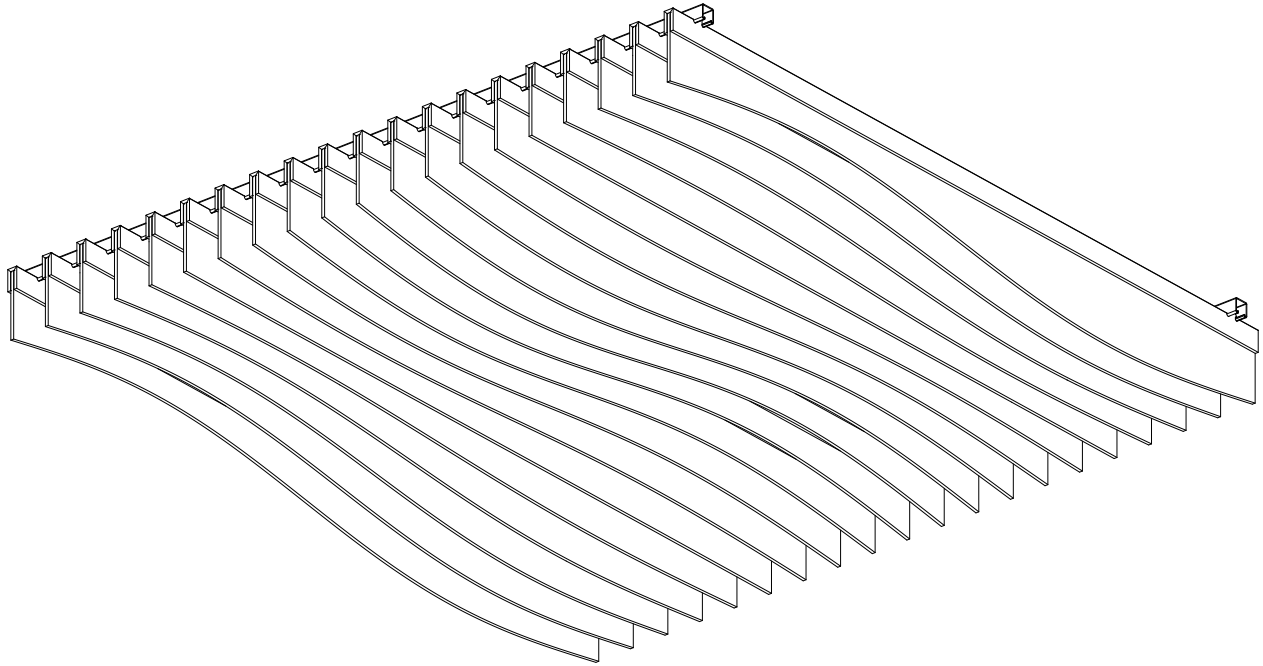


SABIN



INSTALLATION GUIDE

LINEAR MOTION 9

INSTALLING LINEAR MOTION 9

**THIS IS A GUIDE TO ASSIST WITH YOUR
SABIN PRODUCT INSTALLATION.**

The following pages explain best practices for a successful installation. Please note these are not comprehensive to every installation environment. Please contact our factory for specific questions.

GUIDELINES

STORAGE AND HANDLING
CONFIGURATIONS
HARDWARE OVERVIEW

STEPS

1 CEILING SIDE

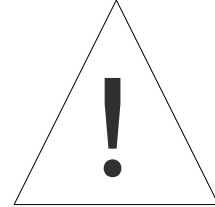
- 1A Hard Ceiling
- 1B Strut (Suspended)
- 1C Grid (Suspended)

2 FIXTURE SIDE

- 2A Aircraft Cable
- 2B Direct to Strut
- 2C Direct to Grid (T-Bar Clip)
- 2D Direct to Grid (Twist Clip)

3 FINAL STEPS

READ PRIOR TO STARTING YOUR INSTALLATION



This product is suitable for indoor dry location only.

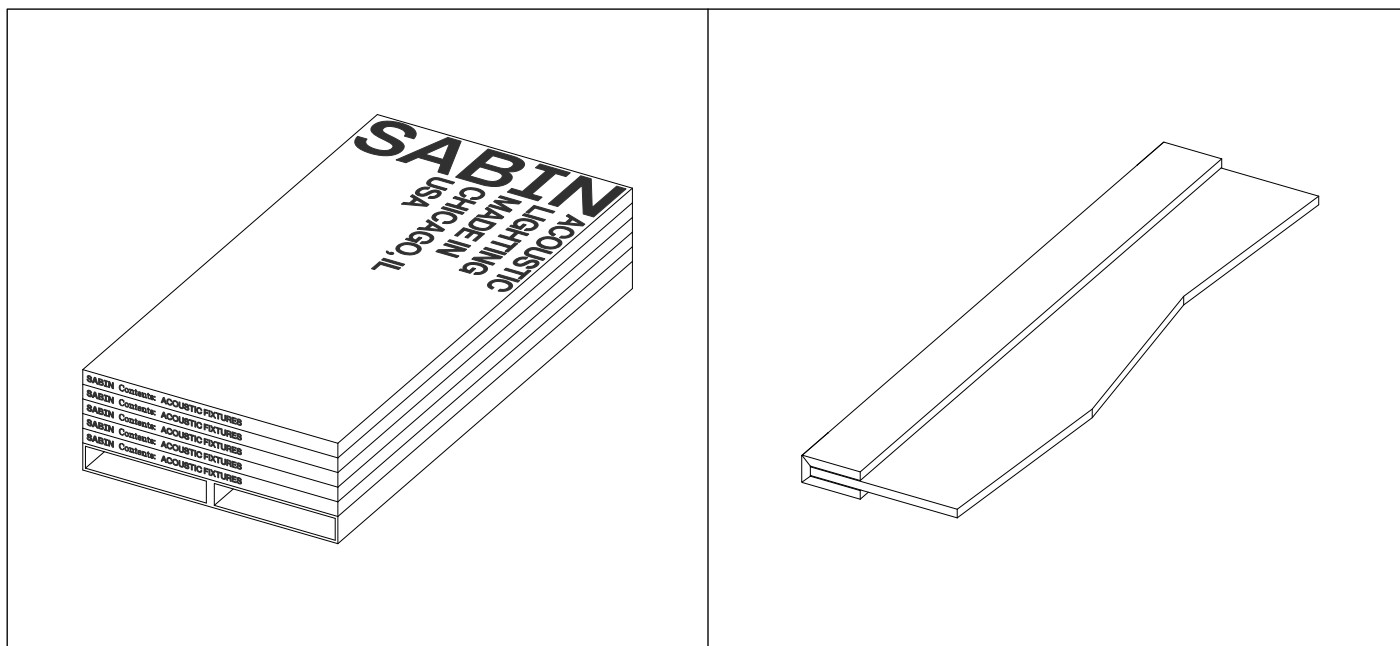
Allow air to flow freely around the fixture.

Do not install the Fixture closer than 6.0" to combustible material.

Installer is responsible for reinforcing the ceiling to properly support the fixture weight.

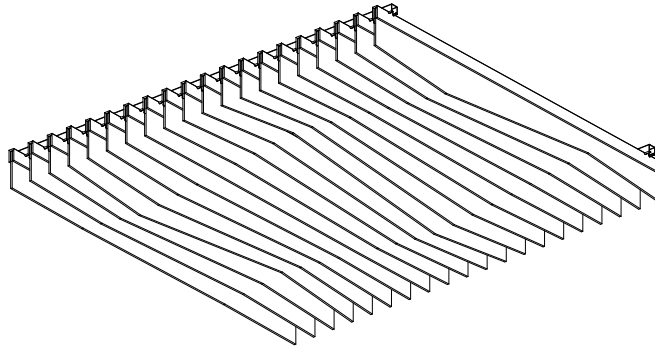
Sabin LLC, accepts no responsibility for inadequately reinforced ceilings.

STORAGE AND HANDLING

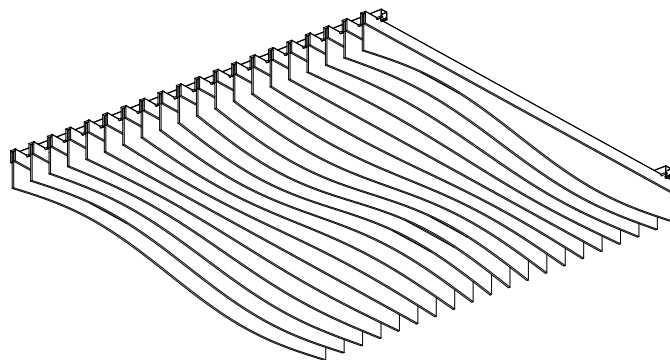


- 1 Store the products in their original packaging until installation.
- 2 Keep products in a dry, climate-controlled indoor space and elevate products off the floor to prevent material degradation. Do not stack heavy objects on top of stored products.
- 3 Open packaging in a dust-free area, using caution with sharp tools to avoid damaging the contents. Wear clean, white gloves when handling components to prevent stains or surface damage.

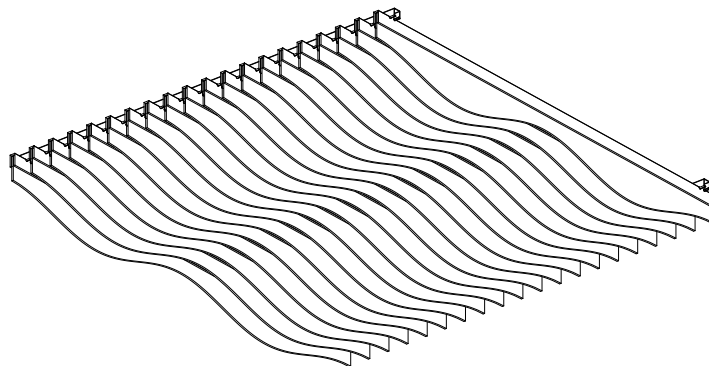
CONFIGURATIONS



FACET



SARGASSO

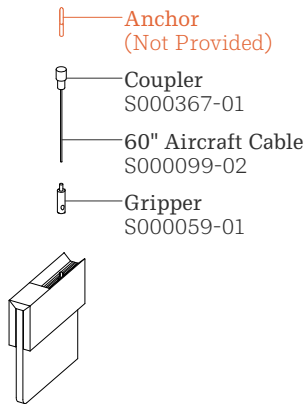


BREEZE

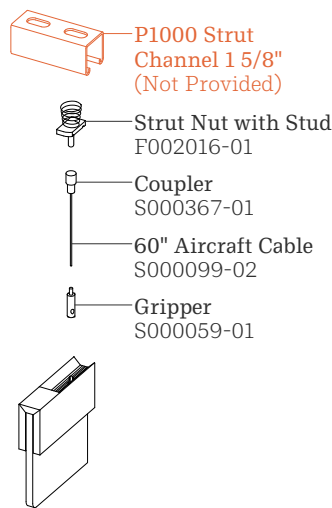
GUIDELINES

HARDWARE OVERVIEW

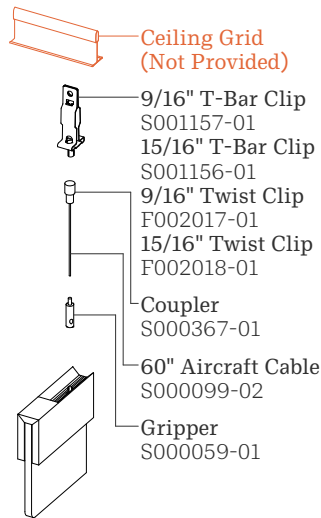
AIRCRAFT CABLE + HARD CEILING



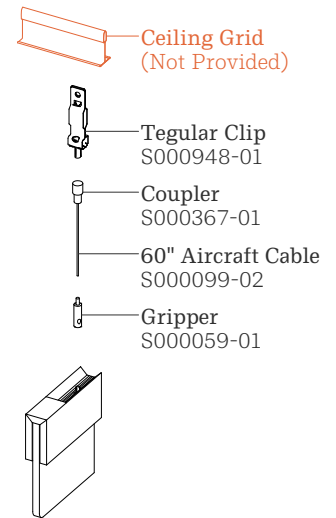
AIRCRAFT CABLE + STRUT



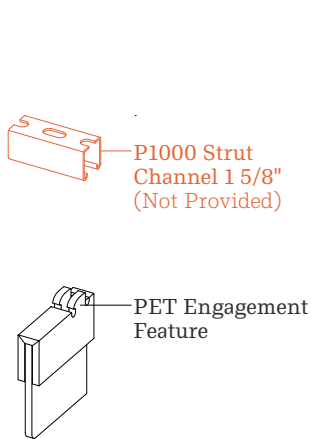
AIRCRAFT CABLE + STANDARD GRID



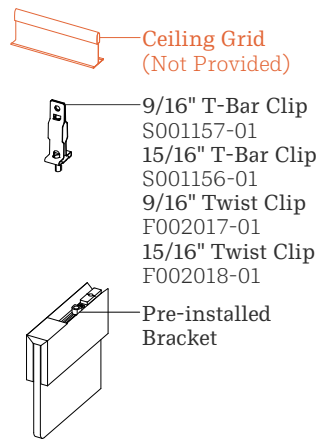
AIRCRAFT CABLE + TEGULAR GRID



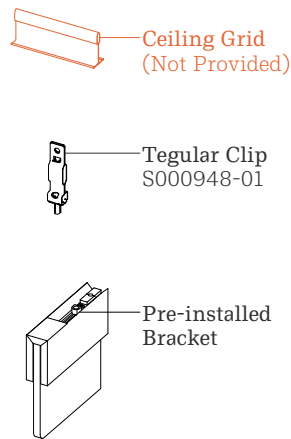
DIRECT TO + STRUT



DIRECT TO + STANDARD GRID

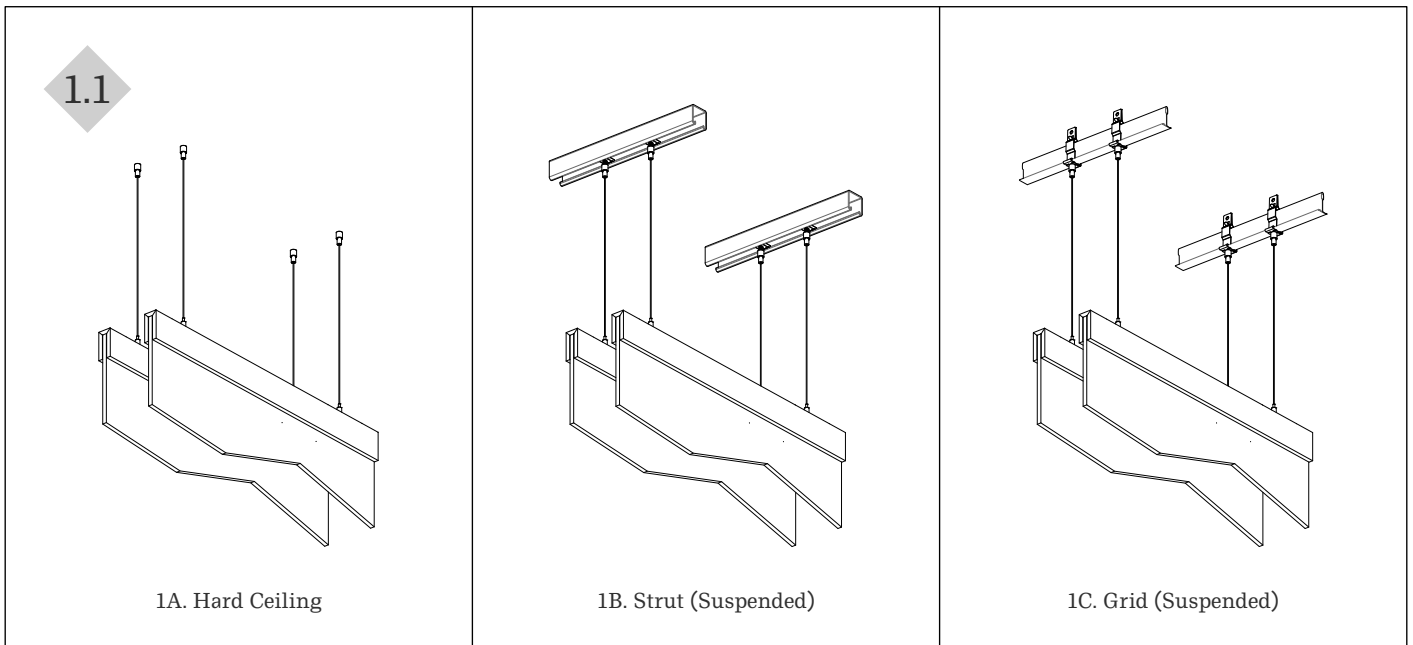


DIRECT TO + TEGULAR GRID



STEP 1

CEILING SIDE



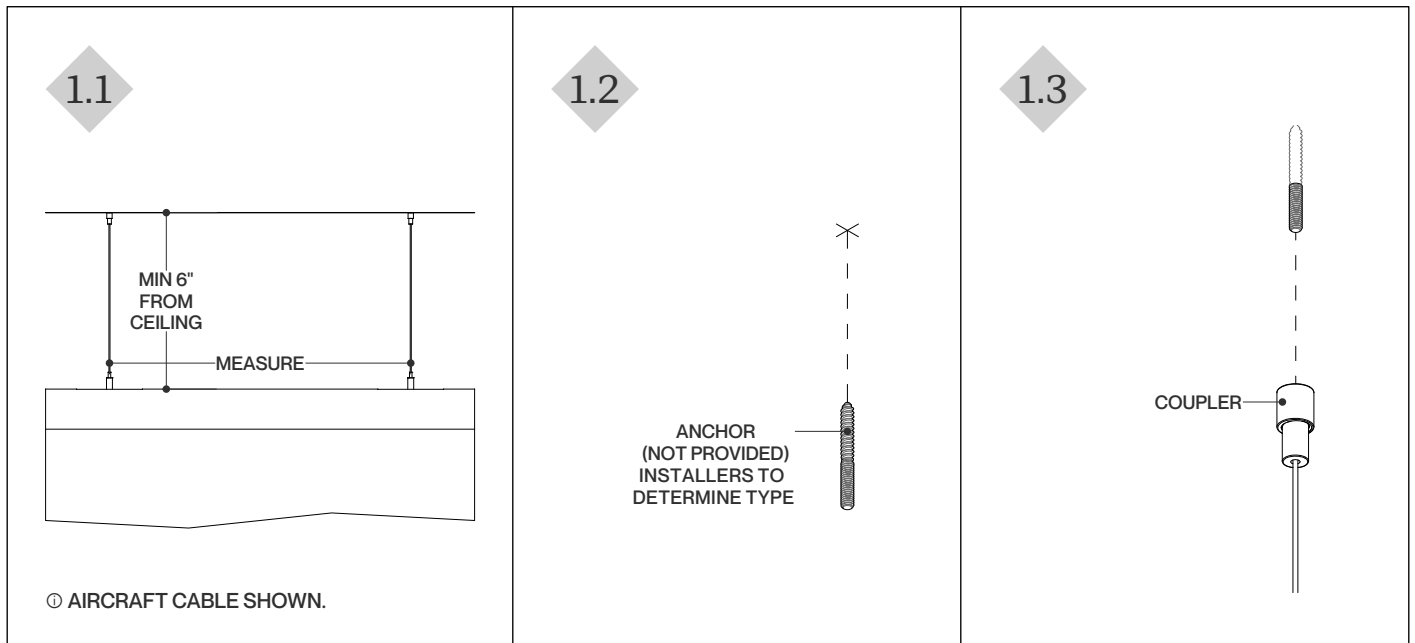
1.1

To properly install the fixture reference 1A-1C to complete the installation depending on the ceiling type.

STEP 1A

CEILING SIDE

Hard Ceiling



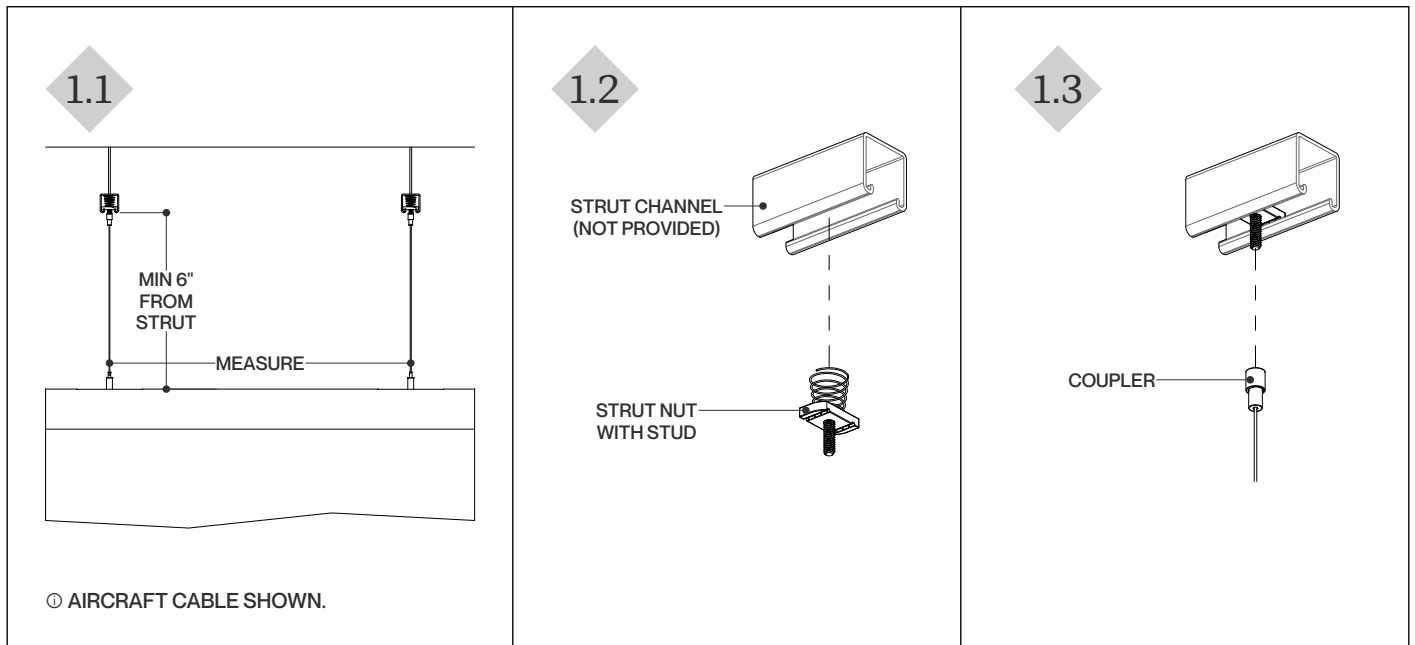
1A.1 Measure the distance between the suspension points, then mark this measurement to the surface.

1A.2 Install the 1/4"-20 anchors (not provided) onto the marks of the surface.

1A.3 Secure the coupler (with or without canopy) to the anchor followed by tightening.

STEP 1B

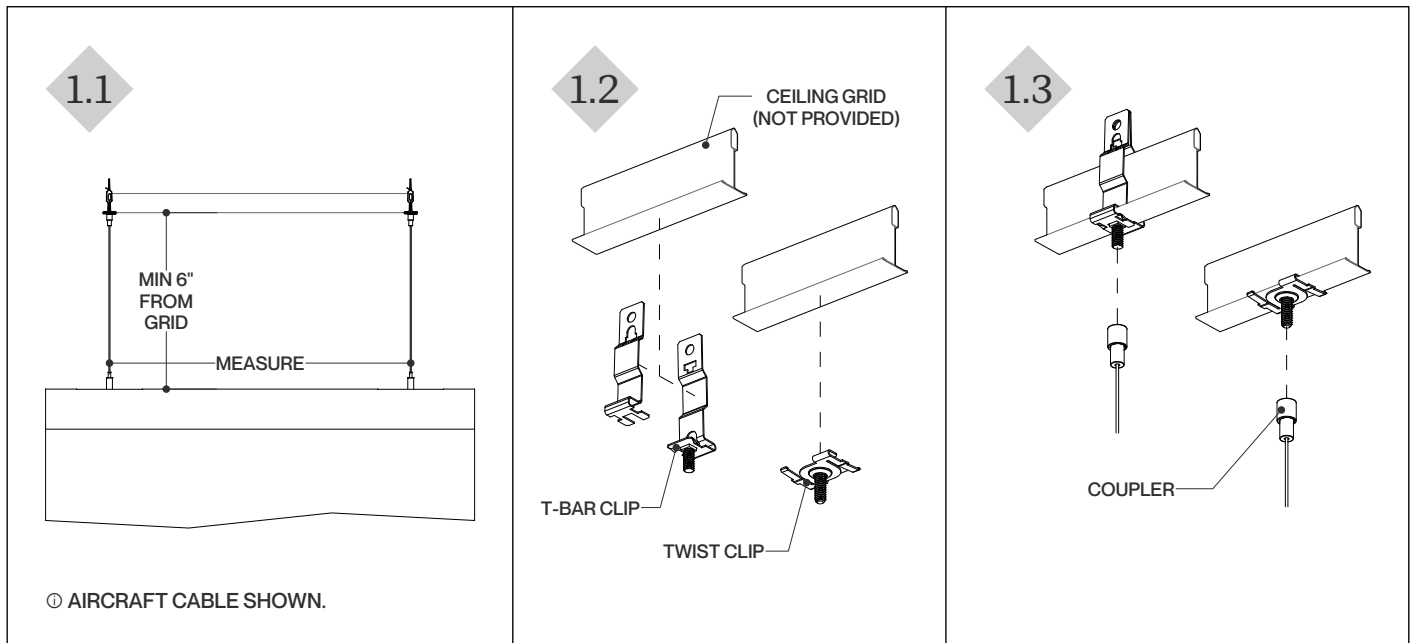
CEILING SIDE Strut (Suspended)



- 1B.1** Measure the distance between the suspension points, then transfer this measurement onto the strut channel (not provided).
- 1B.2** Twist and release the strut nut with stud into the channel (not provided).
- 1B.3** Secure the coupler to the strut nut with stud (with or without canopy) followed by tightening.

STEP 1C

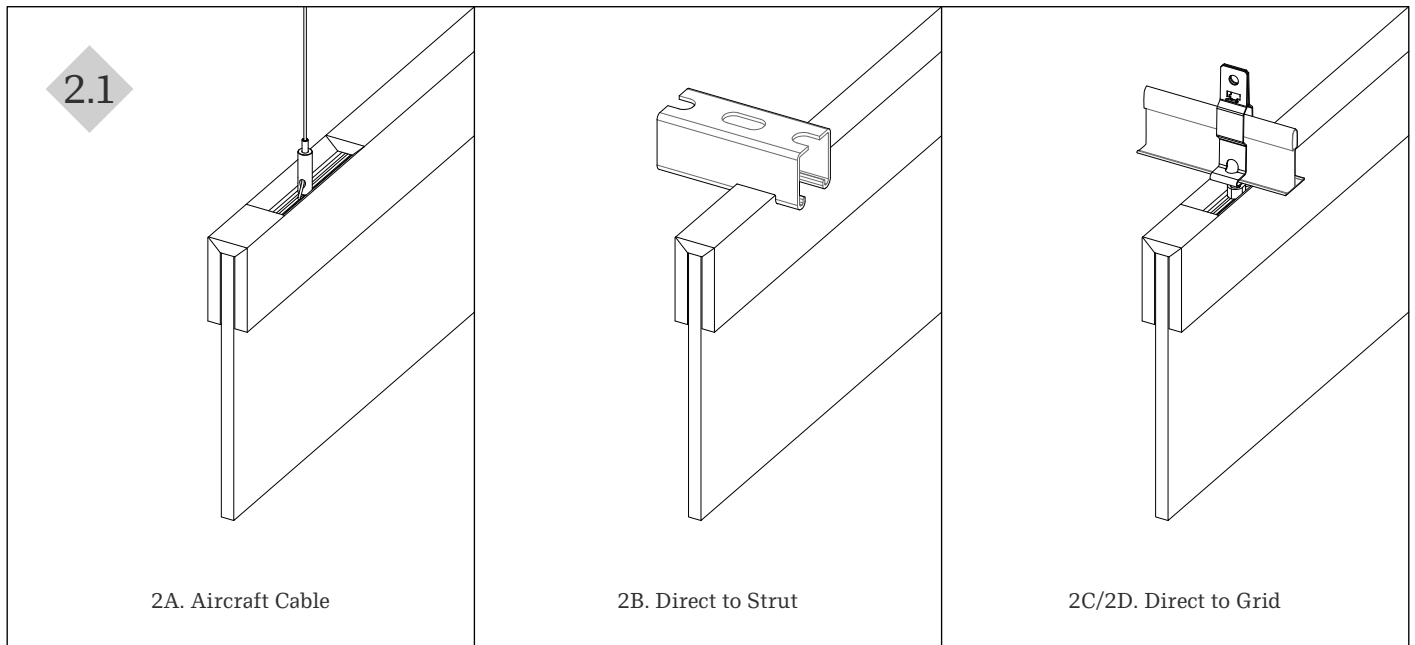
CEILING SIDE Grid (Suspended)



- 1C.1** Measure the distance between the suspension points, then transfer this measurement onto the ceiling grid (not provided). Note: Clip selection (T-bar clip or twist clip) is determined by both the product's weight and the ceiling grid specifications.
- 1C.2** Slide the main section of the T-bar clip onto the ceiling grid (not provided). Insert the secondary section and snap it into place to secure both parts. Alternatively, align the twist clip with the ceiling grid and rotate until it locks firmly in place.
- 1C.3** Secure the coupler (with or without canopy) to the T-bar clip or twist clip followed by tightening.

STEP 2

FIXTURE SIDE



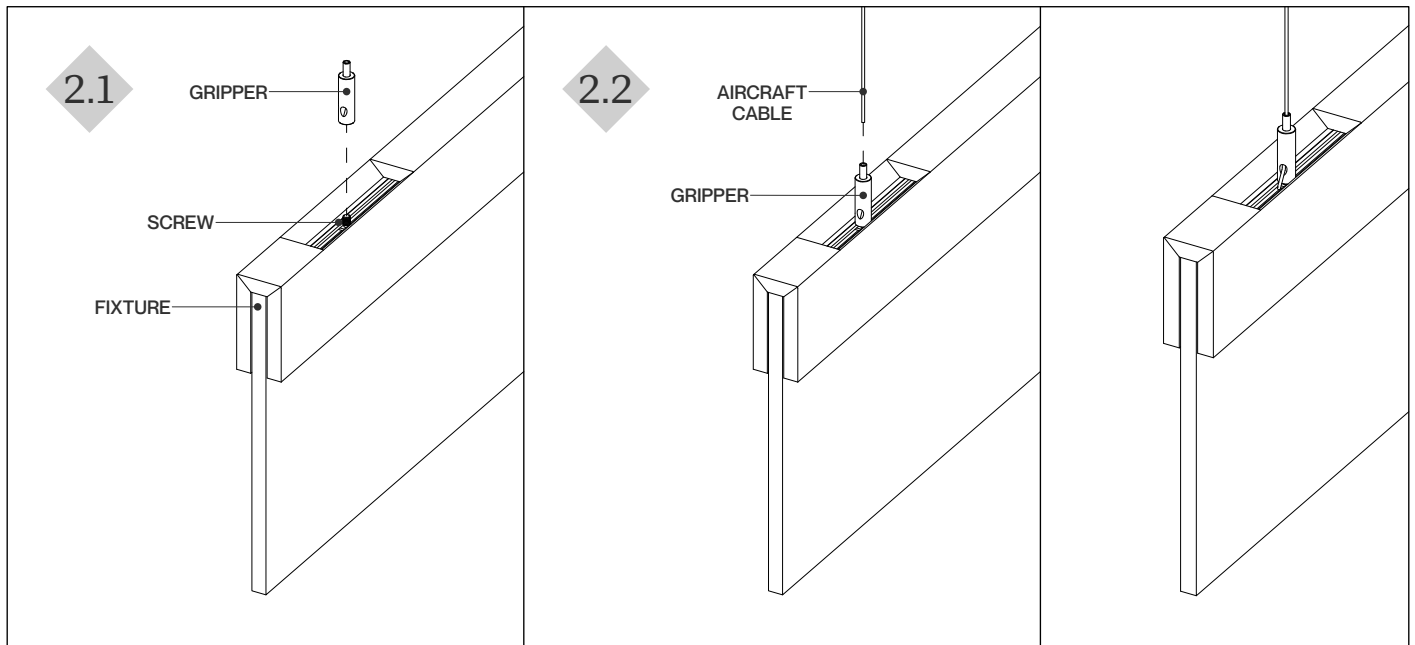
2.1

To properly install the fixture reference 2A-2D to complete the installation depending on the suspension type.

STEP 2A

FIXTURE SIDE

Aircraft Cable



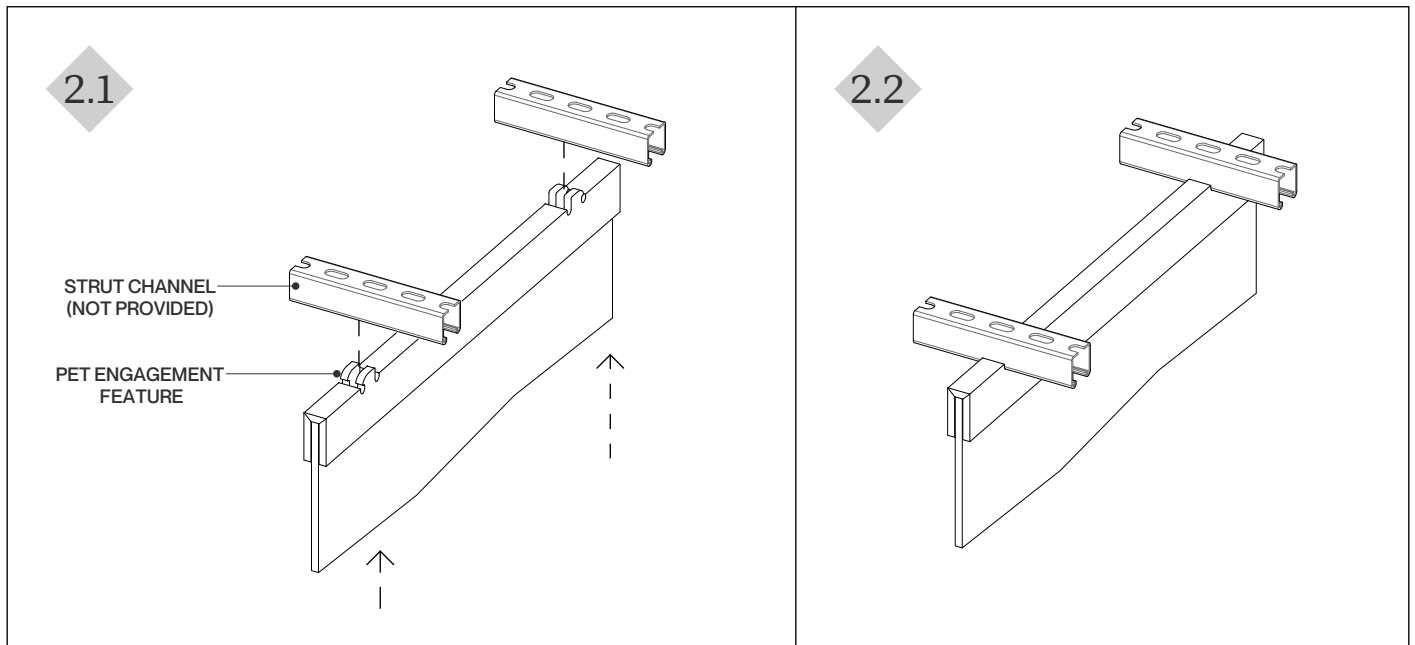
2A.1 From the top of the fixture, insert each gripper into the pre-installed screw and secure it in place.

2A.2 Insert each aircraft cable into the gripper until the desired height is achieved.

STEP 2B

FIXTURE SIDE

Direct to Strut



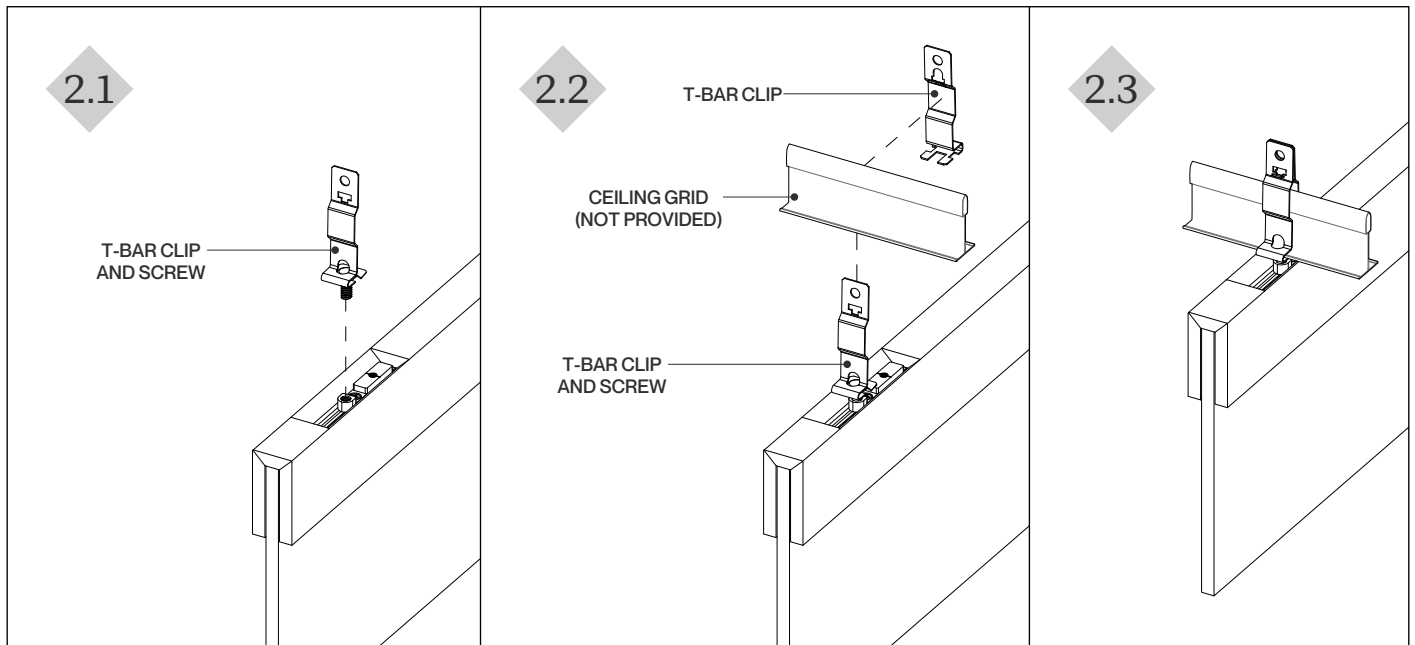
2B.1 Align the PET engagement features with the designated points on the strut, ensuring a secure fit. Apply firm pressure until the connection is fully engaged.

2B.2 After installation, verify stability and proper alignment.

STEP 2C

FIXTURE SIDE

Direct to Grid (T-Bar Clip)



2C.1 Attach the main part of the T-bar clip to the bracket using the screw. Thread the screw into the bracket carefully. Do not overtighten.

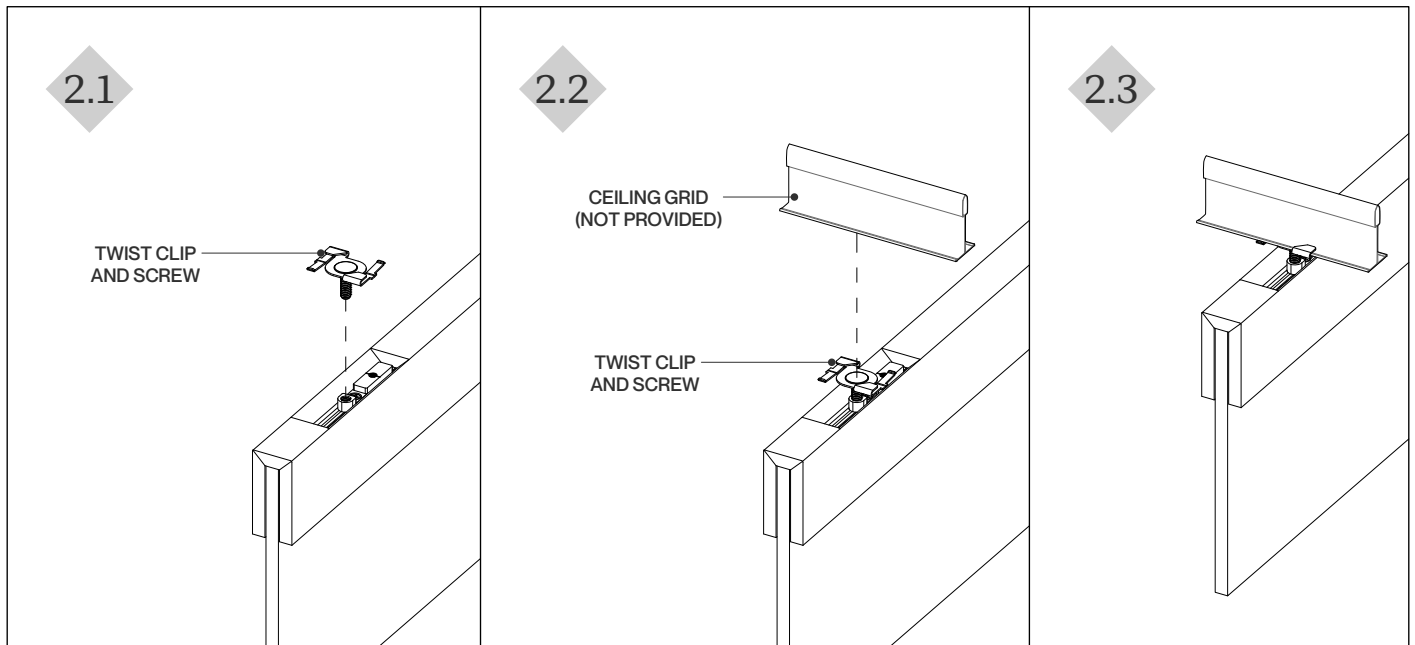
2C.2 Raise the bracket and T-bar clip assembly up through the ceiling grid (not provided). Then, insert the second part of the clip onto the grid and snap it in place to secure both sections.

2C.3 Check for proper alignment and ensure the connection is stable.

STEP 2D

FIXTURE SIDE

Direct to Grid (Twist Clip)



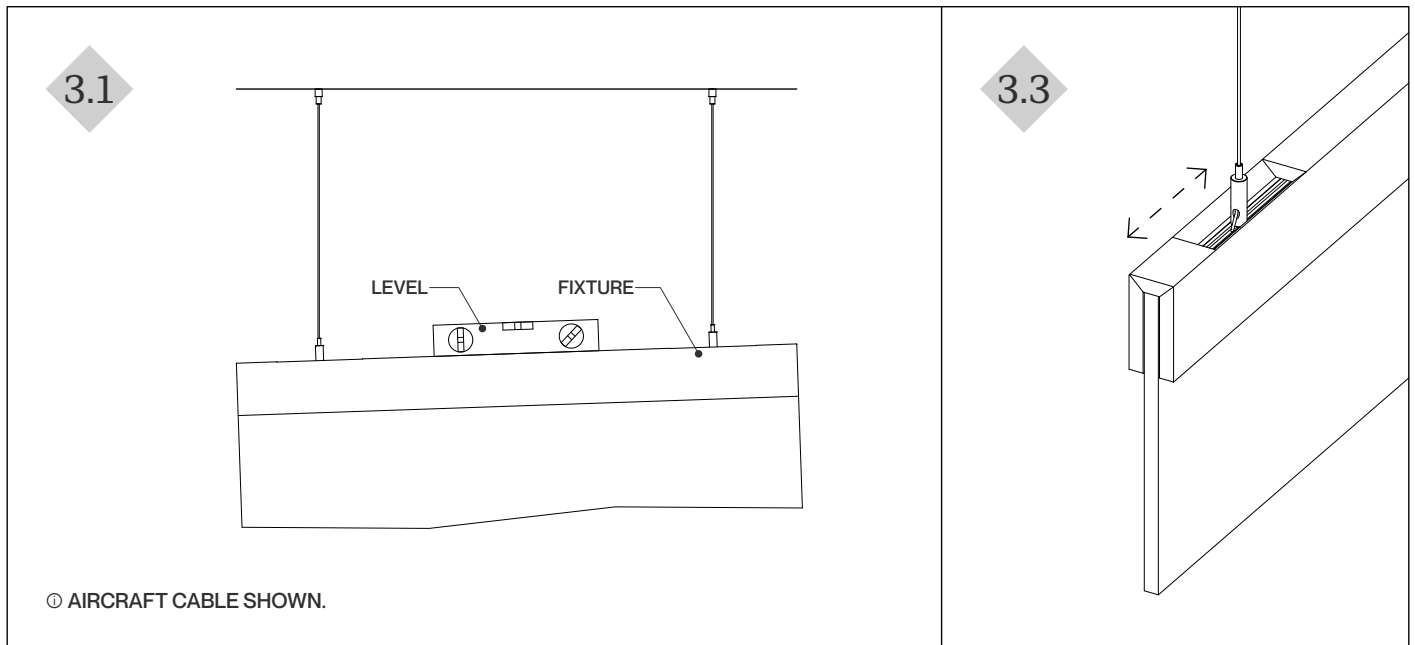
2D.1 Attach the twist clip to the bracket using the screw. Thread the screw into the bracket carefully. Do not overtighten.

2D.2 Raise the bracket and twist clip assembly up through the ceiling grid (not provided). Then, twist it on counterclockwise until you hear a click.

2D.3 Check for proper alignment and ensure the connection is stable.

STEP 3

FINAL STEPS



- 3.1** Level fixture.
- 3.2** If necessary cut the excess aircraft cable off.
- 3.3** Hang points can be adjusted by rotating the grippers or screws counterclockwise, sliding along the rail to the new position, then retightening to secure.
- 3.4** Untie and remove product identification tags after installation.

SABIN