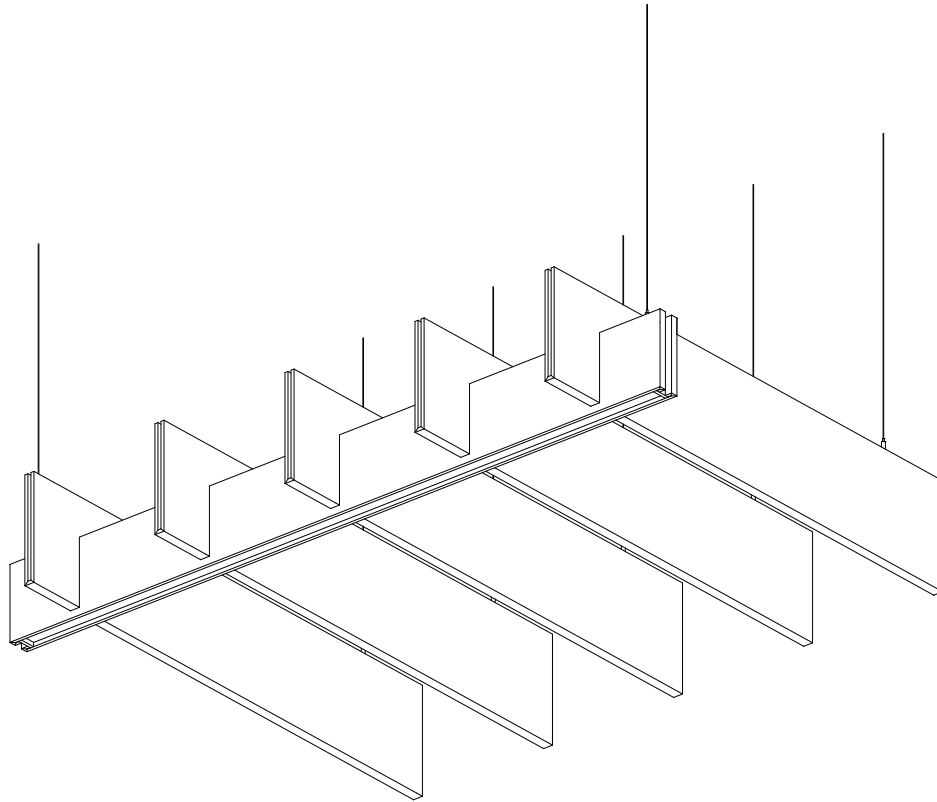


**SABIN**



# INSTALLATION GUIDE

**LINEAR RAFT**

# INSTALLING LINEAR RAFT

**THIS IS A GUIDE TO ASSIST WITH YOUR  
SABIN PRODUCT INSTALLATION.**

The following pages explain best practices for a successful installation. Please note these are not comprehensive to every installation environment. Please contact our factory for specific questions.

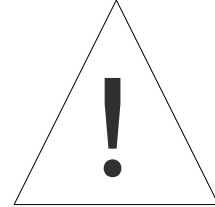
# GUIDELINES

STORAGE AND HANDLING  
CONFIGURATIONS  
HARDWARE OVERVIEW

## STEPS

- 1 CEILING SIDE**
  - 1A Hard Ceiling
  - 1B Strut (Suspended)
  - 1C Grid (Suspended)
- 2 FIXTURE SIDE**
  - 2A Aircraft Cable
  - 2B Strap
  - 2C Threaded Rod
- 3 LAYOUT ASSEMBLY**
- 4 FINAL STEPS**
- 5 DRIVER SERVICE**

# READ PRIOR TO STARTING YOUR INSTALLATION



This product is suitable for indoor dry location only.

Do not switch line voltage until all the wiring is complete.

These products may represent a potential shock or fire hazard if improperly installed.

Products should be installed in accordance with local and National Electric Code (NEC).

This product should only be installed by a licensed Electrician.

Allow air to flow freely around the fixture.

Do not install the Fixture closer than 6.0” to combustible material.

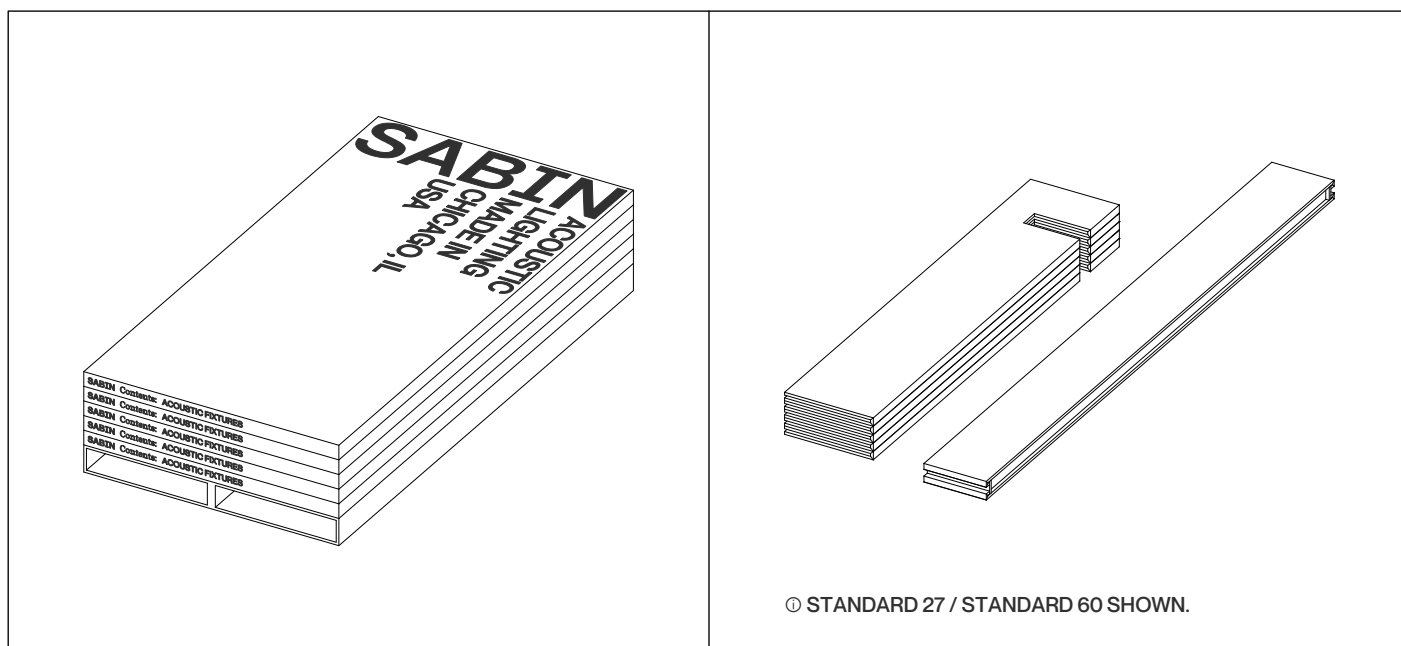
Do not use if there is any damage to the unit or to the wiring/insulation. Inspect periodically.

Confirm the proper gauge wires are used between Power Supplies, Controls & Fixture to avoid voltage drop.

Installer is responsible for reinforcing the ceiling to properly support the fixture weight.

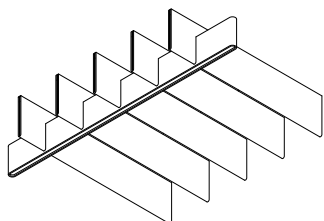
Sabin LLC, accepts no responsibility for inadequately reinforced ceilings.

# STORAGE AND HANDLING

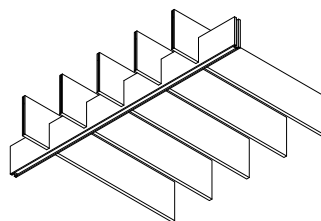


- 1 Store the products in their original packaging until installation.
- 2 Keep products in a dry, climate-controlled indoor space and elevate products off the floor to prevent material degradation. Do not stack heavy objects on top of stored products.
- 3 Open packaging in a dust-free area, using caution with sharp tools to avoid damaging the contents. Wear clean, white gloves when handling components to prevent stains or surface damage.
- 4 Avoid direct contact with light engines to prevent damage.

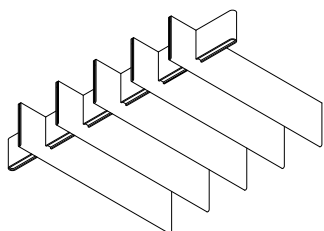
# CONFIGURATIONS



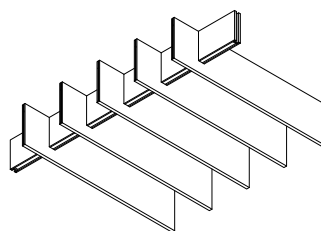
LAUTNA 27 / STADIA 60  
Direct Single



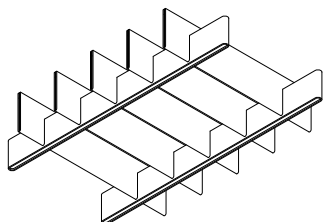
STANDARD 27 / STANDARD 60  
Direct Single



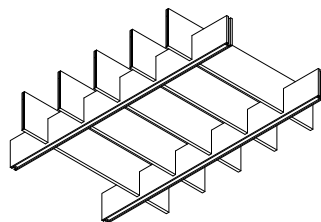
LAUTNA 27 / STADIA 60  
Indirect Single



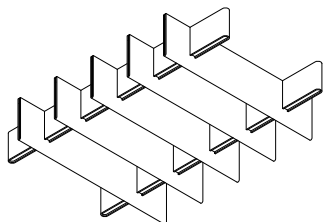
STANDARD 27 / STANDARD 60  
Indirect Single



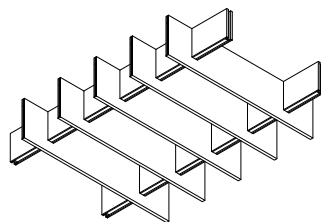
LAUTNA 27 / STADIA 60  
Direct Double



STANDARD 27 / STANDARD 60  
Direct Double



LAUTNA 27 / STADIA 60  
Indirect Double

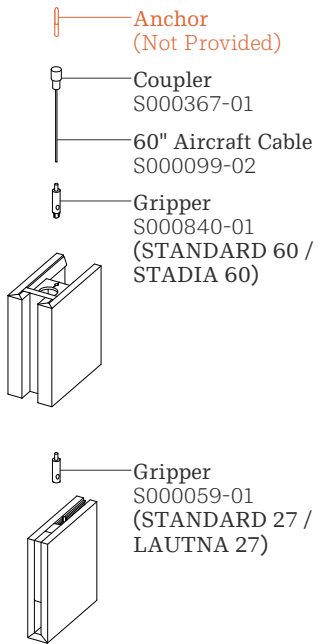


STANDARD 27 / STANDARD 60  
Indirect Double

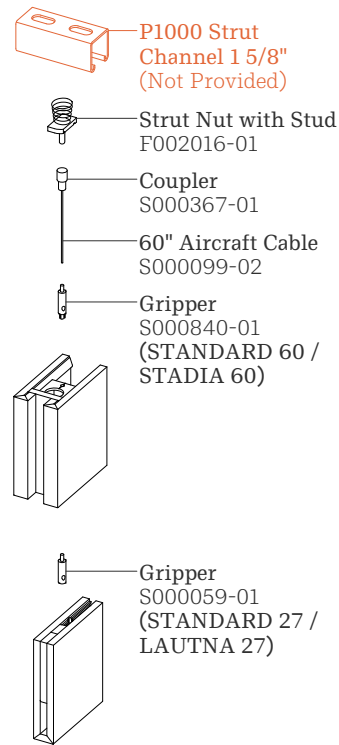
# GUIDELINES

# HARDWARE OVERVIEW

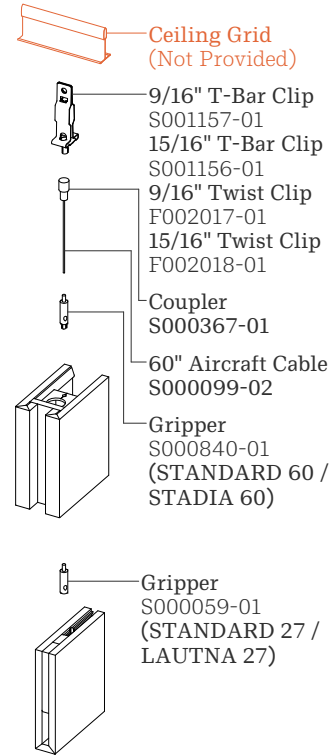
## AIRCRAFT CABLE + HARD CEILING



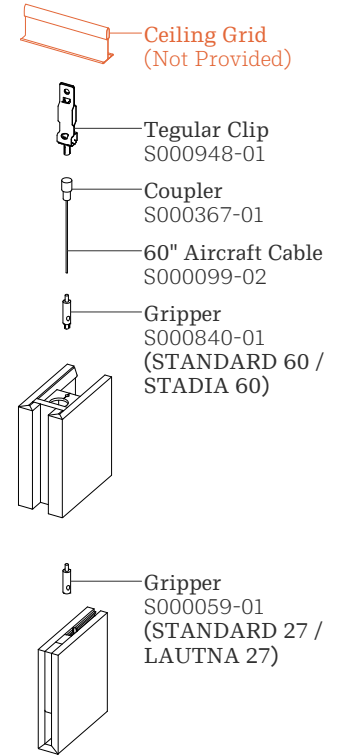
## AIRCRAFT CABLE + STRUT



## AIRCRAFT CABLE + STANDARD GRID



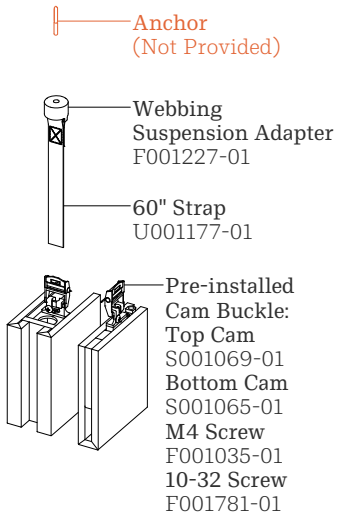
## AIRCRAFT CABLE + TEGULAR GRID



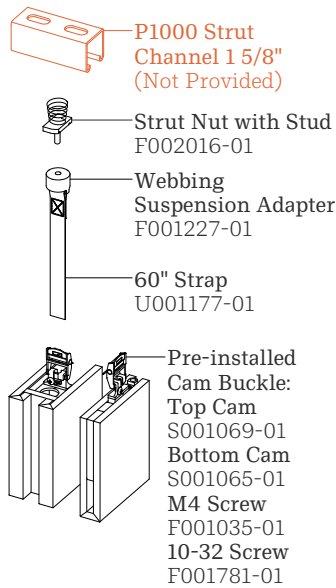
# GUIDELINES

# HARDWARE OVERVIEW

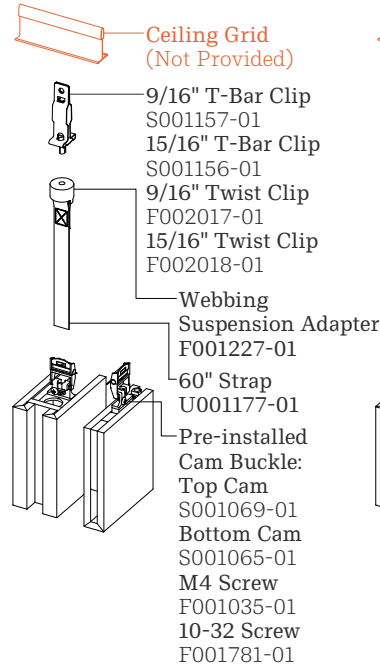
## STRAP + HARD CEILING



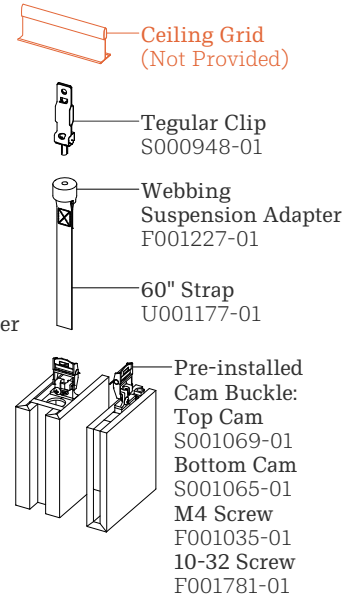
## STRAP + STRUT



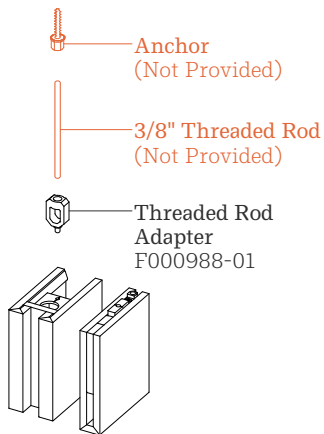
## STRAP + STANDARD GRID



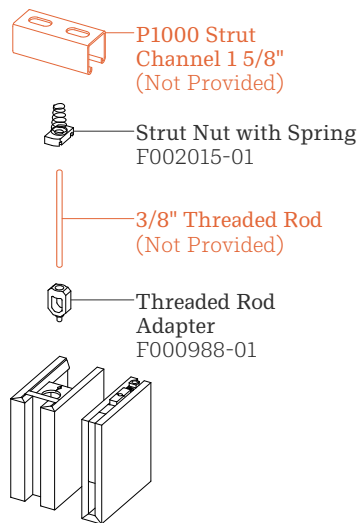
## STRAP + TEGULAR GRID



## THREADED ROD + HARD CEILING

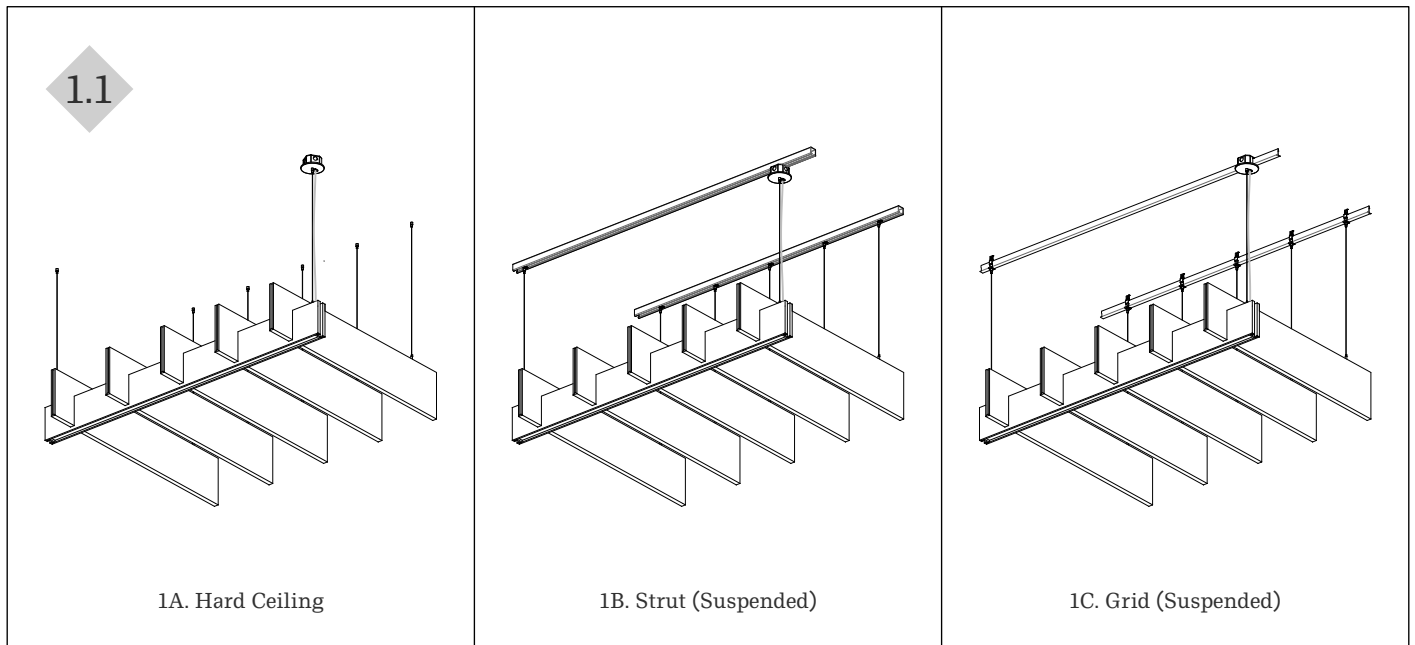


## THREADED ROD + STRUT



## STEP 1

# CEILING SIDE



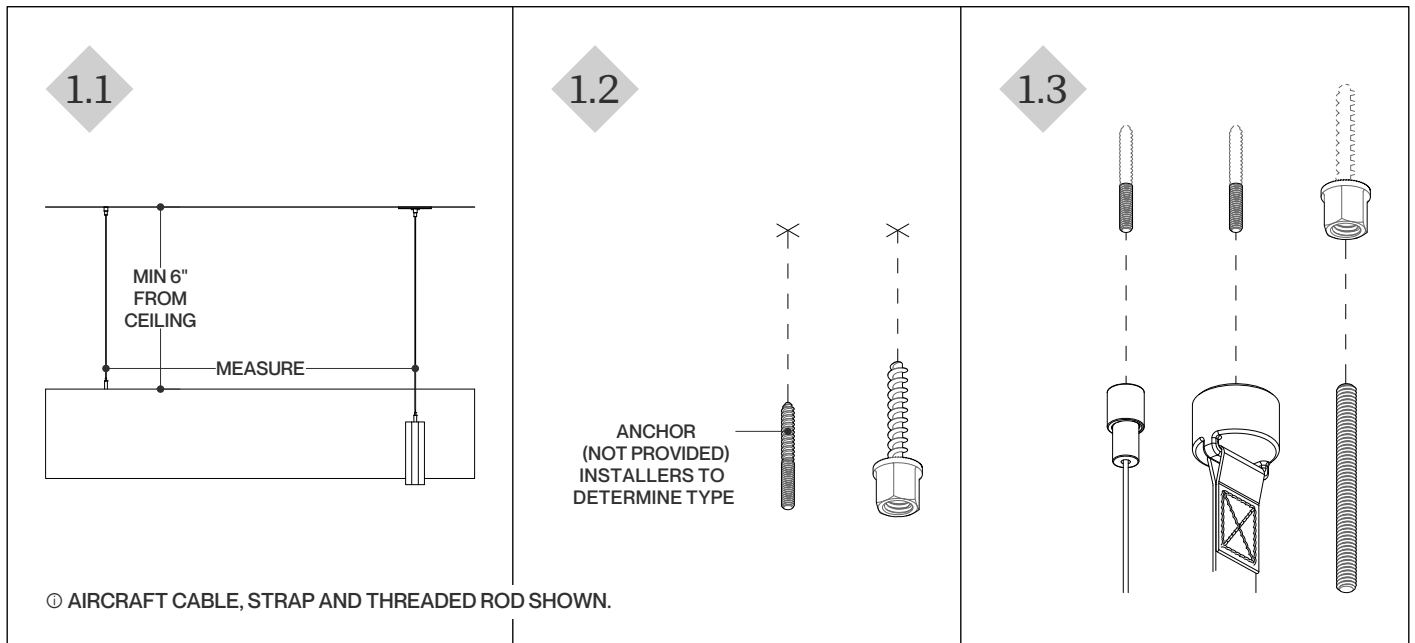
## 1.1

To properly install the fixture reference 1A-1C to complete the installation depending on the ceiling type.

## STEP 1A

# CEILING SIDE

## Hard Ceiling



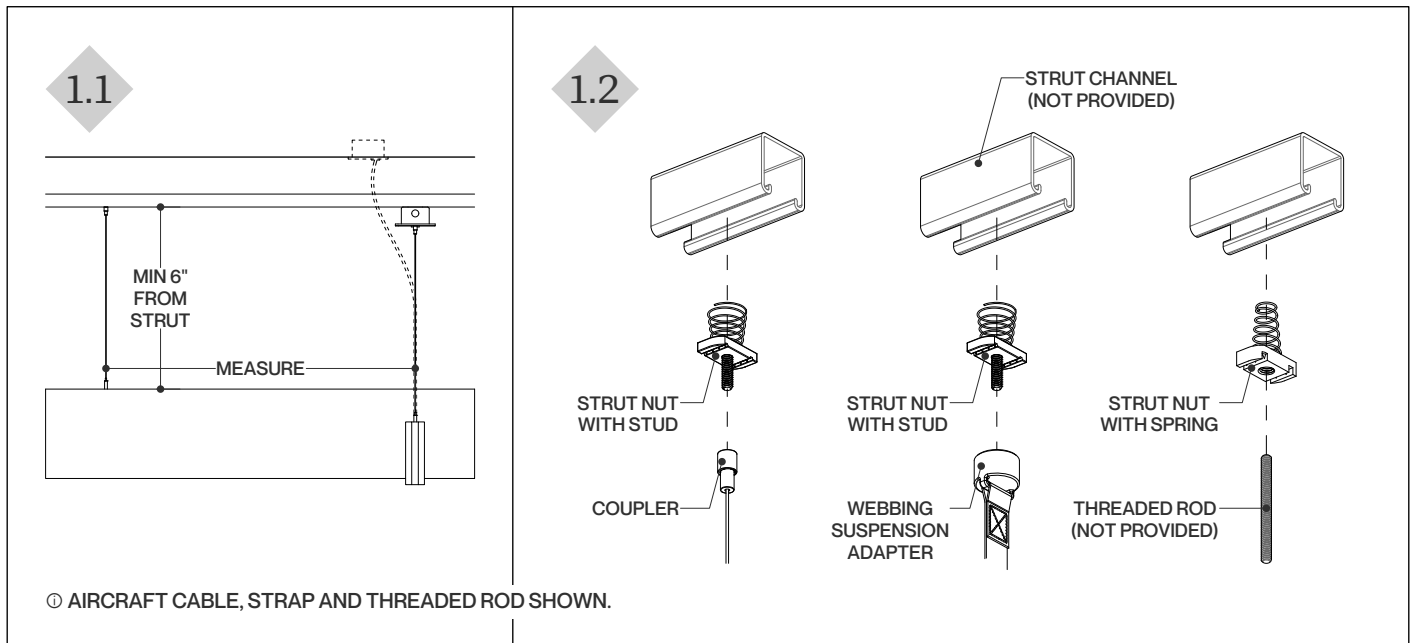
**1A.1** Measure the distance between the suspension points, then mark this measurement to the surface.

**1A.2** Install the 1/4"-20 anchors (not provided) onto the marks of the surface.

**1A.3** Secure the coupler, the webbing suspension adapter or the threaded rod (with or without canopy) to the anchor followed by tightening.

## STEP 1B

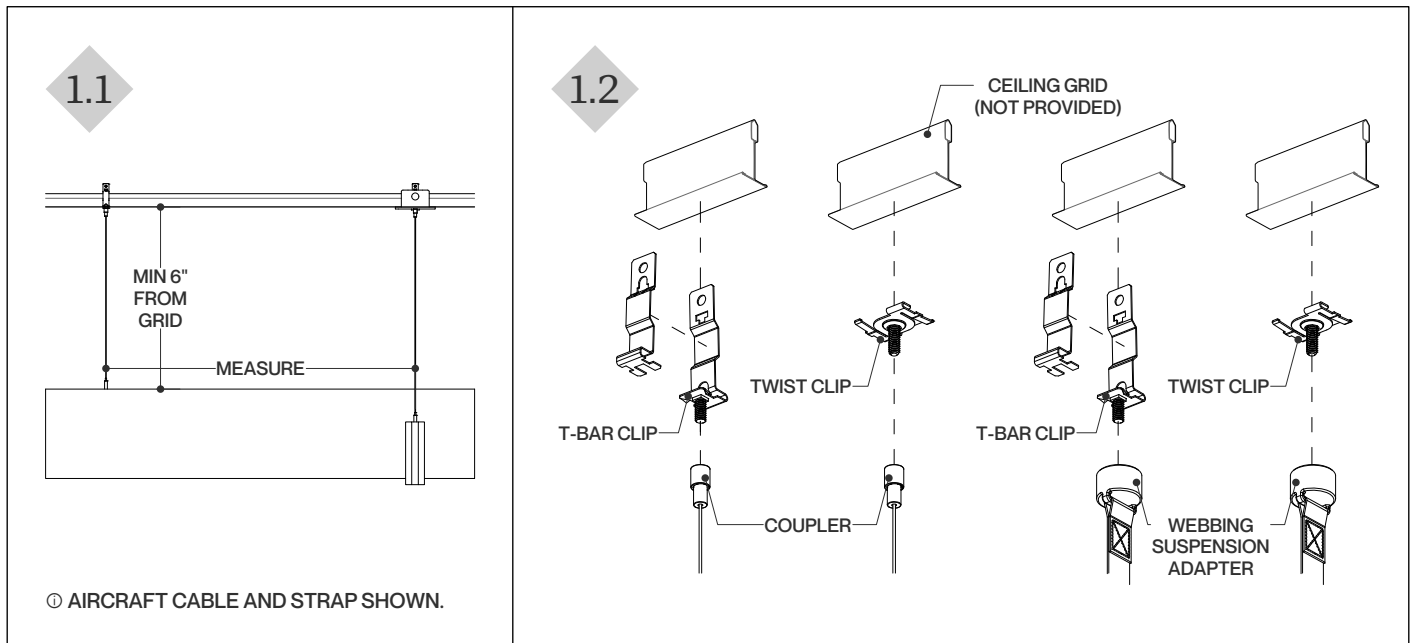
# CEILING SIDE Strut (Suspended)



- 1B.1** Measure the distance between the suspension points, then transfer this measurement onto the strut channel (not provided).
- 1B.2** Twist and release the strut nut with stud or the strut nut with spring into the channel (not provided).
- 1B.3** Secure the coupler or the webbing suspension adapter to the strut nut with stud, or the threaded rod to the strut nut with spring (with or without canopy) followed by tightening.

## STEP 1C

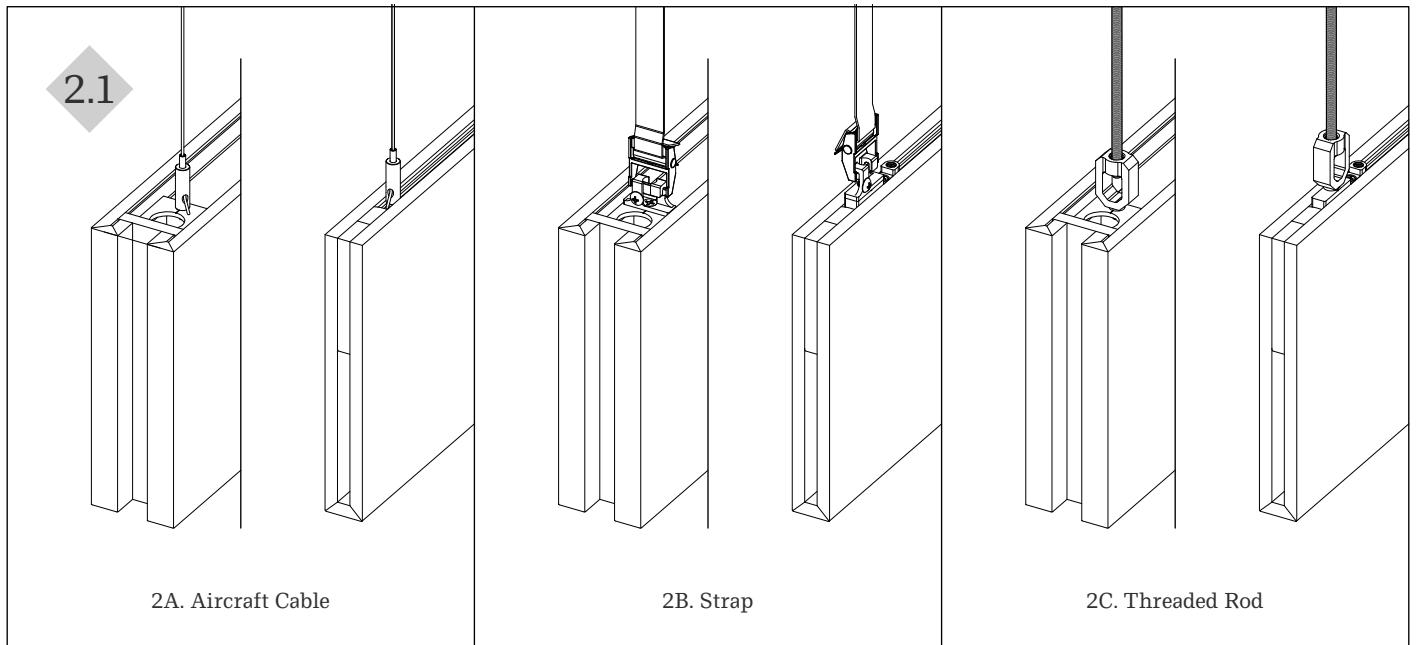
# CEILING SIDE Grid (Suspended)



- 1C.1** Measure the distance between the suspension points, then transfer this measurement onto the ceiling grid (not provided). Note: Clip selection (T-bar clip or twist clip) is determined by both the product's weight and the ceiling grid specifications.
- 1C.2** Slide the main section of the T-bar clip onto the ceiling grid (not provided). Insert the secondary section and snap it into place to secure both parts. Alternatively, align the twist clip with the ceiling grid and rotate until it locks firmly in place.
- 1C.3** Secure the coupler (with or without canopy) to the T-bar clip or twist clip followed by tightening.

## STEP 2

# FIXTURE SIDE



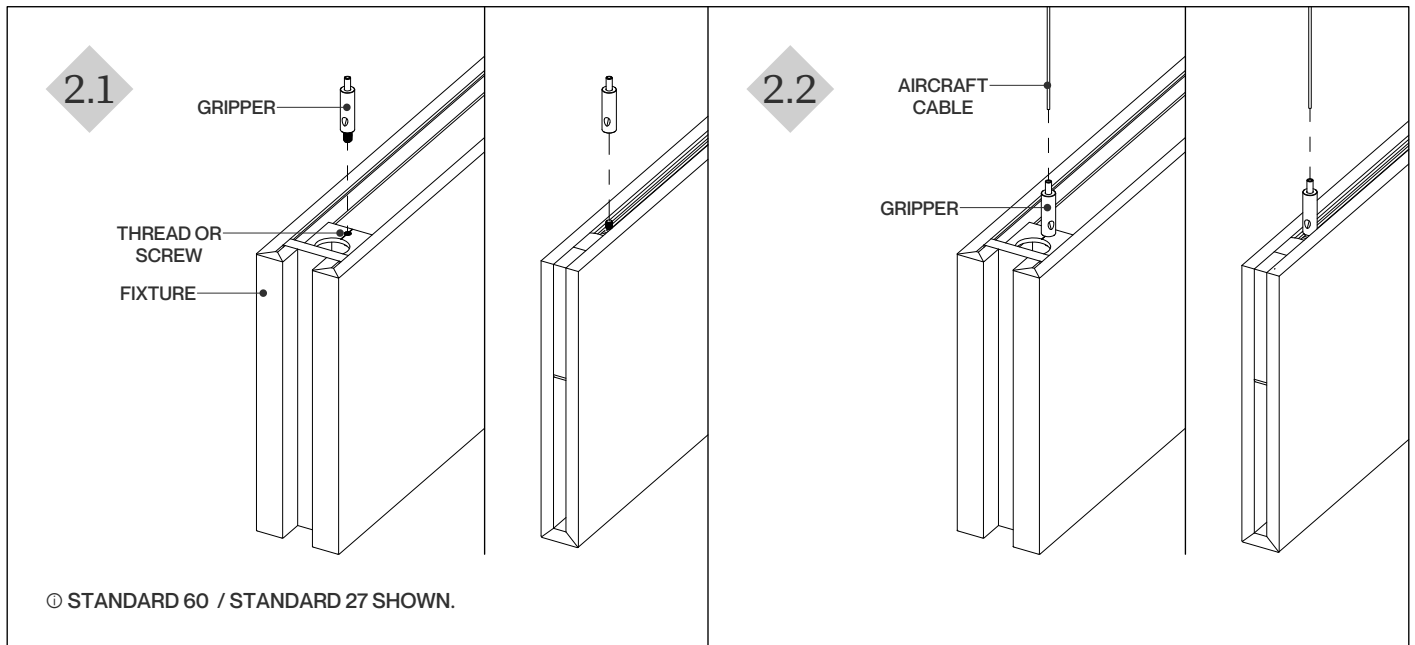
## 2.1

To properly install the fixture reference 24-2C to complete the installation depending on the suspension type.

## STEP 2A

# FIXTURE SIDE

## Aircraft Cable

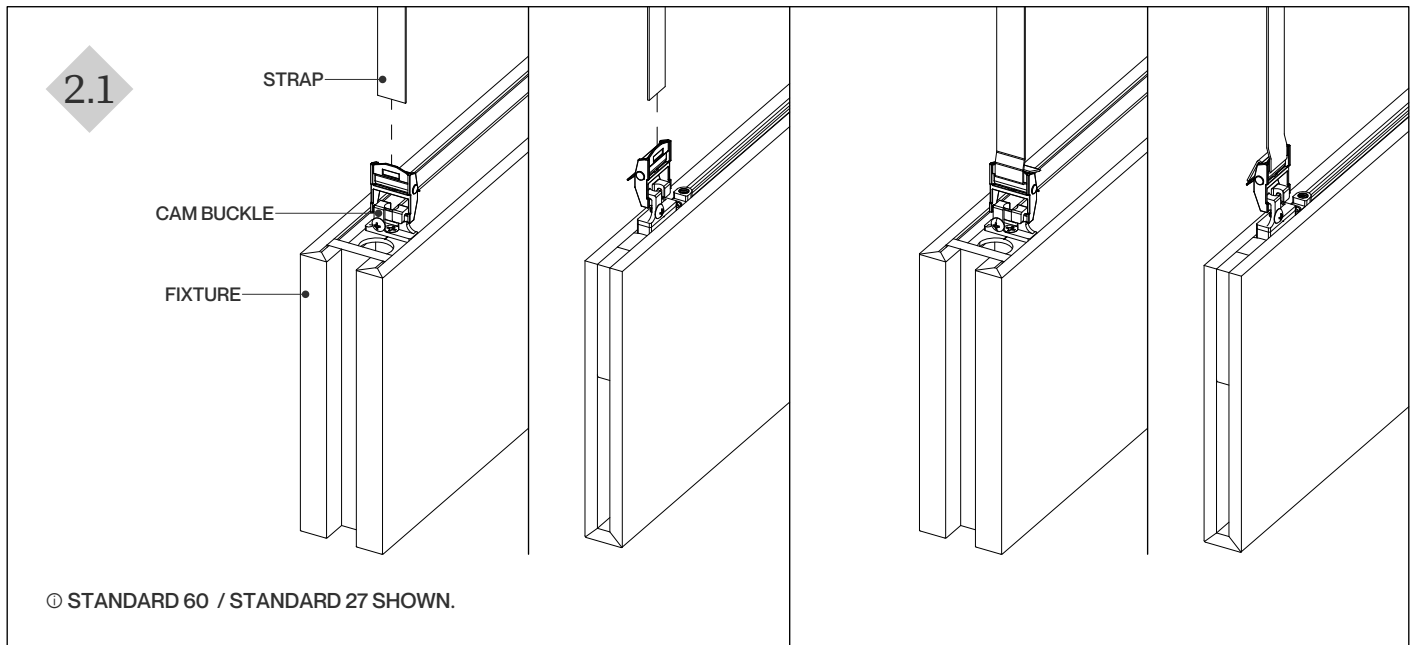


**2A.1** From the top of the fixture, insert each gripper into the pre-installed screw or thread and secure it in place.

**2A.2** Insert each aircraft cable into the gripper until the desired height is achieved.

## STEP 2B

# FIXTURE SIDE Strap



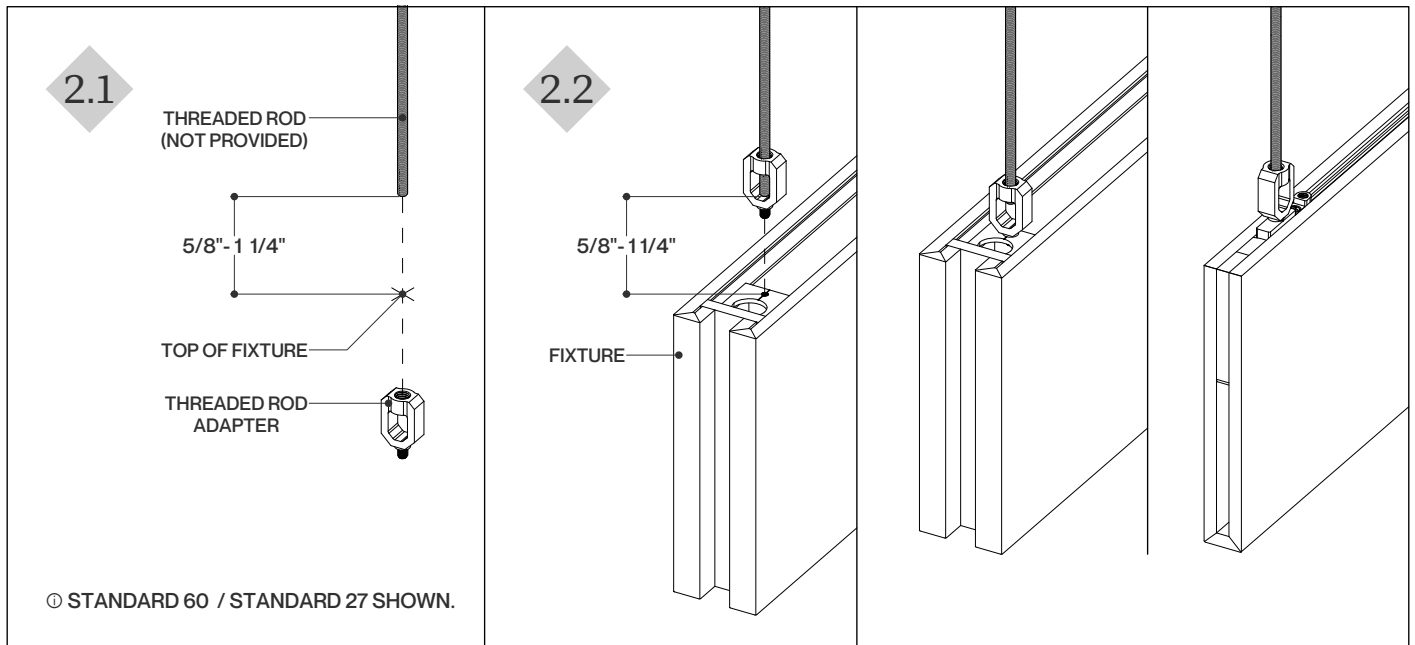
### 2B.1

From the top of the fixture, insert each strap into the cam buckle until the desired height is achieved.

## STEP 2C

# FIXTURE SIDE

## Threaded Rod

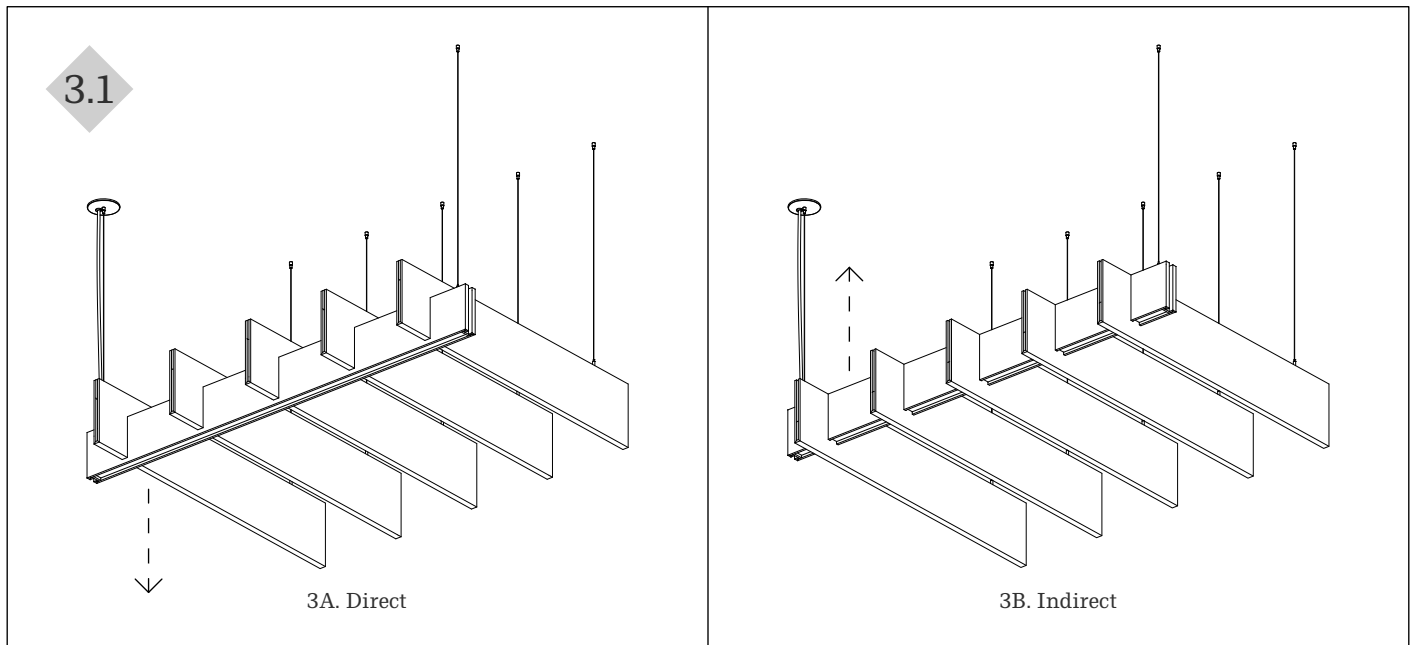


**2C.1** Install 3/8" threaded rod (not provided) to above structure. The bottom end of the threaded rod should be between 5/8" - 1 1/4" above the top of the fixture. Thread the threaded rod adapter on to the threaded rod to the maximum depth possible.

**2C.2** Lift fixture until the 10-32 standoff and the threaded rod adapter meet. Proceed to unthread adapter from threaded rod (not provided). As you do, the adapter will engage with the 10-32 standoff. Continue until adapter is flush against the fixture.

## STEP 3

# LAYOUT ASSEMBLY



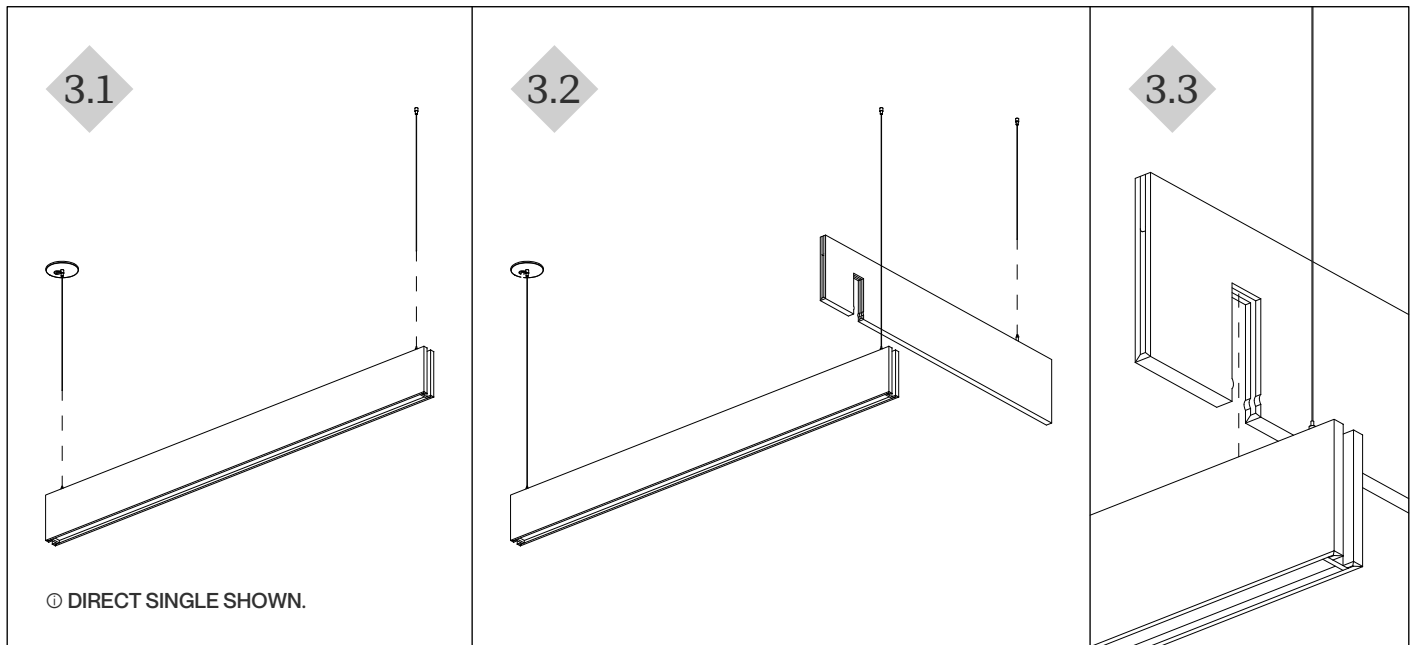
## 3.1

To properly install the fixture reference 3A or 3B to complete the installation depending on the layout type.

## STEP 3A

# LAYOUT ASSEMBLY

## Direct



**3A.1** Install the STANDARD 60 / STADIA 60 fixtures using two suspension points.

**3A.2** For single layout, install the suspension point for STANDARD 27 / LAUTNA 27.

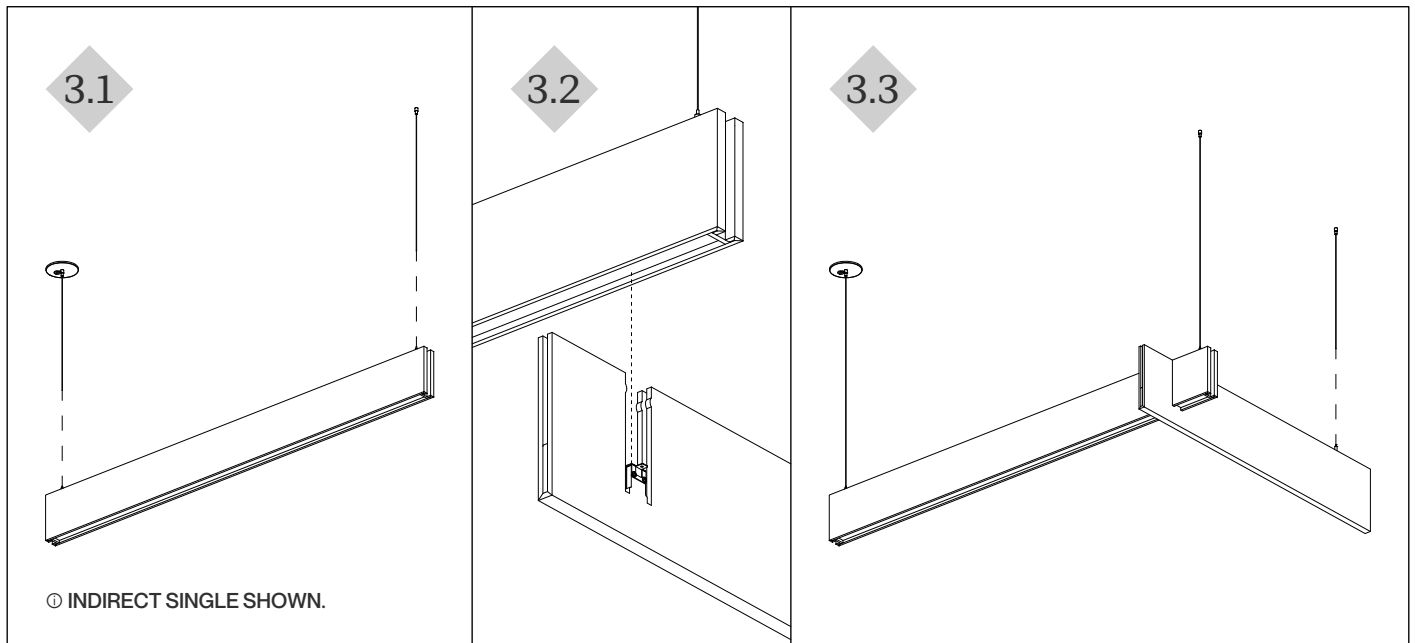
**3A.3** From above, slide the STANDARD 27 / LAUTNA 27 fixtures into position. These fixtures have slots with “spider bites” that hold them in place by friction. They should rest securely on top.

**3A.4** Install the remaining baffles. Verify alignment and fixture spacing.

## STEP 3B

# LAYOUT ASSEMBLY

## Indirect



**3B.1** Install the STANDARD 60 / STADIA 60 fixtures using two suspension points.

**3B.2** From underneath, push the STANDARD 27 / LAUTNA 27 upward while holding the top of the STANDARD 60 / STADIA 60 until the baffle is fully seated. Friction and the "spider bites" will keep it in place. For single layout, support the free end during assembly.

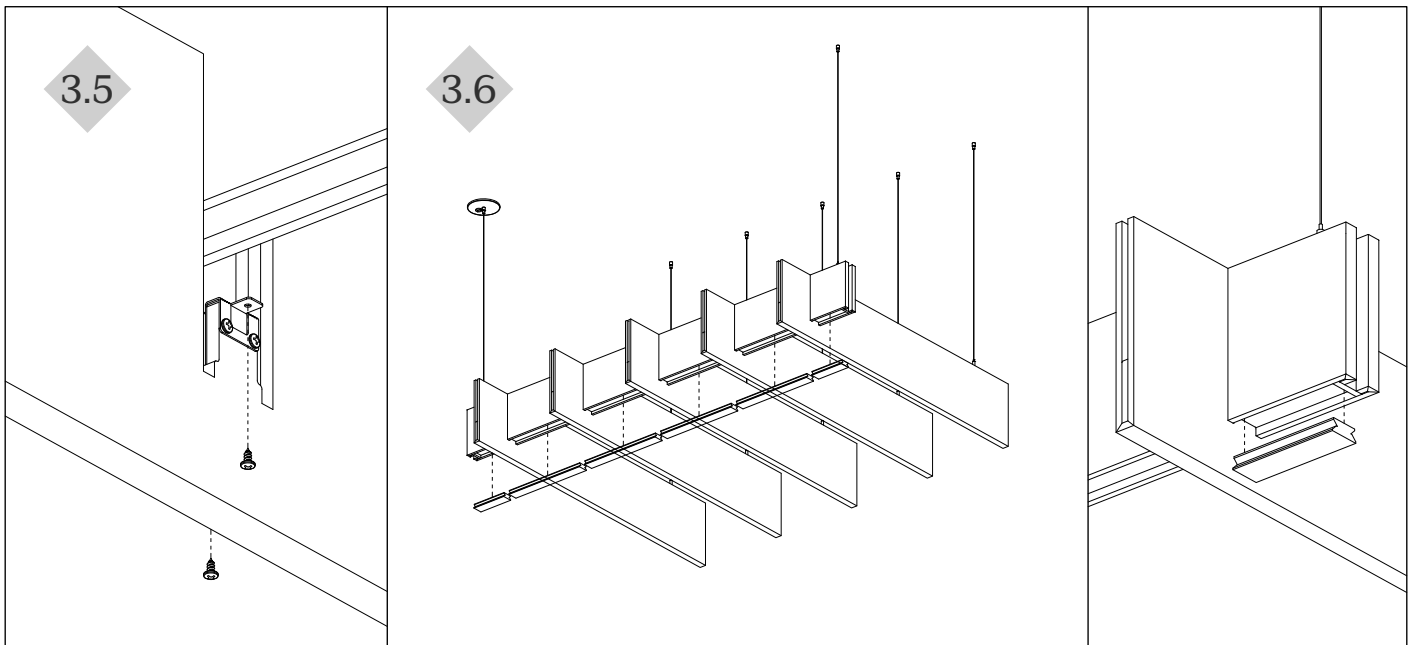
**3B.3** For single layout, install the suspension point for STANDARD 27 / LAUTNA 27.

**3B.4** Install the remaining baffles and check fixture spacing.

## STEP 3B

# LAYOUT ASSEMBLY

## Indirect (Cont.)



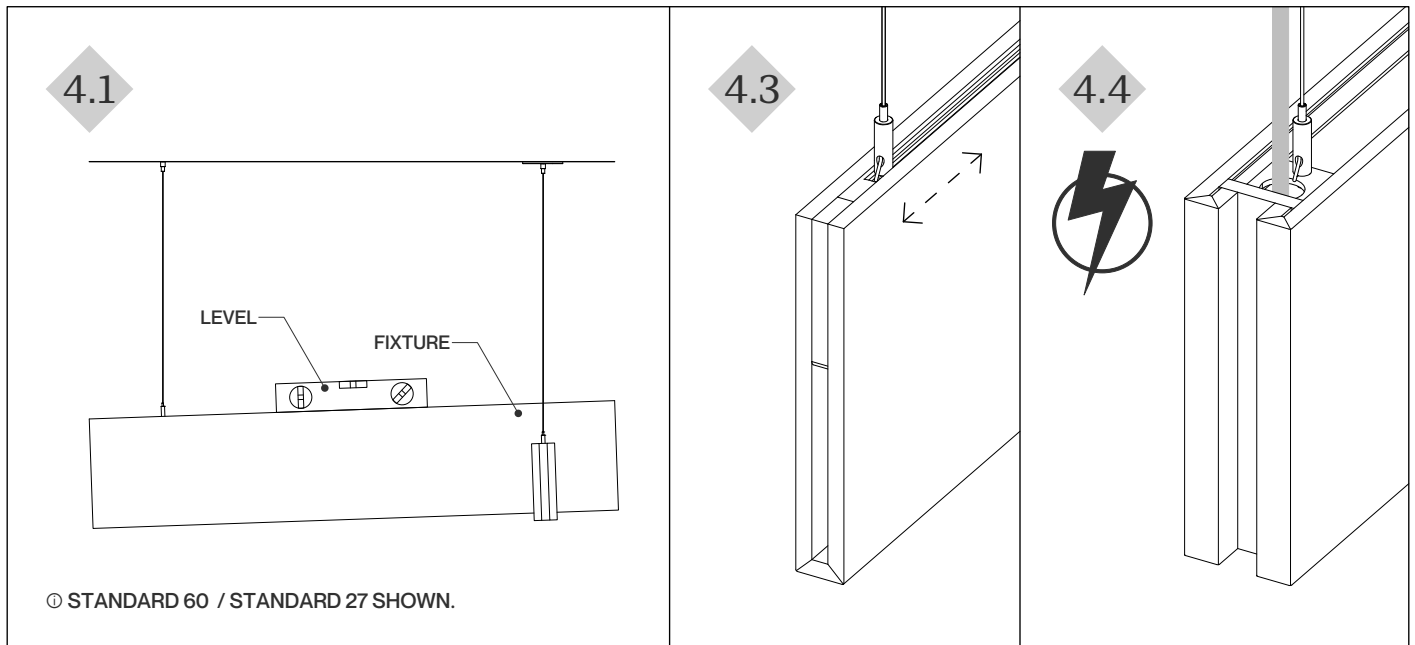
**3B.5** Secure each STANDARD 27 / LAUTNA 27 to the STANDARD 60 / STADIA 60 with two screws.

**3B.6** Install the felt bottom ends by pushing them upward until fully seated.

**3B.7** Verify alignment.

## STEP 4

# FINAL STEPS



4.1

Level fixture.

4.2

If necessary cut the excess aircraft cable off or trim the excess strap, leaving at least 25mm past cam.

4.3

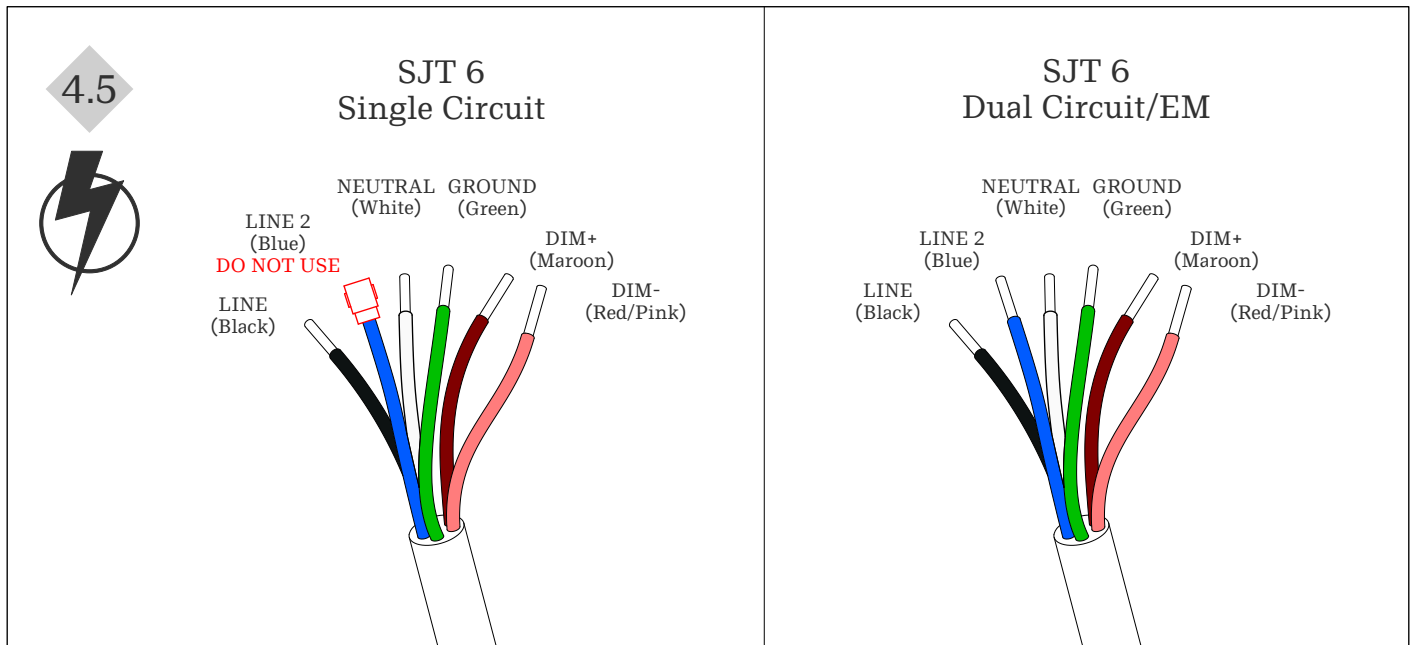
Hang points on STANDARD 27 / STADIA 27 can be adjusted by rotating the grippers or screws counterclockwise, sliding along the rail to the new position, then retightening to secure.

4.4

If the fixture includes lighting, ensure all wiring connections are made in accordance with local and national electrical codes. Note: Each cord should include an identification card. If the card is missing, refer to the wire color diagram on the following page.

## STEP 4

# FINAL STEPS (CONT.)

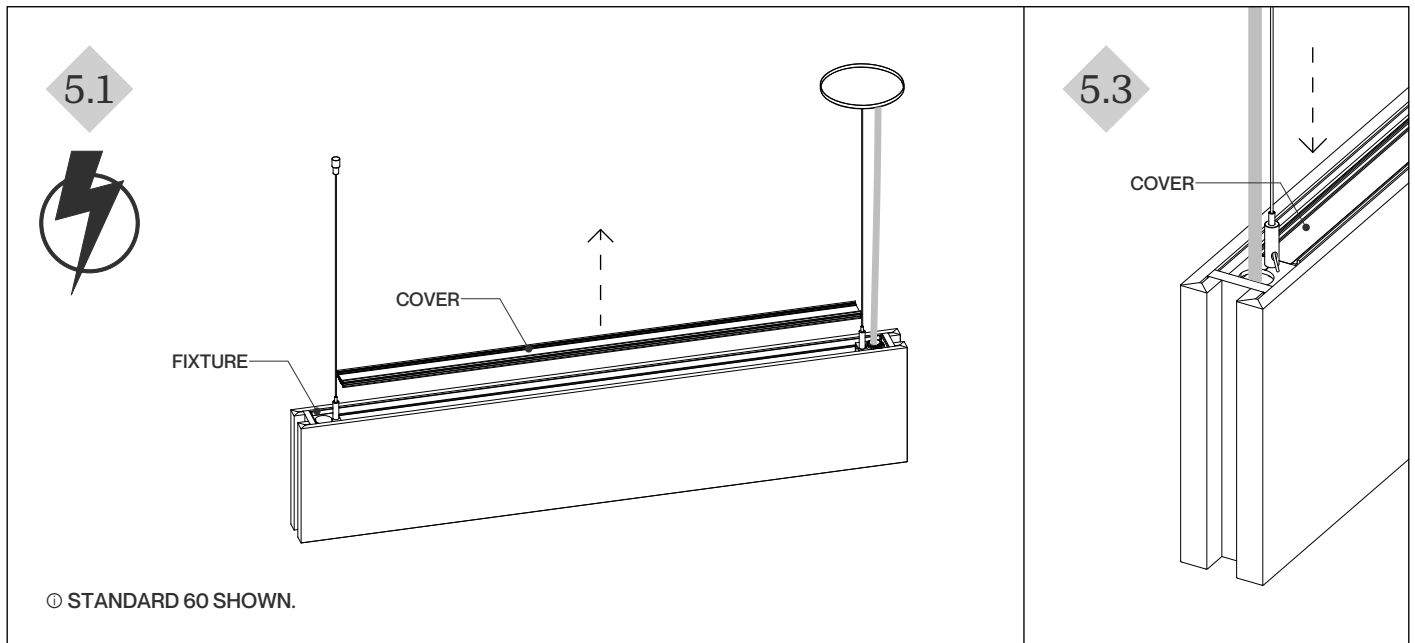


### 4.5

For SINGLE CIRCUIT fixtures, the blue wire is terminated with a red cap and should not be connected. For DUAL CIRCUIT/EM fixtures, the blue wire is active and must be connected as part of the circuit.

## STEP 5

# DRIVER SERVICE



- 5.1** Use a flathead screwdriver to remove the top cover, prying along the edge between the two aluminum faces.
- 5.2** Make the adjustments and/or replacement to the driver.
- 5.3** Align the cover to the top of fixture and secure by pressing along length to snap into place.

# SABIN