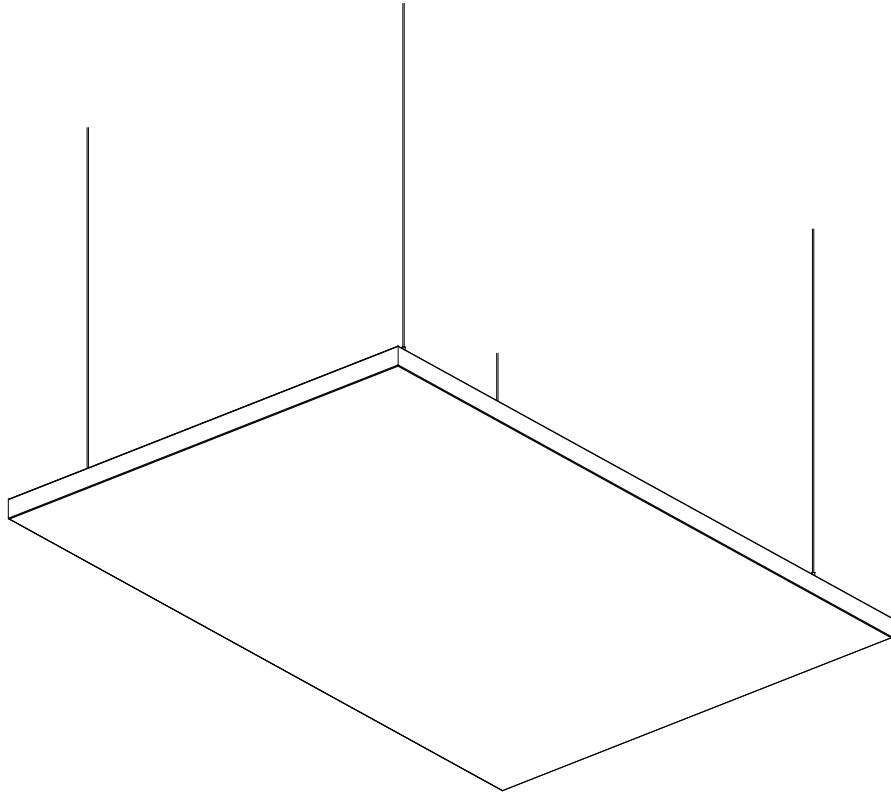


**SABIN**



# **INSTALLATION GUIDE**

**PLANE - SUSPENDED**

# INSTALLING PLANE - SUSPENDED

**THIS IS A GUIDE TO ASSIST WITH YOUR  
SABIN PRODUCT INSTALLATION.**

The following pages explain best practices for a successful installation. Please note these are not comprehensive to every installation environment. Please contact our factory for specific questions.

# GUIDELINES

STORAGE AND HANDLING  
HARDWARE OVERVIEW

## STEPS

### 1 CEILING SIDE

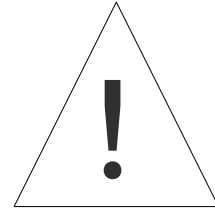
- 1A Hard Ceiling
- 1B Strut (Suspended)
- 1C Grid (Suspended)

### 2 FIXTURE SIDE

- 2A Aircraft Cable
- 2B Strap
- 2C Threaded Rod
- 2D Direct to Strut
- 2E Direct to Grid (T-Bar Clip)
- 2F Direct to Grid (Twist Clip)

### 3 FINAL STEPS

# READ PRIOR TO STARTING YOUR INSTALLATION



This product is suitable for indoor dry location only.

Do not switch line voltage until all the wiring is complete.

These products may represent a potential shock or fire hazard if improperly installed.

Products should be installed in accordance with local and National Electric Code (NEC).

This product should only be installed by a licensed Electrician.

Allow air to flow freely around the fixture.

Do not install the Fixture closer than 6.0" to combustible material.

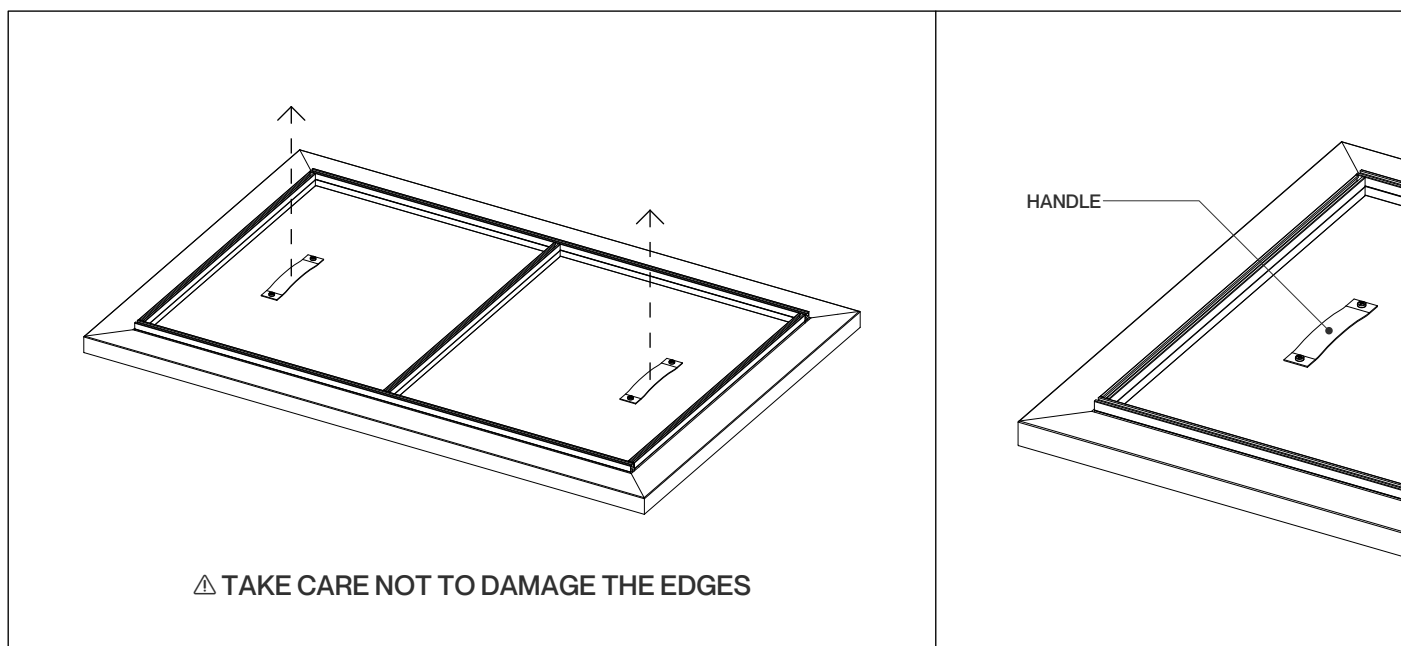
Do not use if there is any damage to the unit or to the wiring/insulation. Inspect periodically.

Confirm the proper gauge wires are used between Power Supplies, Controls & Fixture to avoid voltage drop.

Installer is responsible for reinforcing the ceiling to properly support the fixture weight.

Sabin LLC, accepts no responsibility for inadequately reinforced ceilings.

# STORAGE AND HANDLING



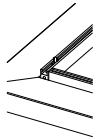
- 1 Store the products in their original packaging until installation. Handle the edges with care. Always lift the product using the provided handles.
- 2 Keep products in a dry, climate-controlled indoor space and elevate products off the floor to prevent material degradation. Do not stack heavy objects on top of stored products.
- 3 Open packaging in a dust-free area, using caution with sharp tools to avoid damaging the contents. Wear clean, white gloves when handling components to prevent stains or surface damage.
- 4 Avoid direct contact with light engines to prevent damage.

# GUIDELINES

# HARDWARE OVERVIEW

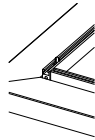
## AIRCRAFT CABLE + HARD CEILING

- Anchor (Not Provided)
- Coupler S000367-01
- 60" Aircraft Cable S000099-02
- Gripper S000059-01



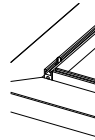
## AIRCRAFT CABLE + STRUT

- P1000 Strut Channel 1 5/8" (Not Provided)
- Strut Nut with Stud F002016-01
- Coupler S000367-01
- 60" Aircraft Cable S000099-02
- Gripper S000059-01



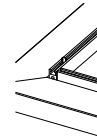
## AIRCRAFT CABLE + STANDARD GRID

- Ceiling Grid (Not Provided)
- 9/16" T-Bar Clip S001157-01
- 15/16" T-Bar Clip S001156-01
- 9/16" Twist Clip F002017-01
- 15/16" Twist Clip F002018-01
- Coupler S000367-01
- 60" Aircraft Cable S000099-02
- Gripper S000059-01



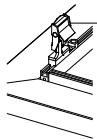
## AIRCRAFT CABLE + TEGULAR GRID

- Ceiling Grid (Not Provided)
- Tegular Clip S000948-01
- Coupler S000367-01
- 60" Aircraft Cable S000099-02
- Gripper S000059-01



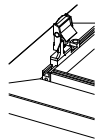
## STRAP + HARD CEILING

- Anchor (Not Provided)
- Webbing Suspension Adapter F001227-01
- 60" Strap U001177-01
- Pre-installed Cam Buckle:
  - Top Cam S001069-01
  - Bottom Cam S001065-01
  - M4 Screw F001035-01
  - 10-32 Screw F001781-01



## STRAP + STRUT

- P1000 Strut Channel 1 5/8" (Not Provided)
- Strut Nut with Stud F002016-01
- Webbing Suspension Adapter F001227-01
- 60" Strap U001177-01
- Pre-installed Cam Buckle:
  - Top Cam S001069-01
  - Bottom Cam S001065-01
  - M4 Screw F001035-01
  - 10-32 Screw F001781-01



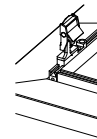
## STRAP + STANDARD GRID

- Ceiling Grid (Not Provided)
- 9/16" T-Bar Clip S001157-01
- 15/16" T-Bar Clip S001156-01
- 9/16" Twist Clip F002017-01
- 15/16" Twist Clip F002018-01
- Webbing Suspension Adapter F001227-01
- 60" Strap U001177-01
- Pre-installed Cam Buckle:
  - Top Cam S001069-01
  - Bottom Cam S001065-01
  - M4 Screw F001035-01
  - 10-32 Screw F001781-01



## STRAP + TEGULAR GRID

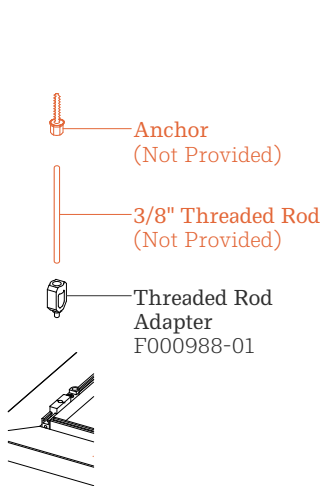
- Ceiling Grid (Not Provided)
- Tegular Clip S000948-01
- Webbing Suspension Adapter F001227-01
- 60" Strap U001177-01
- Pre-installed Cam Buckle:
  - Top Cam S001069-01
  - Bottom Cam S001065-01
  - M4 Screw F001035-01
  - 10-32 Screw F001781-01



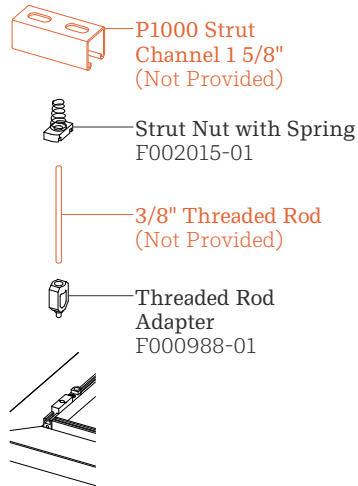
# GUIDELINES

# HARDWARE OVERVIEW

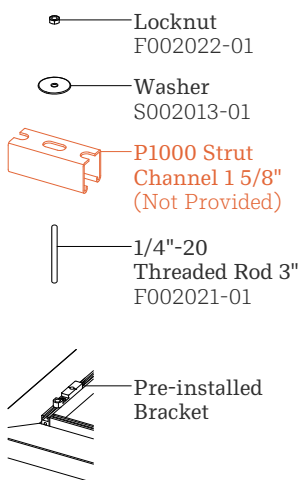
## THREADED ROD + HARD CEILING



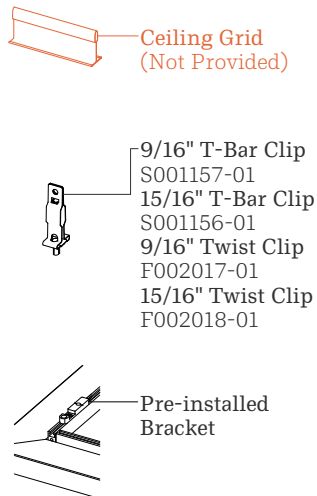
## THREADED ROD + STRUT



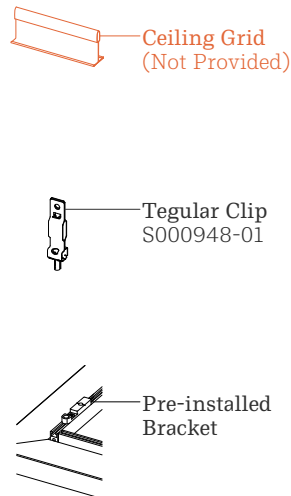
## DIRECT TO + STRUT



## DIRECT TO + STANDARD GRID

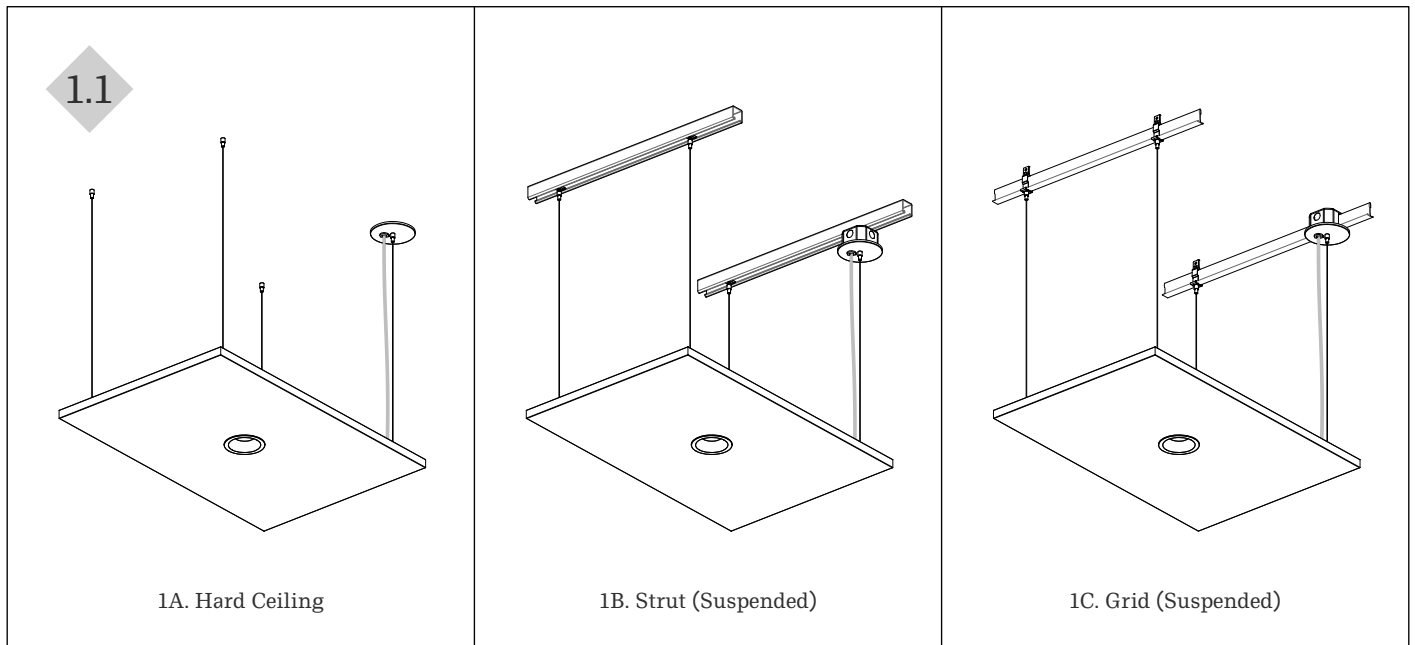


## DIRECT TO + TEGULAR GRID



## STEP 1

# CEILING SIDE



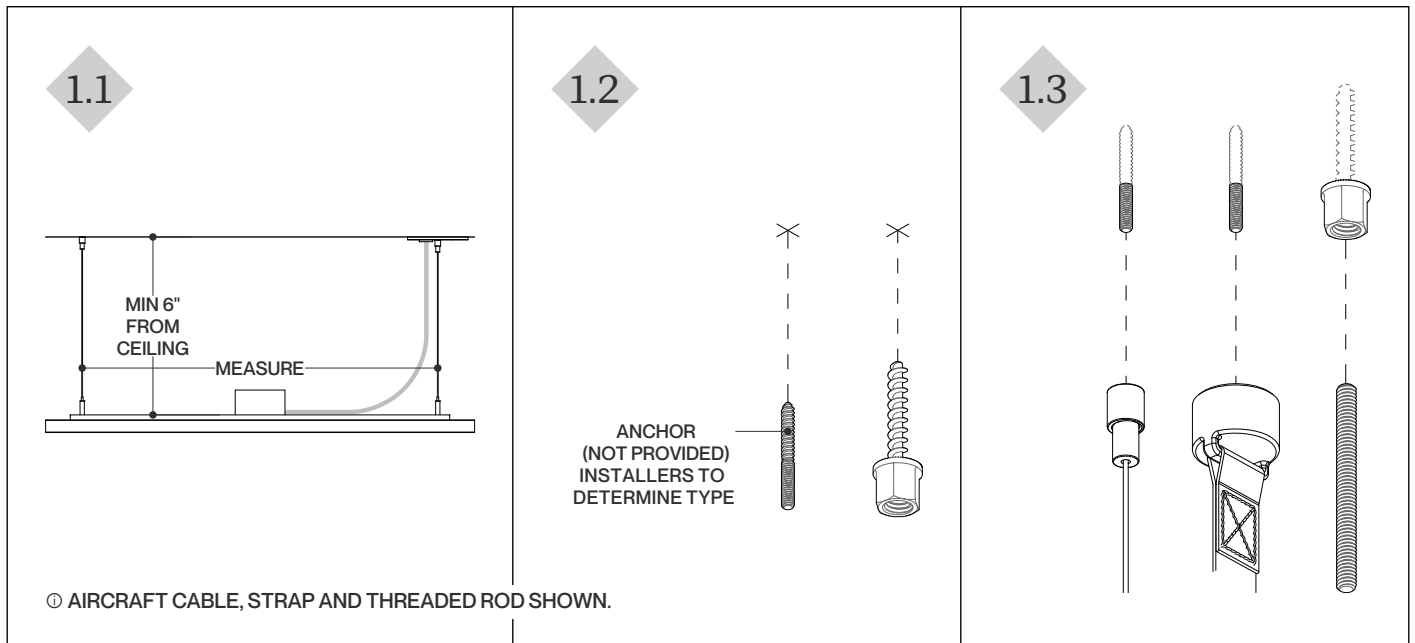
## 1.1

To properly install the fixture reference 1A-1C to complete the installation depending on the ceiling type.

## STEP 1A

# CEILING SIDE

## Hard Ceiling



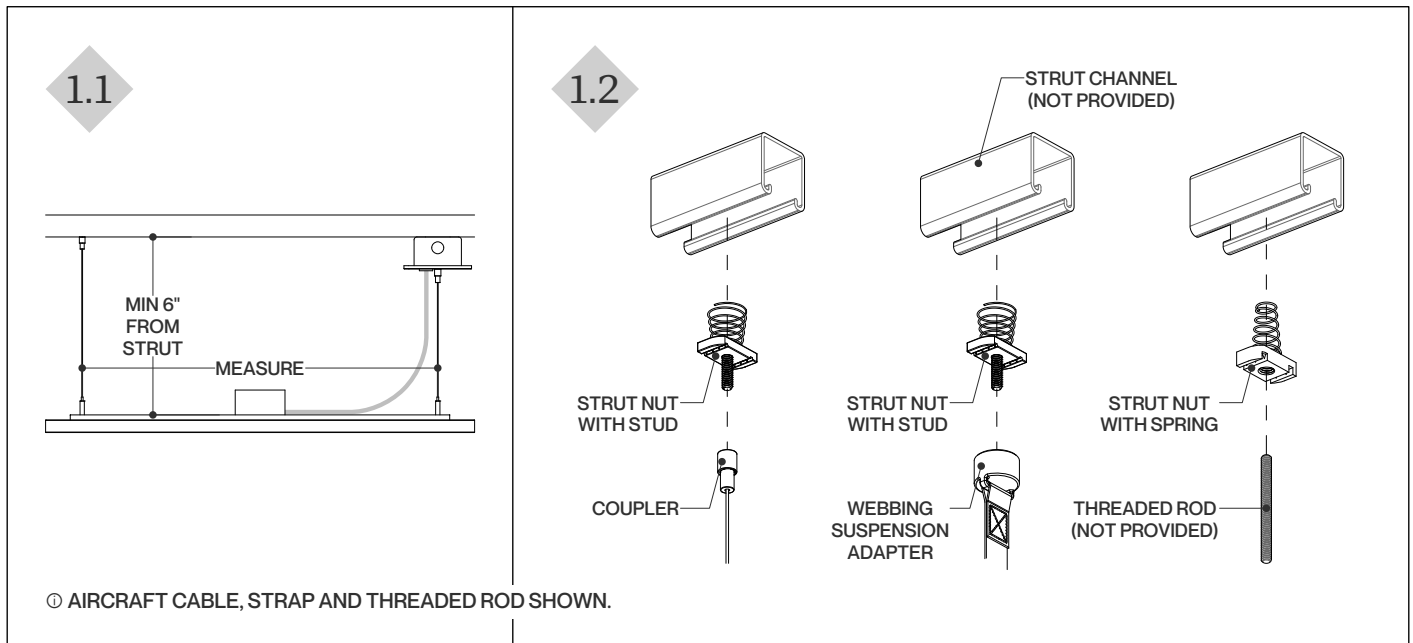
**1A.1** Measure the distance between the suspension points, then mark this measurement to the surface.

**1A.2** Install the 1/4"-20 anchors (not provided) onto the marks of the surface.

**1A.3** Secure the coupler, the webbing suspension adapter or the threaded rod (with or without canopy) to the anchor followed by tightening.

## STEP 1B

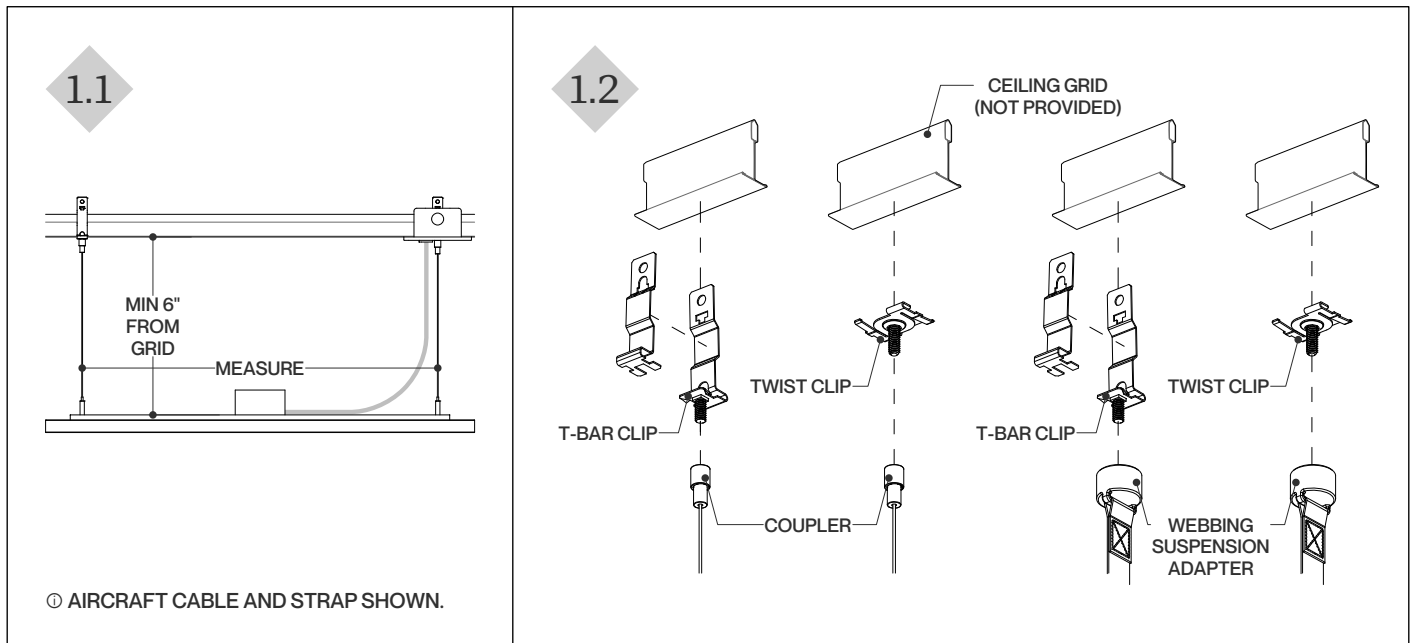
# CEILING SIDE Strut (Suspended)



- 1B.1** Measure the distance between the suspension points, then transfer this measurement onto the strut channel (not provided).
- 1B.2** Twist and release the strut nut with stud or the strut nut with spring into the channel (not provided).
- 1B.3** Secure the coupler or the webbing suspension adapter to the strut nut with stud, or the threaded rod to the strut nut with spring (with or without canopy) followed by tightening.

## STEP 1C

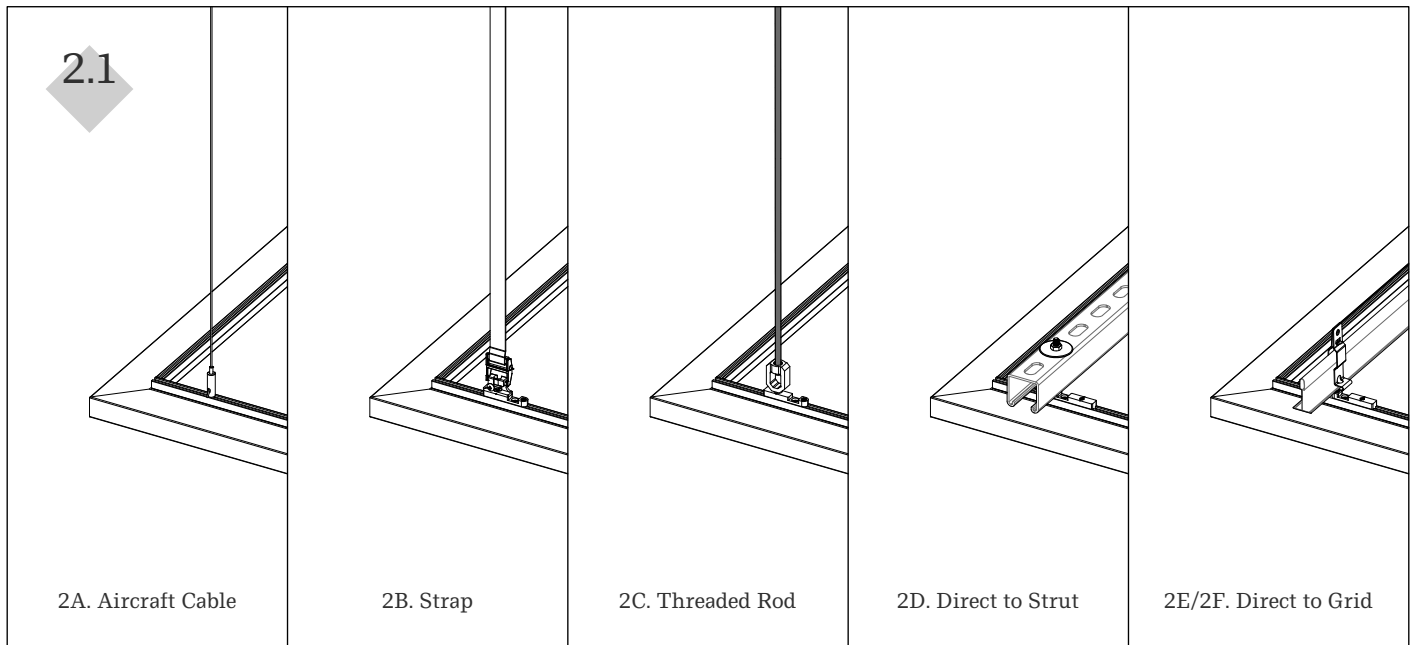
# CEILING SIDE Grid (Suspended)



- 1C.1** Measure the distance between the suspension points, then transfer this measurement onto the ceiling grid (not provided). Note: Clip selection (T-bar clip or twist clip) is determined by both the product's weight and the ceiling grid specifications.
- 1C.2** Slide the main section of the T-bar clip onto the ceiling grid (not provided). Insert the secondary section and snap it into place to secure both parts. Alternatively, align the twist clip with the ceiling grid and rotate until it locks firmly in place.
- 1C.3** Secure the coupler (with or without canopy) to the T-bar clip or twist clip followed by tightening.

## STEP 2A

# FIXTURE SIDE



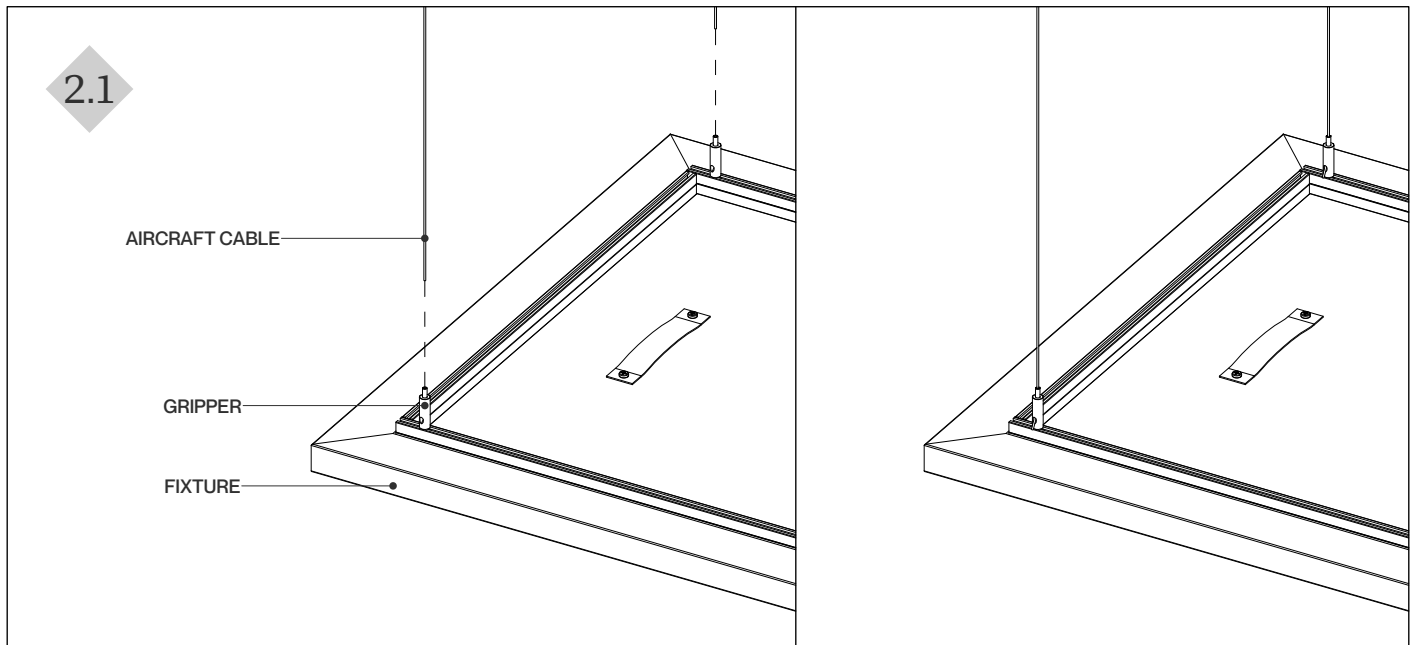
## 2.1

To properly install the fixture reference 2A-2F to complete the installation depending on the suspension type.

## STEP 2A

# FIXTURE SIDE

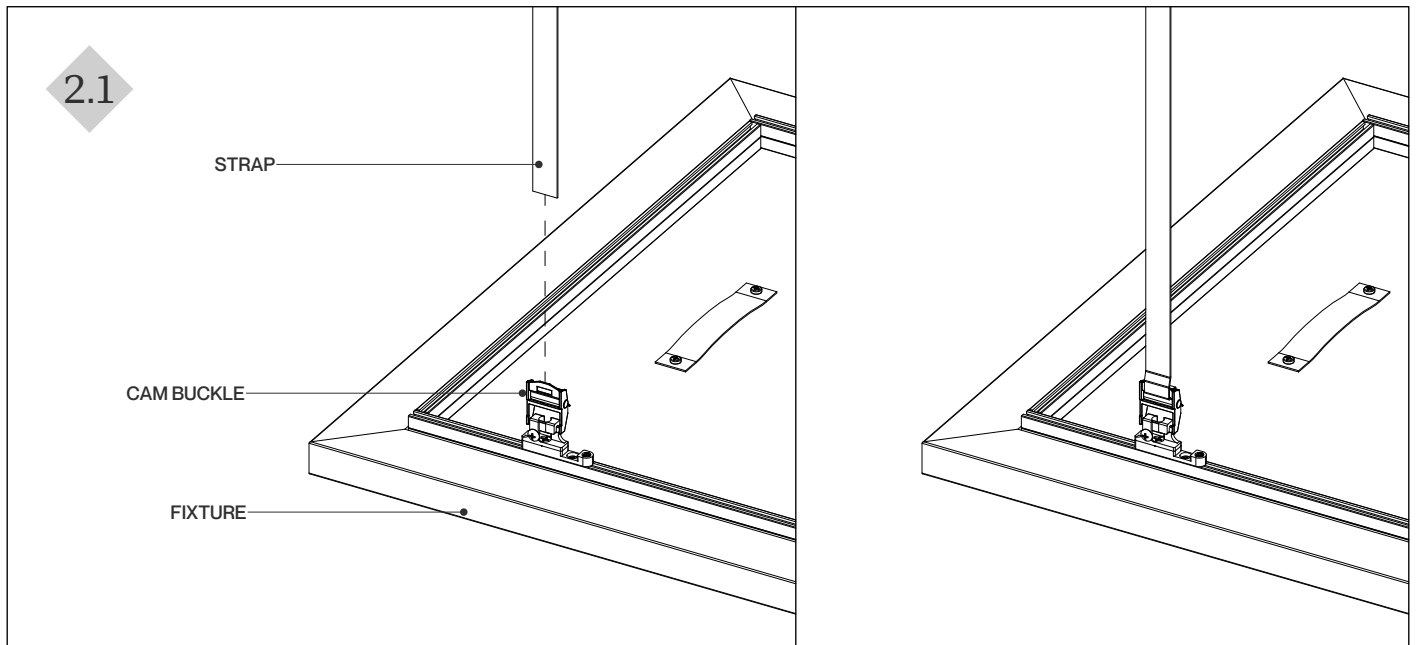
## Aircraft Cable



**2A.1** From the top of the fixture, insert each aircraft cable into the gripper until the desired height is achieved.

## STEP 2B

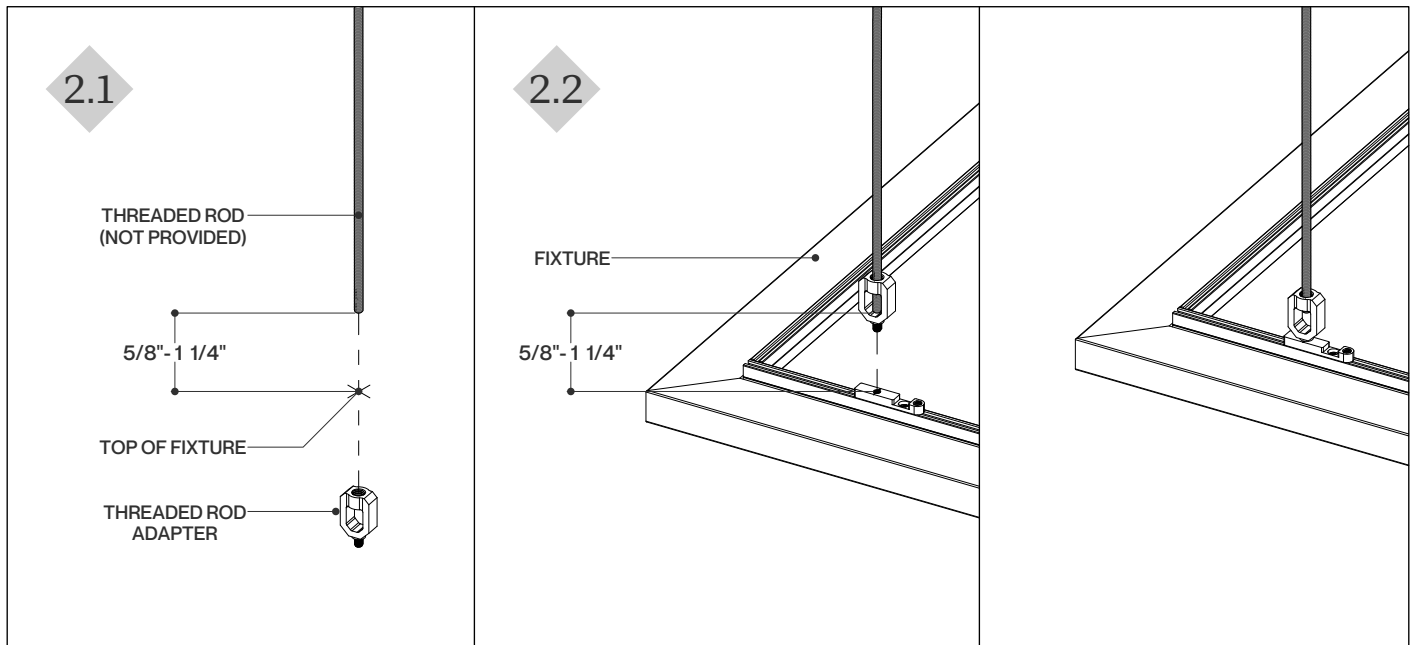
# FIXTURE SIDE Strap



**2B.1** From the top of the fixture, insert each strap into the cam buckle until the desired height is achieved.

## STEP 2C

# FIXTURE SIDE Threaded Rod



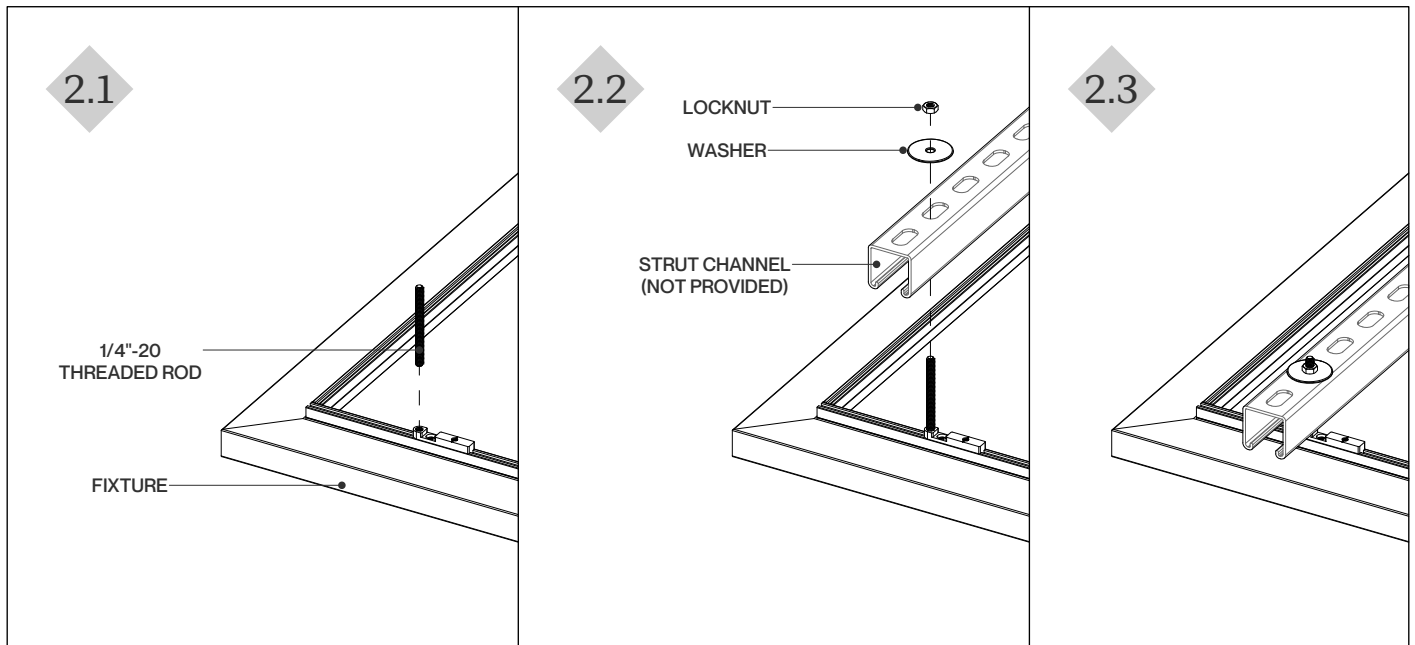
**2C.1** Install 3/8" threaded rod (not provided) to above structure. The bottom end of the threaded rod should be between 5/8" - 1 1/4" above the top of the fixture. Thread the threaded rod adapter on to the threaded rod to the maximum depth possible.

**2C.2** Lift fixture until the 10-32 threaded hole and the threaded rod adapter meet. Proceed to unthread adapter from threaded rod (not provided). As you do, the adapter will engage with the 10-32 threaded hole. Continue until adapter is flush against the fixture.

## STEP 2D

# FIXTURE SIDE

## Direct to Strut



**2D.1** Thread the 1/4"-20 threaded rod into the bracket. Do not overtighten.

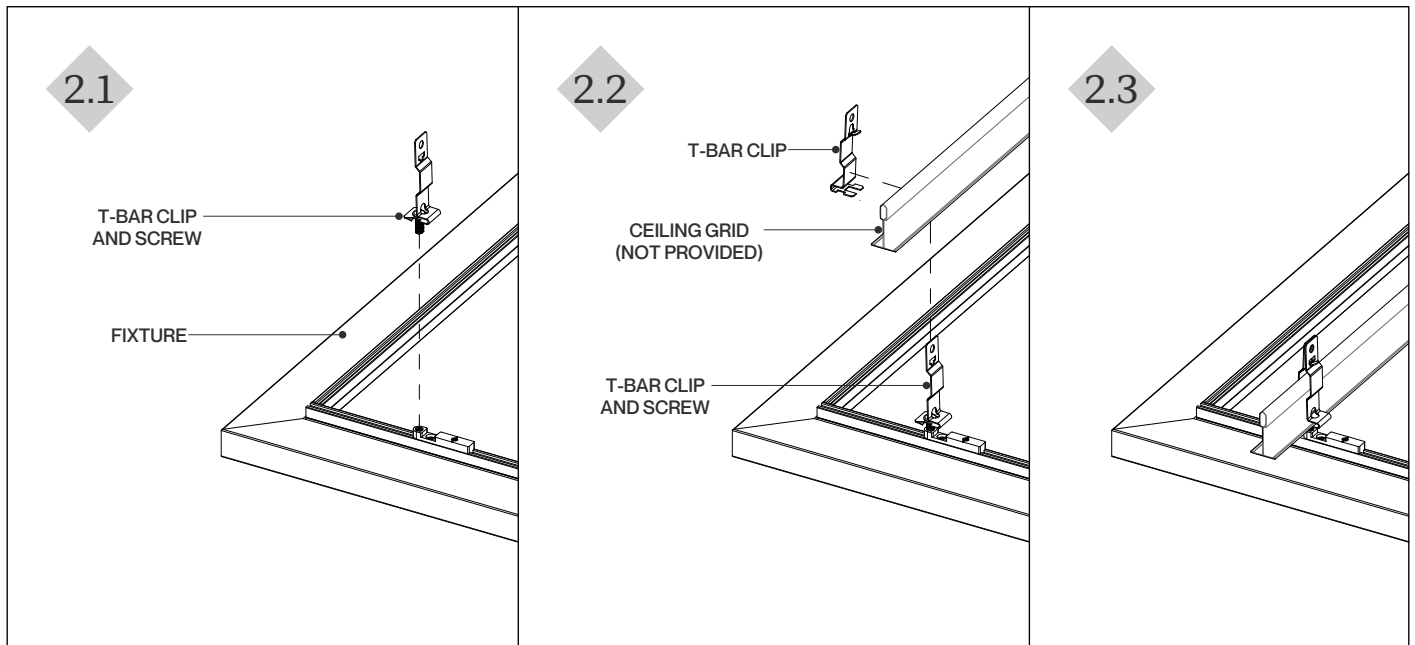
**2D.2** Raise the bracket and threaded rod assembly up through the strut channel (not provided). Place a washer on top, followed by securing it with a nut.

**2D.3** Check for proper alignment and ensure the connection is stable.

## STEP 2E

# FIXTURE SIDE

## Direct to Grid (T-Bar Clip)



**2E.1** Attach the main part of the T-bar clip to the bracket using the screw. Thread the screw into the bracket carefully. Do not overtighten.

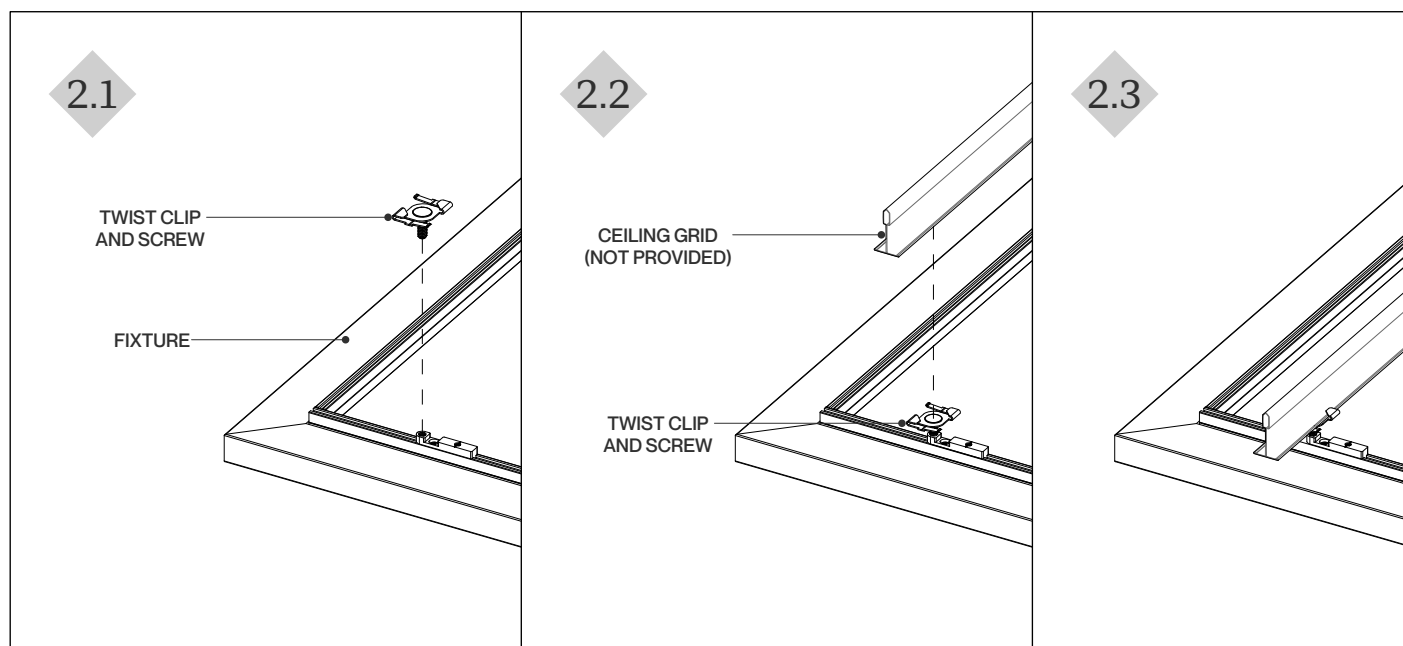
**2E.2** Raise the bracket and T-bar clip assembly up through the ceiling grid (not provided). Then, insert the second part of the clip onto the grid and snap it in place to secure both sections.

**2E.3** Check for proper alignment and ensure the connection is stable.

## STEP 2F

# FIXTURE SIDE

## Direct to Grid (Twist Clip)



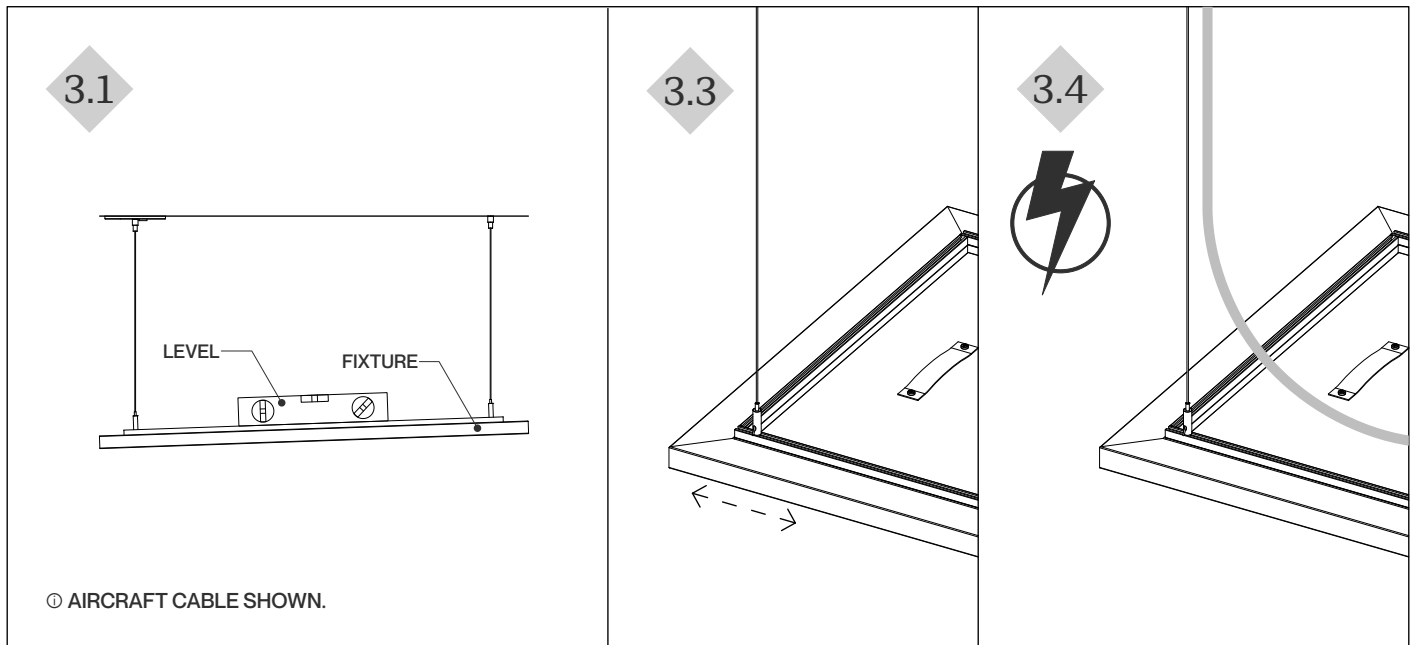
**2F.1** Attach the twist clip to the bracket using the screw. Thread the screw into the bracket carefully. Do not overtighten.

**2F.2** Raise the bracket and twist clip assembly up through the ceiling grid (not provided). Then, twist it on counterclockwise until you hear a click.

**2F.3** Check for proper alignment and ensure the connection is stable.

## STEP 3

# FINAL STEPS



3.1

Level fixture.

3.2

If necessary cut the excess aircraft cable off or trim the excess strap, leaving at least 25mm past cam.

3.3

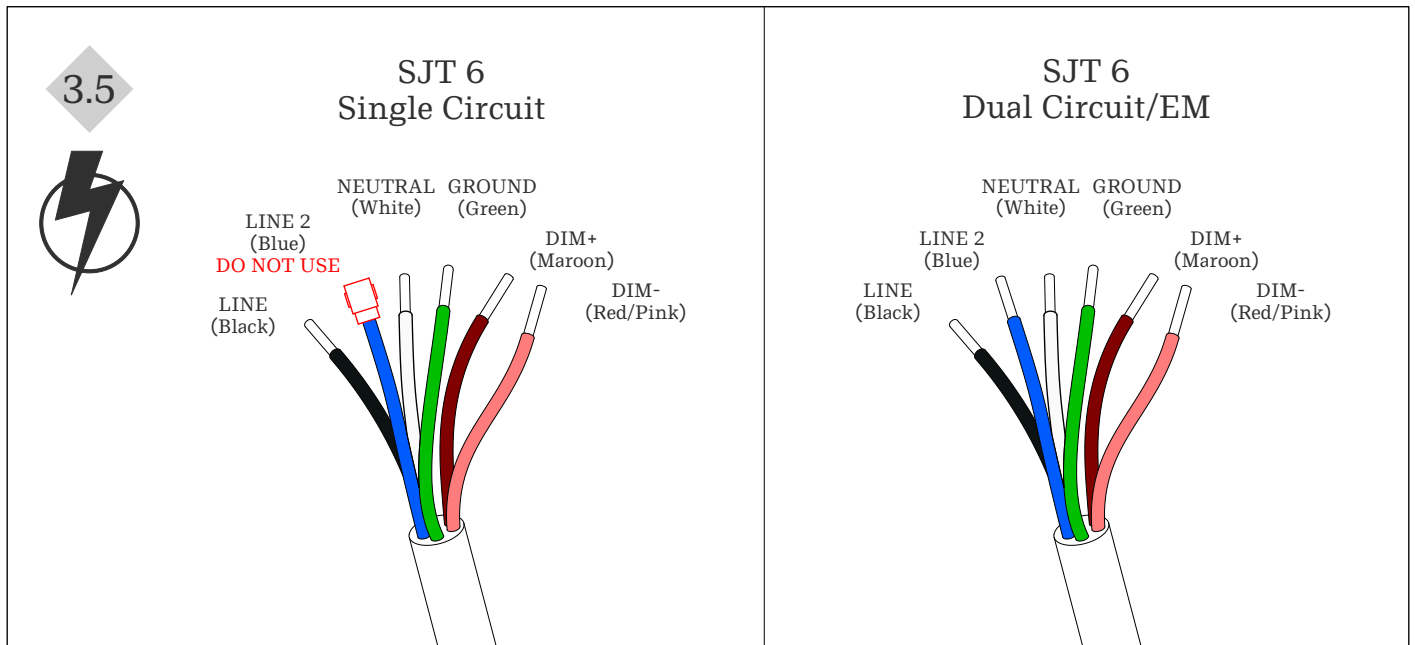
Hang points can be adjusted by rotating the grippers or bracket screws counterclockwise, sliding along the rail to the new position, then retightening to secure.

3.4

If the fixture includes lighting, ensure all wiring connections are made in accordance with local and national electrical codes. Note: Each cord should include an identification card. If the card is missing, refer to the wire color diagram on the following page.

## STEP 3

# FINAL STEPS (CONT.)



### 3.5

For SINGLE CIRCUIT fixtures, the blue wire is terminated with a red cap and should not be connected. For DUAL CIRCUIT/EM fixtures, the blue wire is active and must be connected as part of the circuit.

# SABIN