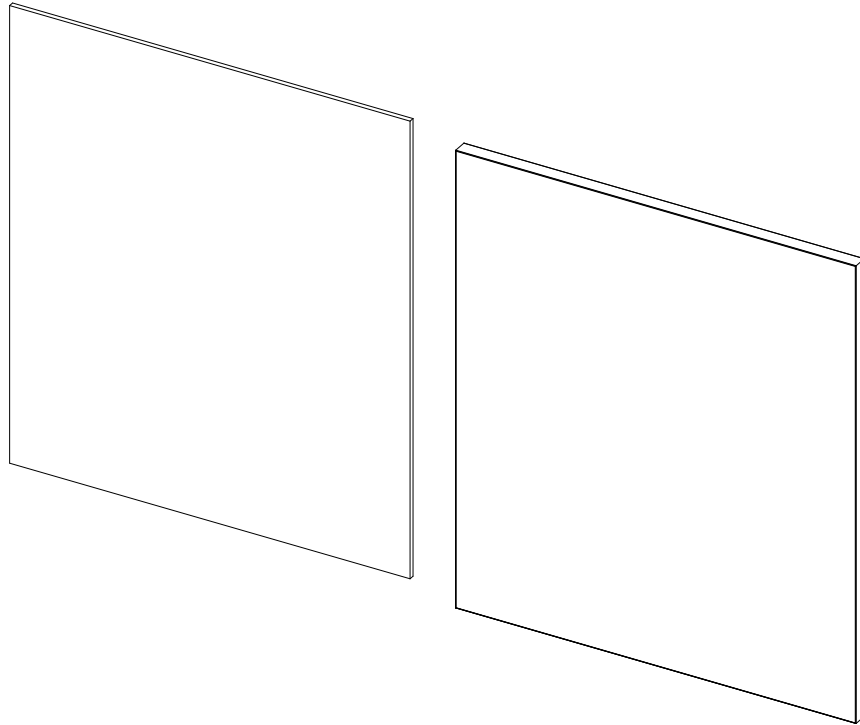


**SABIN**



# **INSTALLATION GUIDE**

**PLANE - WALL MOUNT**

# INSTALLING PLANE WALL MOUNT

**THIS IS A GUIDE TO ASSIST WITH YOUR  
SABIN PRODUCT INSTALLATION.**

The following pages explain best practices for a successful installation. Please note these are not comprehensive to every installation environment. Please contact our factory for specific questions.

# GUIDELINES

## STORAGE AND HANDLING

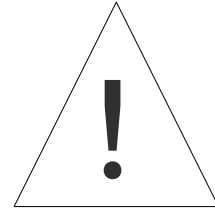
# STEPS

## 1 MOUNTING

1A Construction Adhesive

1B Hardware

# READ PRIOR TO STARTING YOUR INSTALLATION



This product is suitable for indoor dry location only.

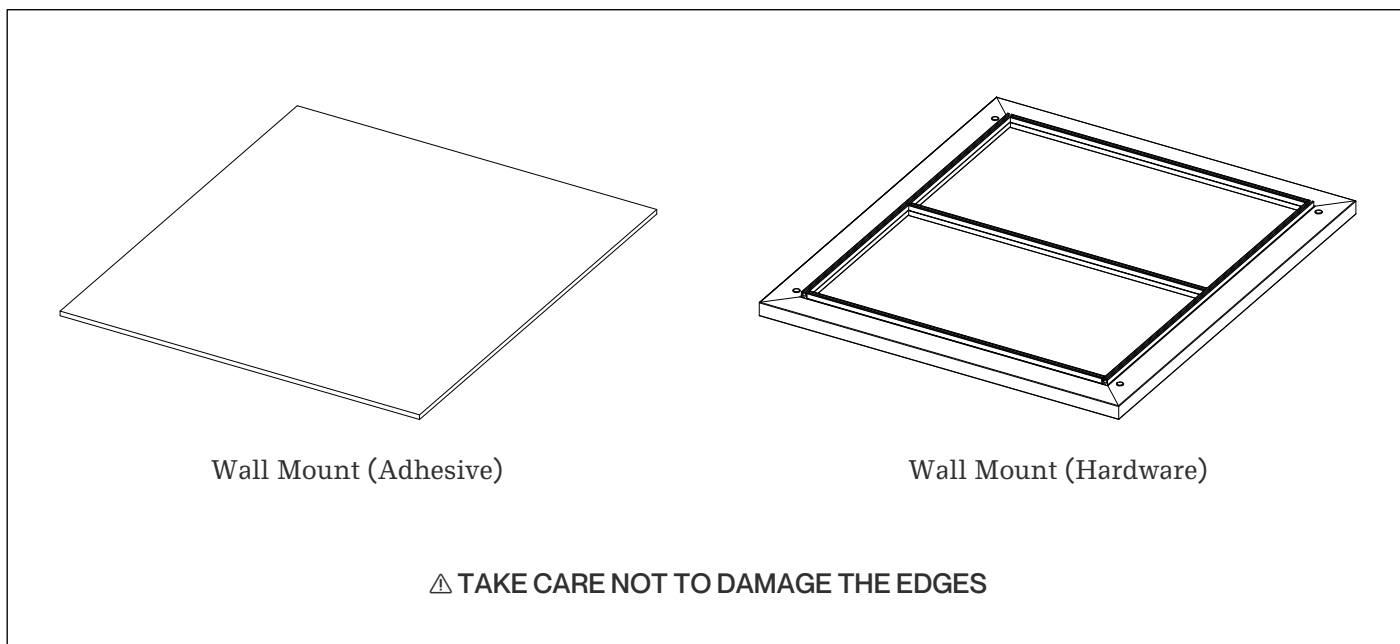
Allow adequate ventilation around the fixture.

Do not install the Fixture closer than 6.0" to combustible material.

Installer is responsible for reinforcing the walls to properly support the fixture weight.

Sabin LLC, accepts no responsibility for inadequately reinforced walls.

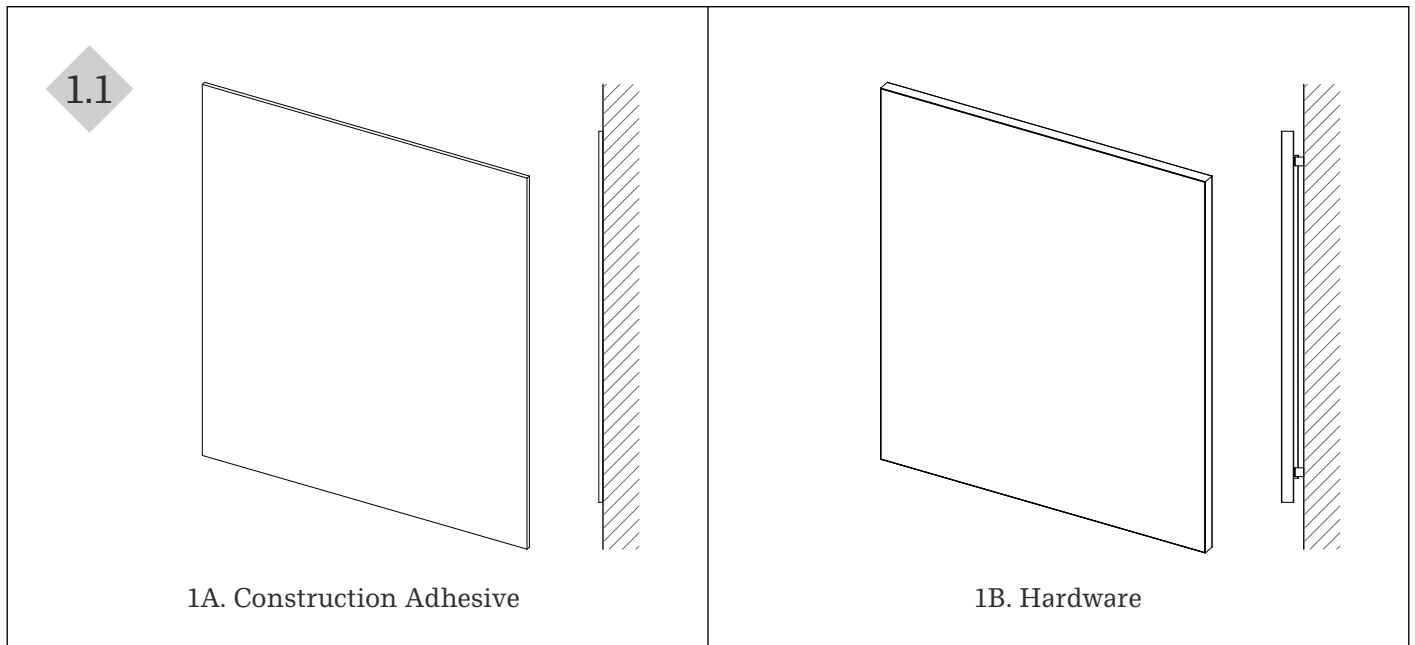
# STORAGE AND HANDLING



- 1 Store the products in their original packaging until installation. Handle the edges with care.
- 2 Keep products in a dry, climate-controlled indoor space and elevate products off the floor to prevent material degradation. Do not stack heavy objects on top of stored products.
- 3 Open packaging in a dust-free area, using caution with sharp tools to avoid damaging the contents. Wear clean, white gloves when handling components to prevent stains or surface damage.

## STEP 1

# MOUNTING



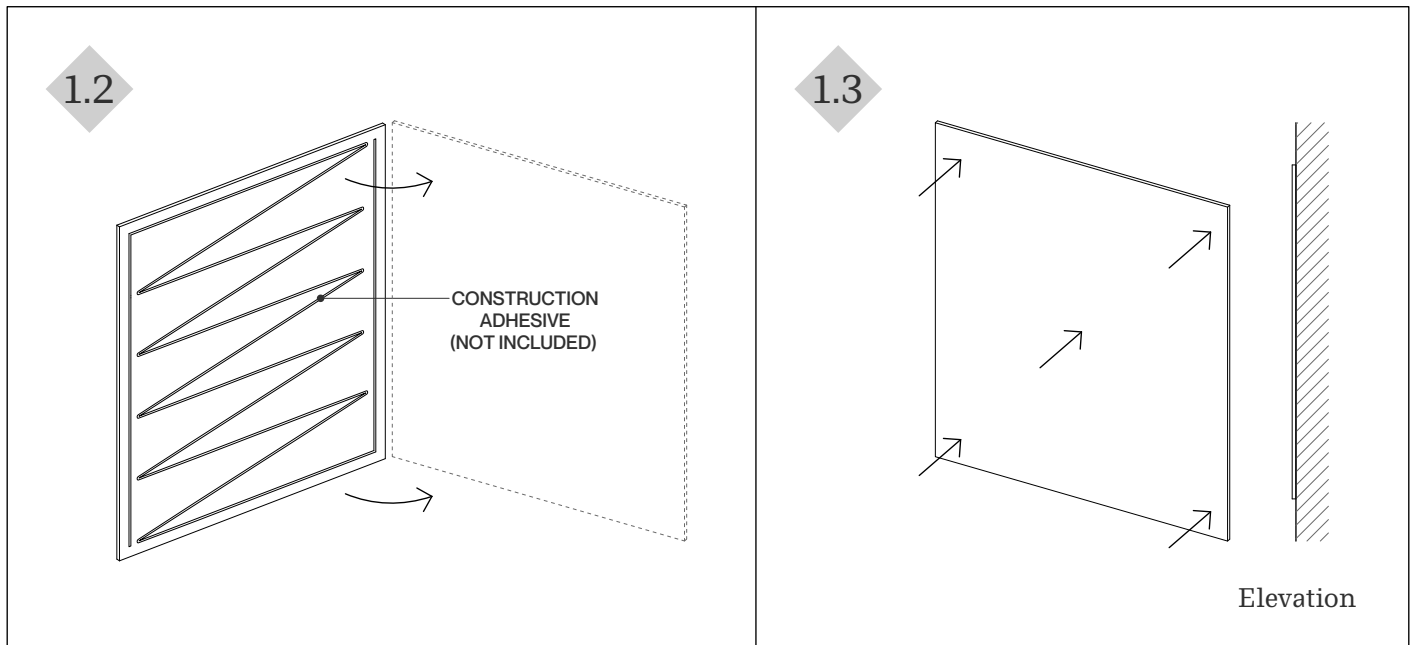
## 1.1

To properly install the fixture reference 1A or 1B to complete the installation depending on the mounting type.

## STEP 1A

# MOUNTING

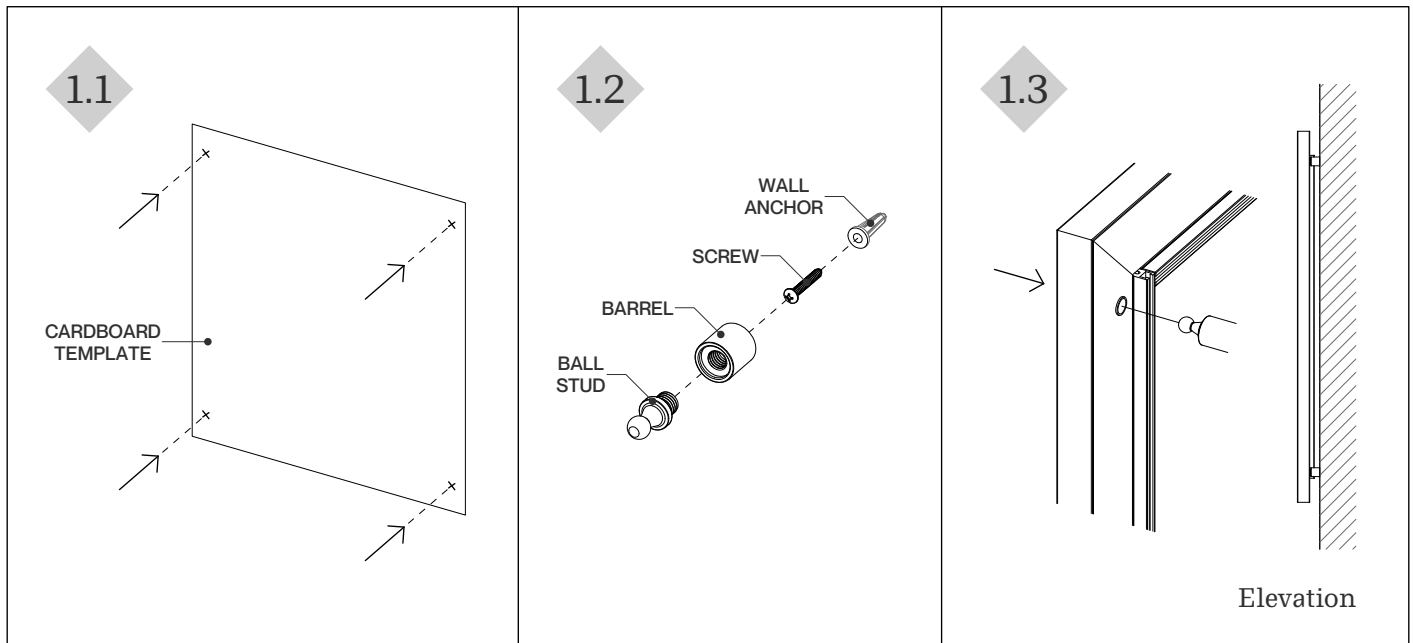
## Construction Adhesive



- 1A.1 Prepare the wall surface by removing dust, dirt, and loose debris. Make sure the surface is completely clean and dry before applying adhesive.
- 1A.2 Apply construction adhesive (not included) according to the contractor's specifications and the adhesive manufacturer's instructions.
- 1A.3 Position the panel and press firmly and evenly across the entire surface to ensure full contact and adhesion.
- 1A.4 Perform any necessary alignment checks to ensure the panel is level and properly positioned. Allow the adhesive to cure for the time recommended by the manufacturer.

## STEP 1B

# MOUNTING Hardware



- 1B.1** Use the provided cardboard template to mark the mounting points on the wall. Then insert the wall anchors (included) securely at each location.
- 1B.2** Secure the barrel to the wall using a #6 screw (included). Thread the ball stud into the barrel, hand tight.
- 1B.3** Visually align ball studs with precut holes on the backside of the Plane. Apply slight pressure to the front side of the Plane in the vicinity of each ball stud until seated.
- 1B.4** Perform any necessary alignment checks to ensure the panel is level and properly positioned.

# SABIN