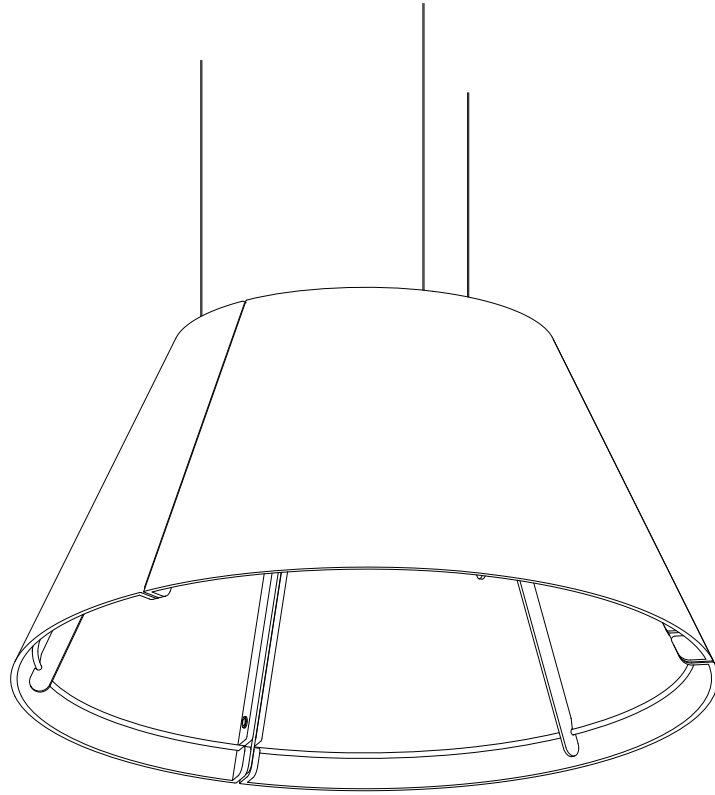


**SABIN**



# INSTALLATION GUIDE

**TAPER**

# INSTALLING TAPER

**THIS IS A GUIDE TO ASSIST WITH YOUR  
SABIN PRODUCT INSTALLATION.**

The following pages explain best practices for a successful installation. Please note these are not comprehensive to every installation environment. Please contact our factory for specific questions.

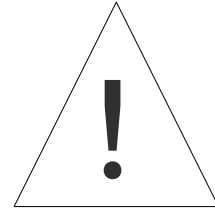
# GUIDELINES

STORAGE AND HANDLING  
HARDWARE OVERVIEW

## STEPS

- 1 **FIXTURE ASSEMBLY**
- 2 **CEILING SIDE**
  - 2A Hard Ceiling
  - 2B Strut (Suspended)
  - 2C Grid (Suspended)
- 3 **FIXTURE SIDE**
  - 3A Aircraft Cable
  - 3B Strap
  - 3C Threaded Rod
- 4 **FINAL STEPS**

# READ PRIOR TO STARTING YOUR INSTALLATION



This product is suitable for indoor dry location only.

Do not switch line voltage until all the wiring is complete.

These products may represent a potential shock or fire hazard if improperly installed.

Products should be installed in accordance with local and National Electric Code (NEC).

This product should only be installed by a licensed Electrician.

Allow air to flow freely around the fixture.

Do not install the Fixture closer than 6.0” to combustible material.

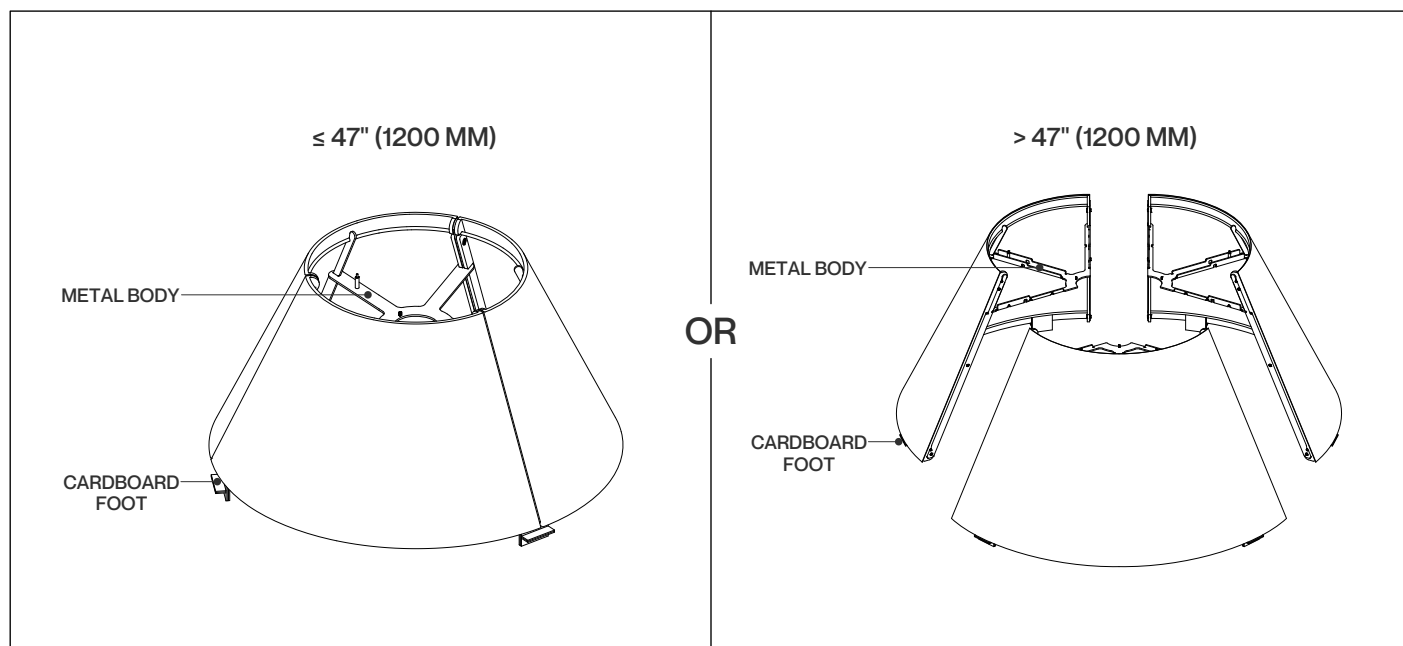
Do not use if there is any damage to the unit or to the wiring/insulation. Inspect periodically.

Confirm the proper gauge wires are used between Power Supplies, Controls & Fixture to avoid voltage drop.

Installer is responsible for reinforcing the ceiling to properly support the fixture weight.

Sabin LLC, accepts no responsibility for inadequately reinforced ceilings.

# STORAGE AND HANDLING

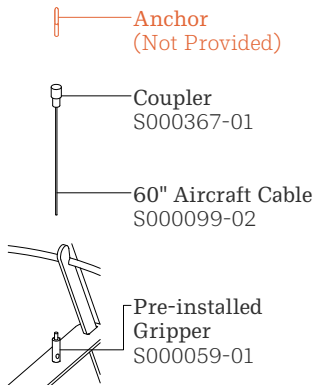


- 1 Product measuring 47" (1200 MM) and under will arrive as a single, built unit. Product larger than 47" (1200 MM) will arrive in three sections and must be assembled on-site. Please proceed to Step 1 if product is larger than 47" (1200 MM), otherwise, bypass.
- 2 Store the products in their original packaging until installation. Use the cardboard feet provided to securely support the fixture. These inserts should remain in place until installation. Handle the product carefully, holding it from the top and the metal body on the inside.
- 3 Keep products in a dry, climate-controlled indoor space and elevate products off the floor. Do not stack heavy objects on top of stored products. Open packaging in a dust-free area, using caution with sharp tools to avoid damaging the contents. Wear clean, white gloves when handling components.
- 4 Avoid direct contact with light engines to prevent damage.

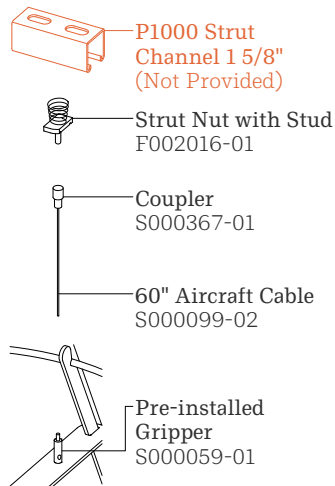
# GUIDELINES

# HARDWARE OVERVIEW

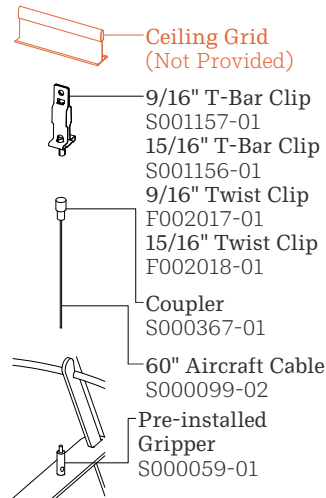
## AIRCRAFT CABLE + HARD CEILING



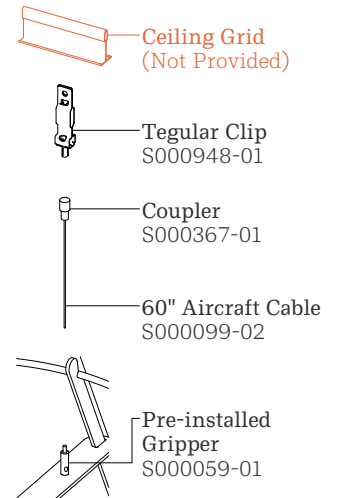
## AIRCRAFT CABLE + STRUT



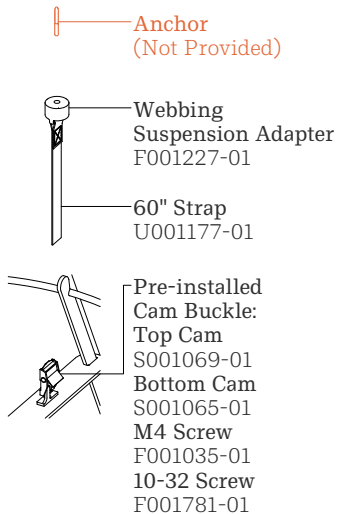
## AIRCRAFT CABLE + STANDARD GRID



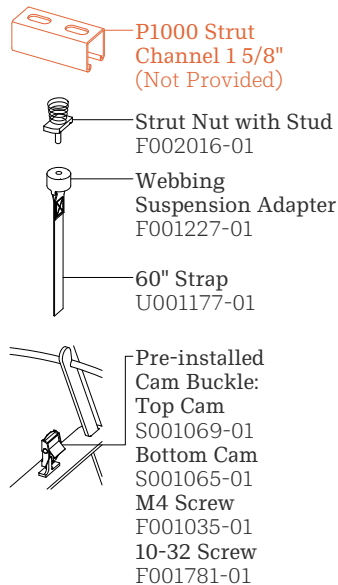
## AIRCRAFT CABLE + TEGULAR GRID



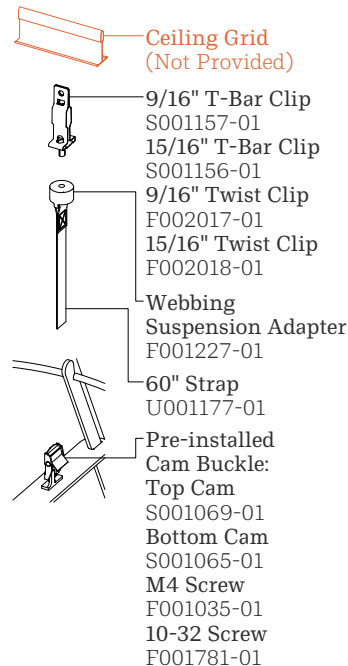
## STRAP + HARD CEILING



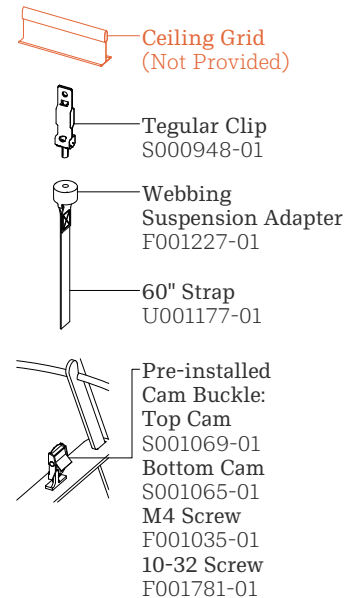
## STRAP + STRUT



## STRAP + STANDARD GRID



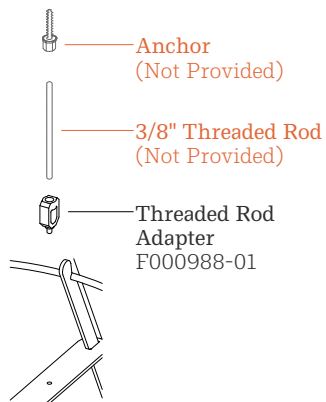
## STRAP + TEGULAR GRID



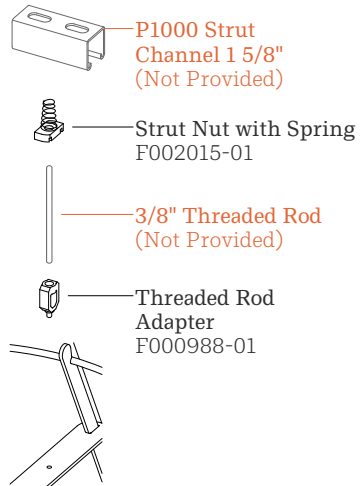
# GUIDELINES

# HARDWARE OVERVIEW

## THREADED ROD + HARD CEILING

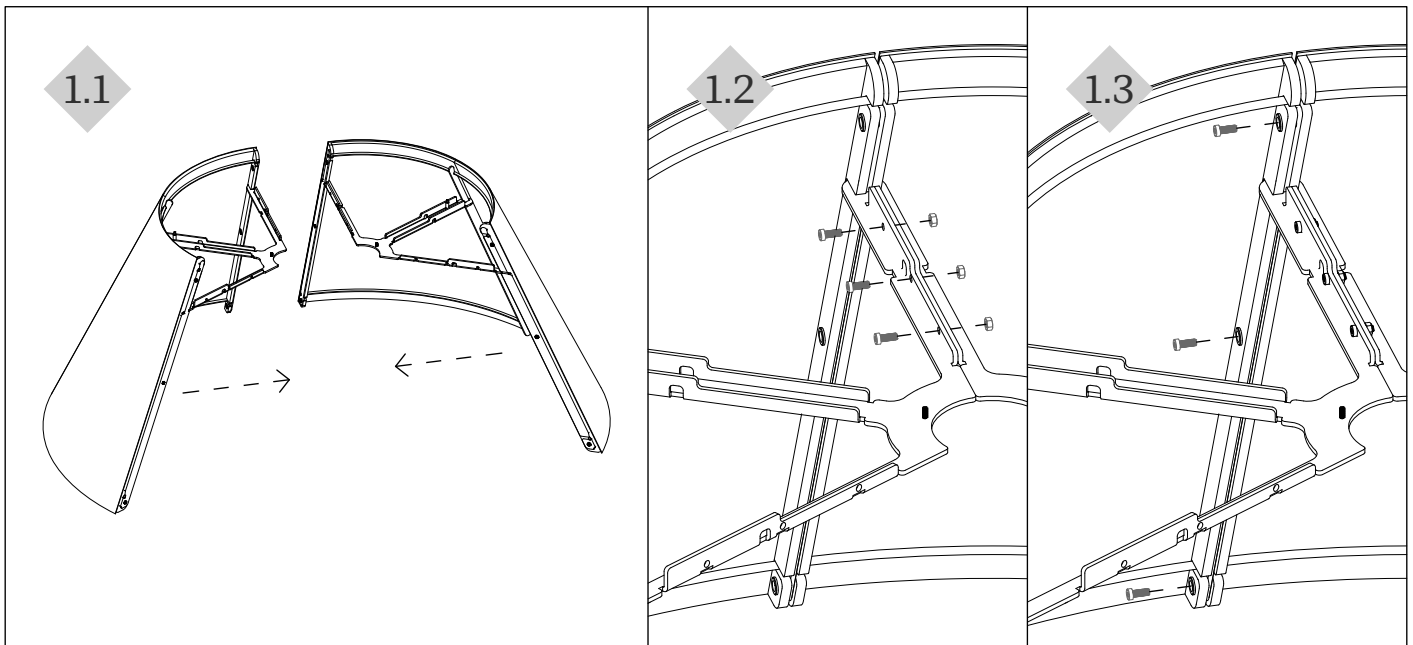


## THREADED ROD + STRUT



## STEP 1

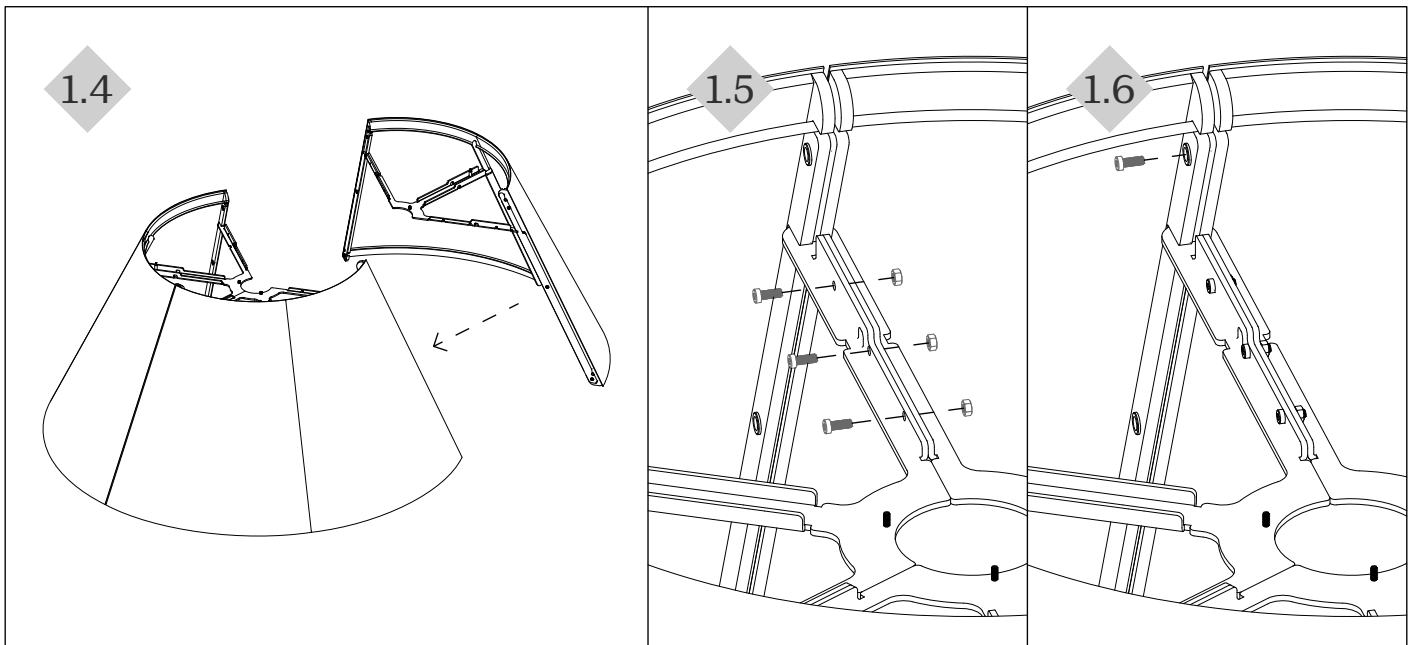
# FIXTURE ASSEMBLY



- 1.1** Product larger than 47" (1200 MM) will arrive in three sections and must be assembled on-site. Align the first two parts of the fixture as shown in the diagram.
- 1.2** Insert three screws and nuts into the top of the metal frame.
- 1.3** Insert three screws into the side of the metal frame.

## STEP 1

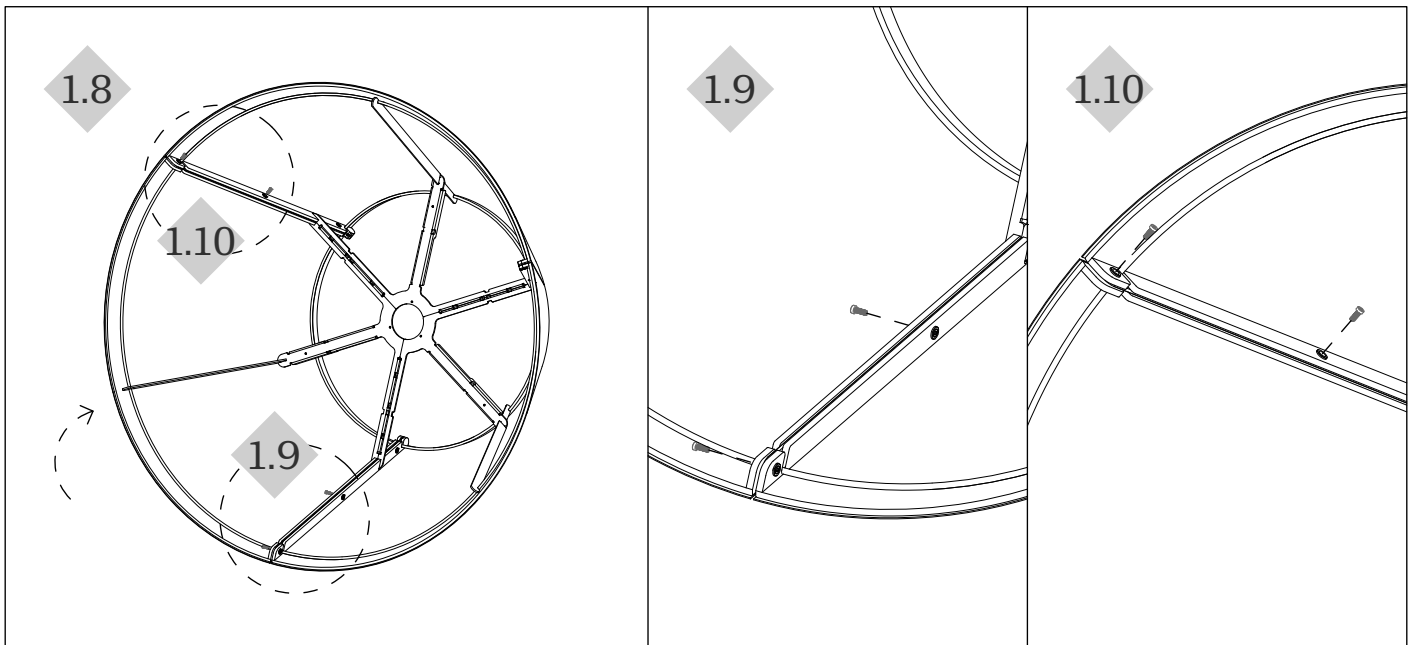
# FIXTURE ASSEMBLY (CONT.)



- 1.4** Align the third part of the fixture as shown.
- 1.5** Insert three screws and nuts into the top of the metal frame, as done in Step 1.2.
- 1.6** Insert one screw into the top side of the metal frame.
- 1.7** Repeat Step 1.5 and 1.6 on the opposite side to complete the connection.

## STEP 1

# FIXTURE ASSEMBLY (CONT.)



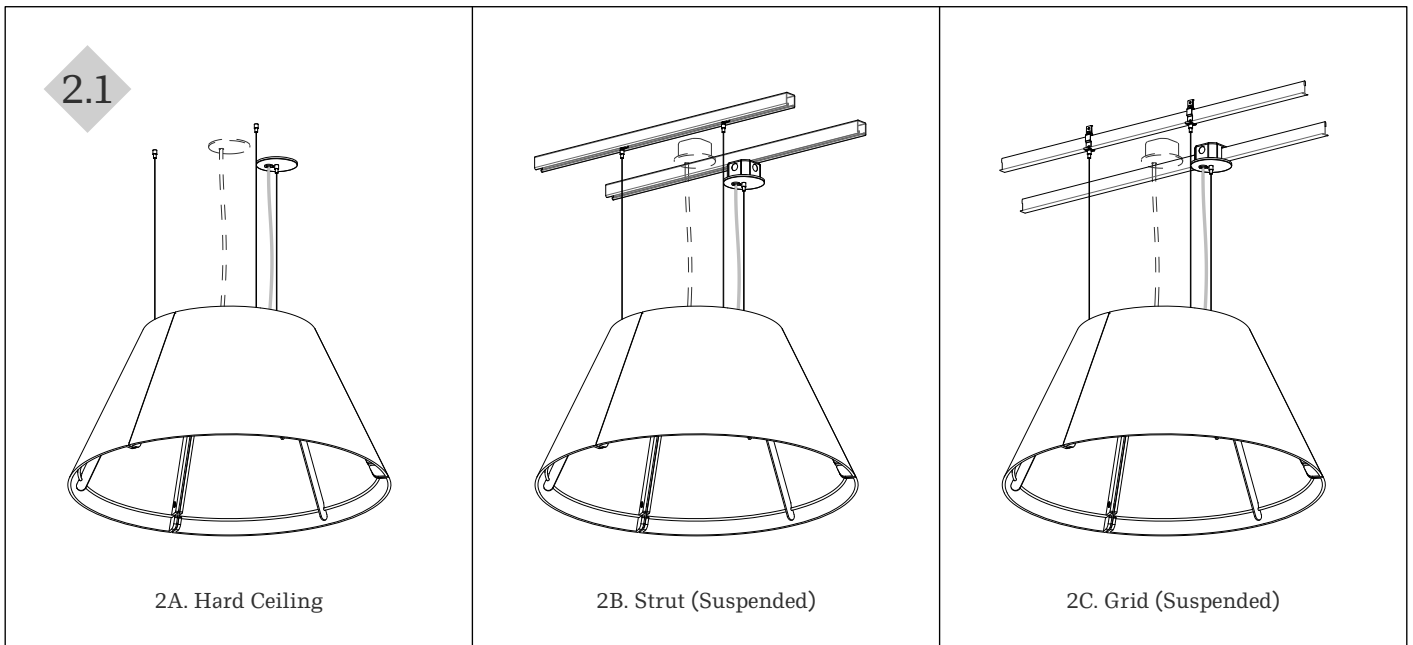
**1.8** Carefully rotate the fixture to one side as illustrated.

**1.9** Insert two screws into the side of the metal frame.

**1.10** Repeat Step 1.9 on the opposite side. Rotate the fixture back to its original position.

## STEP 2

# CEILING SIDE



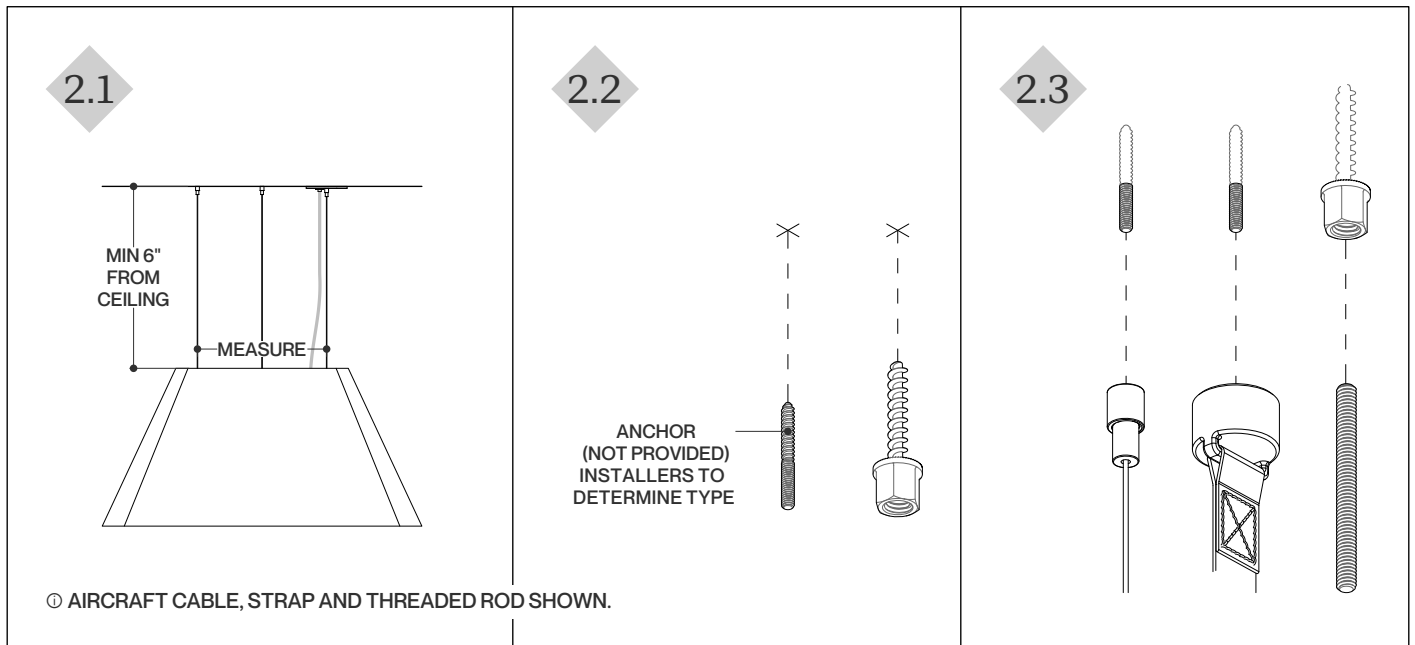
2.1

To properly install the fixture reference 2A-2C to complete the installation depending on the ceiling type.

## STEP 2A

# CEILING SIDE

## Hard Ceiling



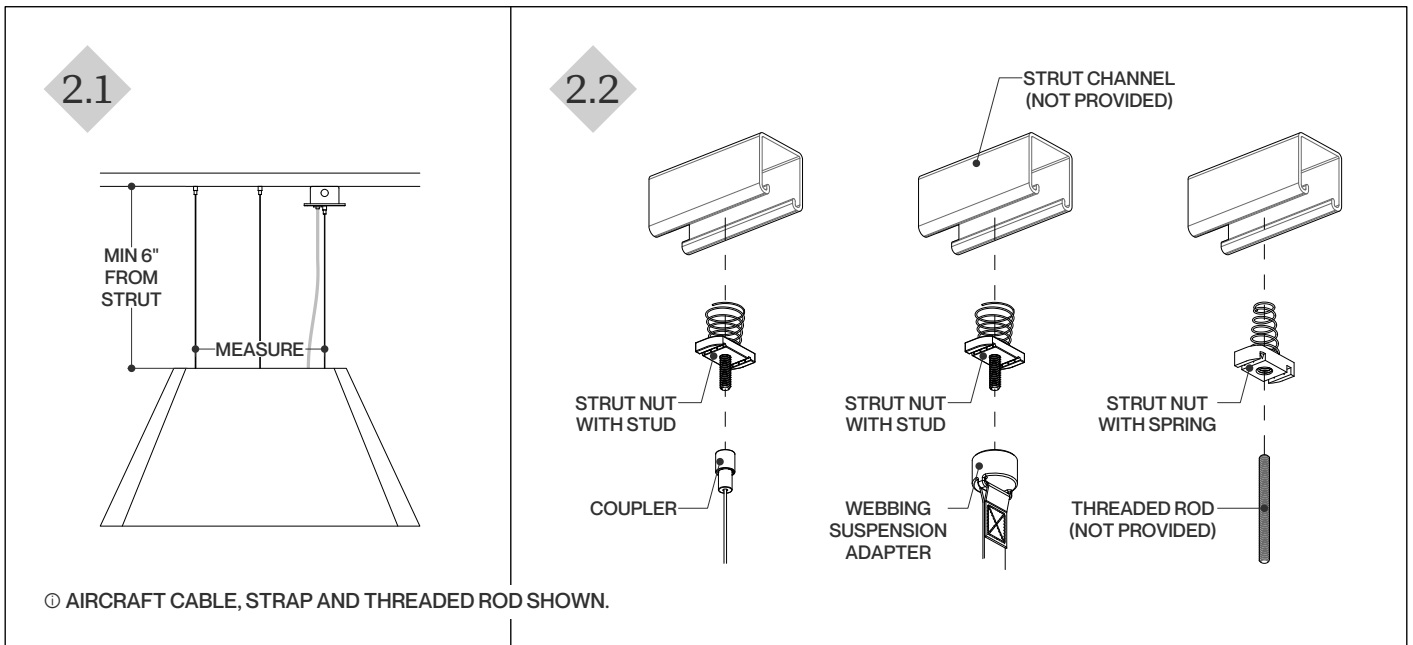
**2A.1** Measure the distance between the suspension points, then mark this measurement to the surface.

**2A.2** Install the 1/4"-20 anchors (not provided) onto the marks of the surface.

**2A.3** Secure the coupler, the webbing suspension adapter or the threaded rod (with or without canopy) to the anchor followed by tightening.

## STEP 2B

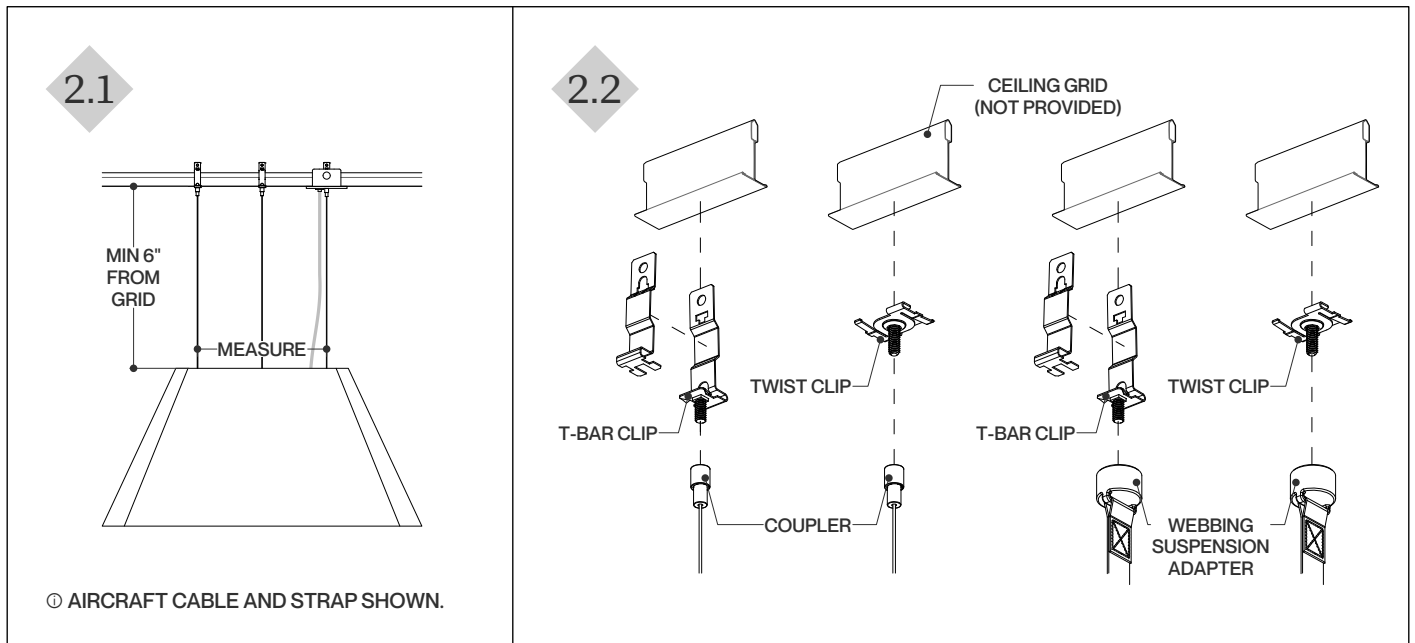
# CEILING SIDE Strut (Suspended)



- 2B.1** Measure the distance between the suspension points, then transfer this measurement onto the strut channel (not provided).
- 2B.2** Twist and release the strut nut with stud or the strut nut with spring into the channel (not provided).
- 2B.3** Secure the coupler or the webbing suspension adapter to the strut nut with stud, or the threaded rod to the strut nut with spring (with or without canopy) followed by tightening.

## STEP 2C

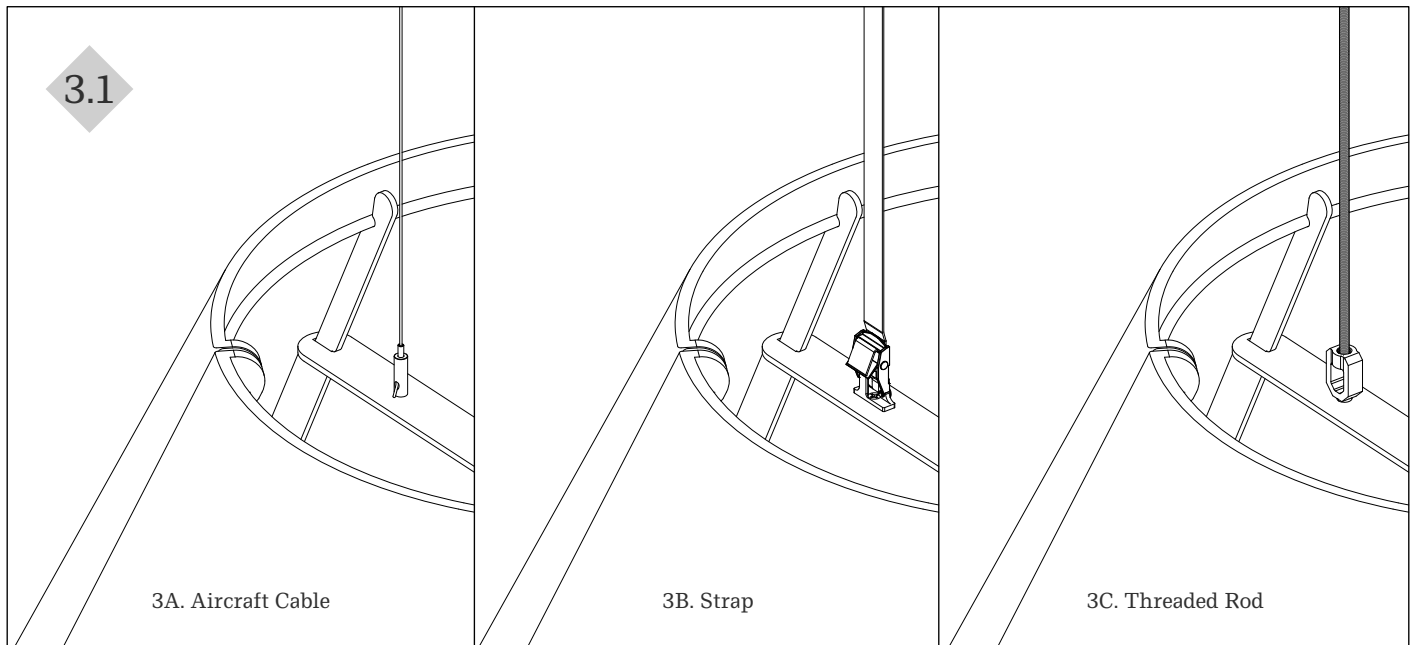
# CEILING SIDE Grid (Suspended)



- 2C.1** Measure the distance between the suspension points, then transfer this measurement onto the ceiling grid (not provided). Note: Clip selection (T-bar clip or twist clip) is determined by both the product's weight and the ceiling grid specifications.
- 2C.2** Slide the main section of the T-bar clip onto the ceiling grid (not provided). Insert the secondary section and snap it into place to secure both parts. Alternatively, align the twist clip with the ceiling grid and rotate until it locks firmly in place.
- 2C.3** Secure the coupler (with or without canopy) to the T-bar clip or twist clip followed by tightening.

## STEP 3

# FIXTURE SIDE



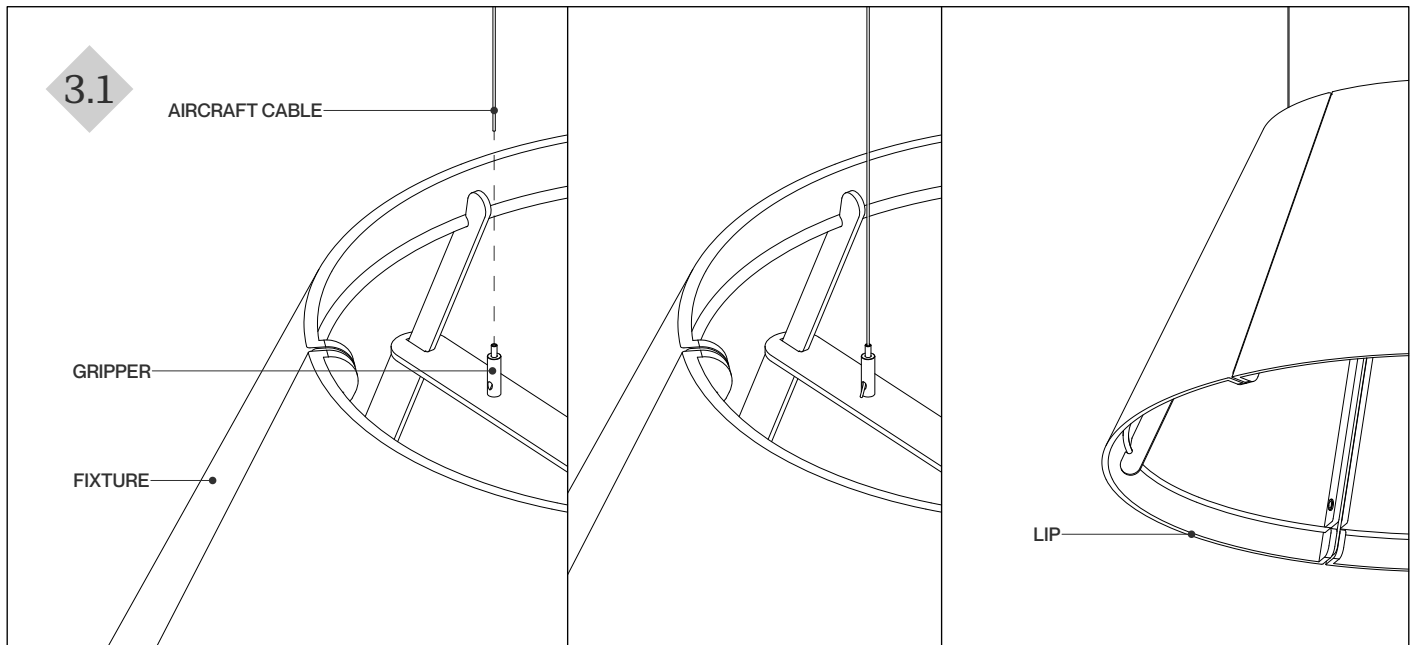
## 3.1

To properly install the fixture reference 3A-3C to complete the installation depending on the suspension type.

## STEP 3A

# FIXTURE SIDE

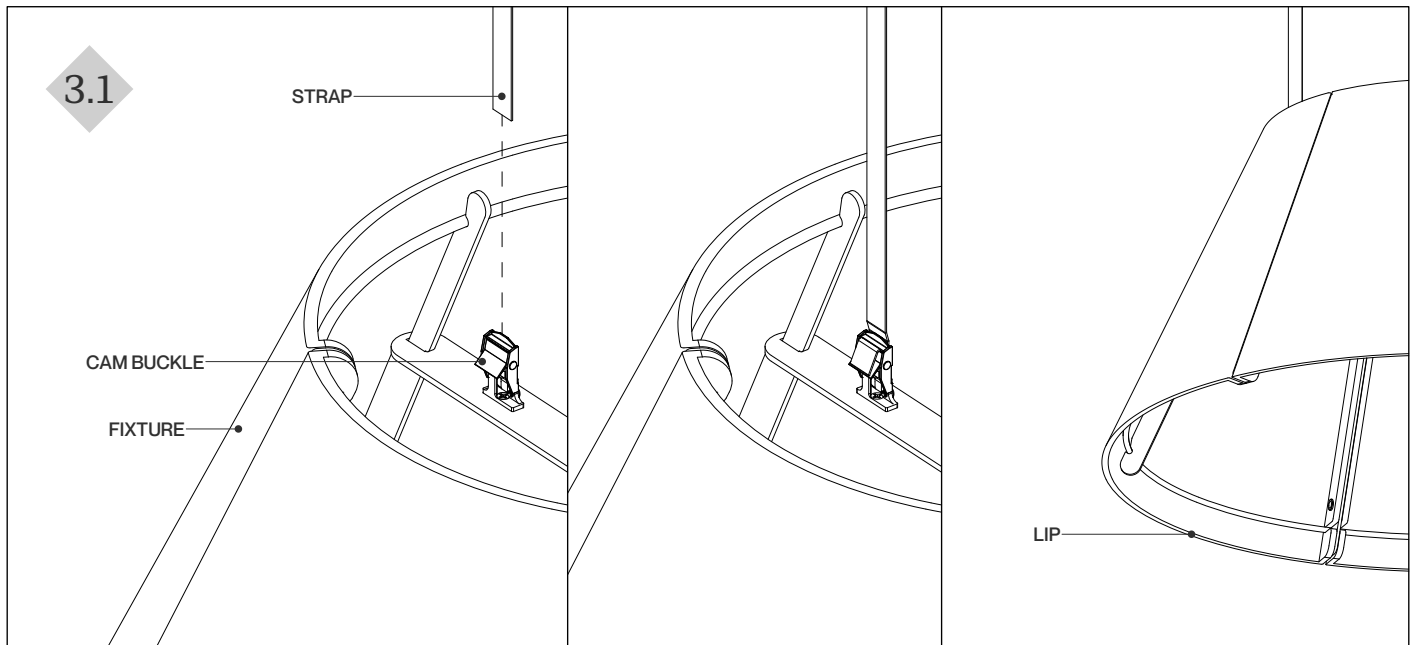
## Aircraft Cable



**3A.1** From the top of the fixture, insert each aircraft cable into the gripper until the desired height is achieved.  
Note: Do not handle fixture by the lip.

## STEP 3B

# FIXTURE SIDE Strap



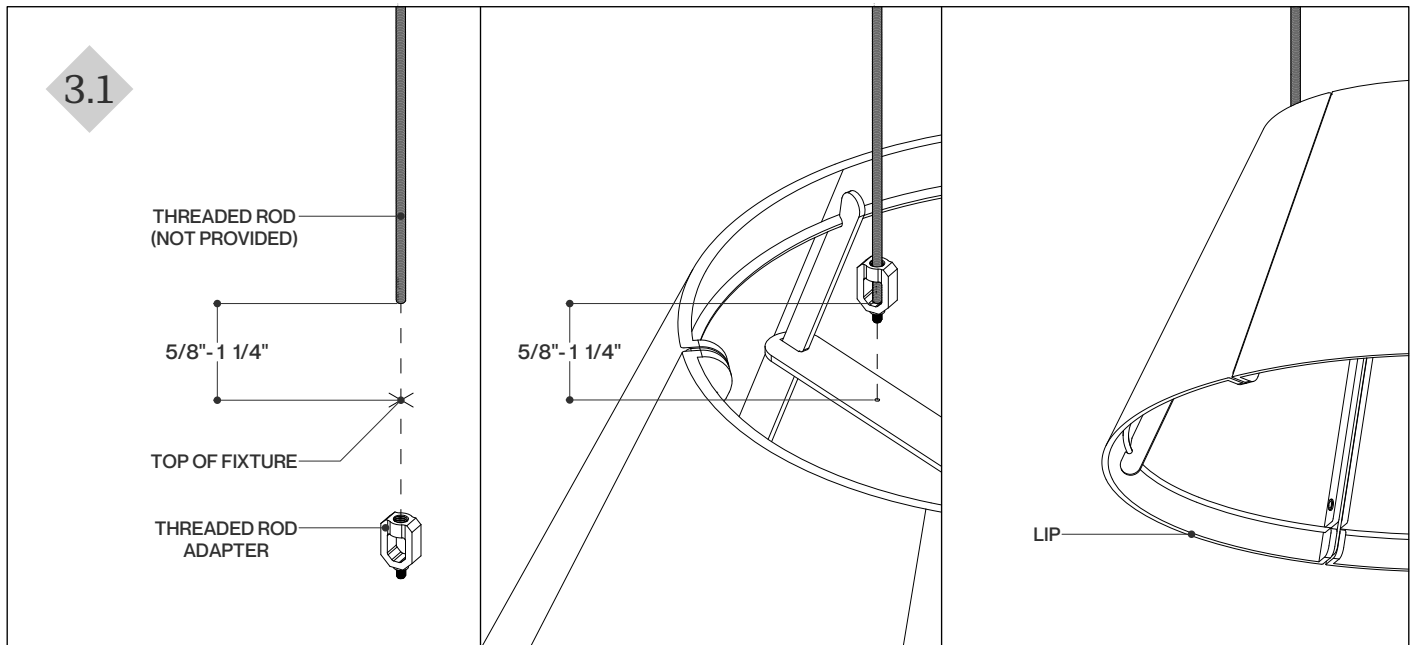
### 3B.1

From the top of the fixture, insert each strap into the cam buckle until the desired height is achieved.  
Note: Do not handle fixture by the lip.

## STEP 3C

# FIXTURE SIDE

## Threaded Rod

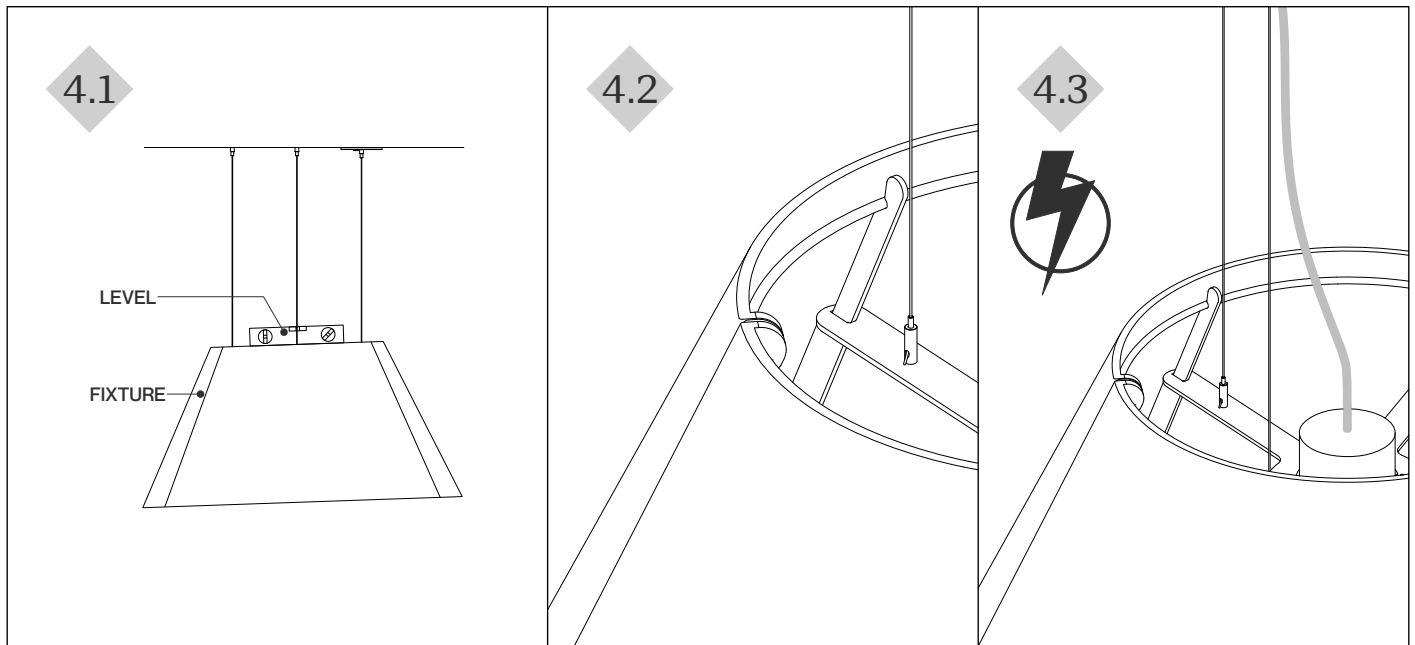


**3C.1** Install 3/8" threaded rod (not provided) to above structure. The bottom end of the threaded rod should be between 5/8" - 1 1/4" above the top of the fixture. Thread the threaded rod adapter on to the threaded rod to the maximum depth possible.

**3C.2** Lift fixture until the 10-32 standoff and the threaded rod adapter meet. Proceed to unthread adapter from threaded rod (not provided). As you do, the adapter will engage with the 10-32 standoff. Continue until adapter is flush against the fixture.  
Note: Do not handle fixture by the lip.

## STEP 4

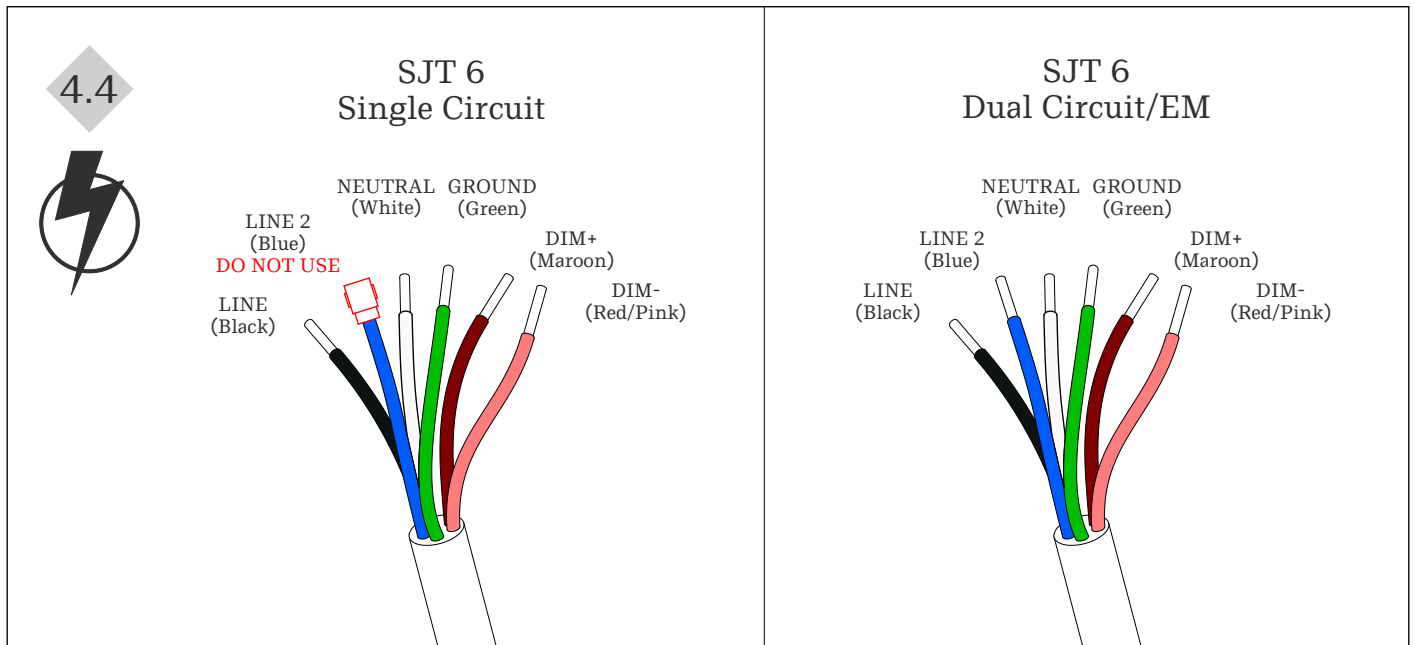
# FINAL STEPS



- 4.1** Level fixture.
- 4.2** If necessary cut the excess aircraft cable off.
- 4.3** If the fixture includes lighting, ensure all wiring connections are made in accordance with local and national electrical codes. Note: Each cord should include an identification card. If the card is missing, refer to the wire color diagram on the following page.

## STEP 4

# FINAL STEPS (CONT.)



## 4.4

For SINGLE CIRCUIT fixtures, the blue wire is terminated with a red cap and should not be connected. For DUAL CIRCUIT/EM fixtures, the blue wire is active and must be connected as part of the circuit.

# SABIN